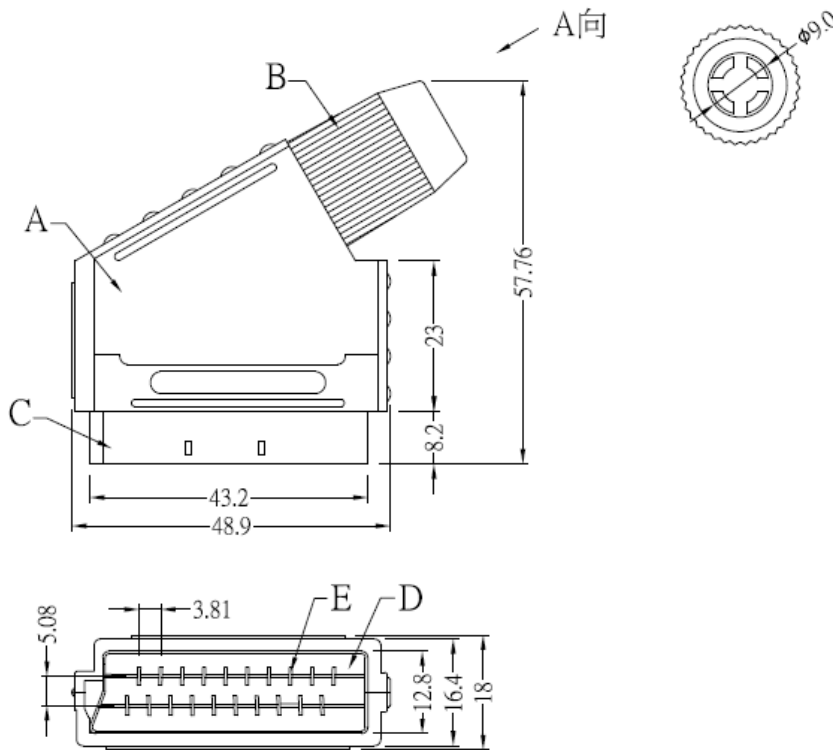


Datasheet

Right Angle Cable Mount Male Scart Connector

RS Stock number [410-965](#)

Dimensions(mm):



No.	Description	Unit	Material	Finish/Colour
A	Shell	1	PP	
B	Whorl Cap	1	PP	
C	Frame	1	Tinplate	Tinned Sheet Iron
D	Rubber Core	1	PBT	
E	Pin	20	Bronze	Nickel-plating