



Ordering number CA12881_MINNIE-M

Family	Minnie	FWHM	18 degrees
Type	Assembly	Efficiency	89 %
LED	MK-R	cd/lm	3.600
Color	Black	Gerber File	Available
Diameter	35 mm		
Height	15.8 mm		
Style	Round		
Optic Material	PC		
Holder Material	PC		
Fastening	Tape		
Status	Ready		

Ordering number CA12882_MINNIE-W

Family	Minnie	FWHM	28 degrees
Type	Assembly	Efficiency	89 %
LED	MK-R	cd/lm	2.000
Color	Black	Gerber File	Available
Diameter	35 mm		
Height	15.8 mm		
Style	Round		
Optic Material	PC		
Holder Material	PC		
Fastening	Tape		
Status	Ready		

NOTE: The typical divergence will be changed by different color, chip size and chip position tolerance. The typical total divergence is the full angle measured where the luminous intensity is half of the peak value.



PRODUCT DATASHEET

Minnie series

last update 4/2/2013

GENERAL INFORMATION

- Product series especially designed & optimized for MK-R series of LEDs.
 - Special care taken to make light distribution as uniform as possible.
 - Reflector is made of aluminium coated PC (120 degrees of Celcius / 248 degrees of Fahrenheit) with protective lacquer (110 degrees of Celcius / 230 degrees of Fahrenheit).
 - Optic holder molded by high quality PC material (120 dergees of Celcius / 248 degrees of Fahrenheit).
- Fastening to heat sink with a PU foam adhesive tape of automotive grade. Please find fastening details by clicking link: http://www.ledil.com/datasheets/DataSheet_TAPE.pdf

NOTE 1: We advise customer to ensure the suitability and sufficiency of the bond in the end product. For example, mechanical stress, vibration and holes on the surface of the circuit board weaken the strength of the tape.

NOTE 2: Assembly to the surface must be made straight, so the tape bonds constant and balanced with fastening surface. Slanted assembly might cause unbalanced bond to the surface. All surfaces where tape is applied must be clean, dry and free from grease and dirt.

If cleaning of PCB surfaces is needed, please follow strictly the cleaning instructions of your LED manufacturer - this is important as cleaning shall under no circumstances damage LEDs or other electronics components on the PCB.

Further note that optical components shall not be cleaned with any chemicals - only micro fiber cloth may be used to remove fingerprints or other traces from handling.

D

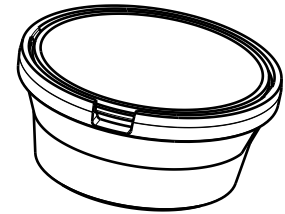
C

B

A

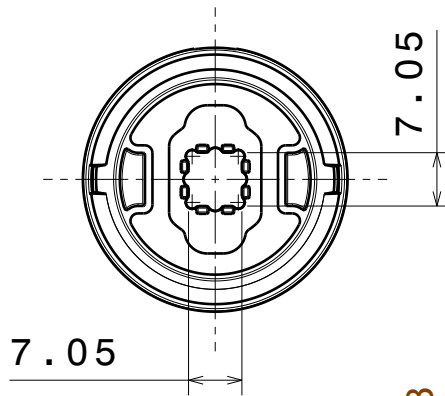
4

4

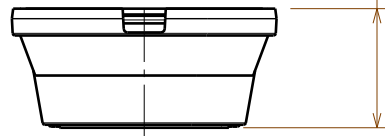


Isometric view

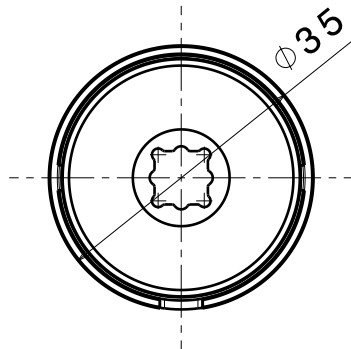
Bottom view



Front view



Top view



3

3

2

2

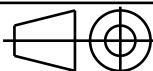
INDEX	PART NO	DESCRIPTION	MATERIAL	COLOUR
1	-	MINNIE_LUXEON-M_ASSEMBLY	Ref1 and holder PC, Tape PU foam	

Tolerances if not otherwise shown
According to DIN ISO 2768-1
Linear measures:
Up to 30mm class F, otherwise class M.
According to DIN ISO 2768-2
Form and position: class K

LEDiL

Ledil Oy
Salorankatu 10
FIN 24240 SALO
Finland

THIRD ANGLE PROJECTION:



DRAWING TITLE

MINNIE_LUXEON-M_ASSEMBLY

This drawing is the property
of LEDiL Oy. It may not be
reproduced, copied or
communicated without a written
agreement with LEDiL Oy."

SIZE PART NUMBER

A4

-

SCALE 1:1 WEIGHT

-

SHEET 1/1

D

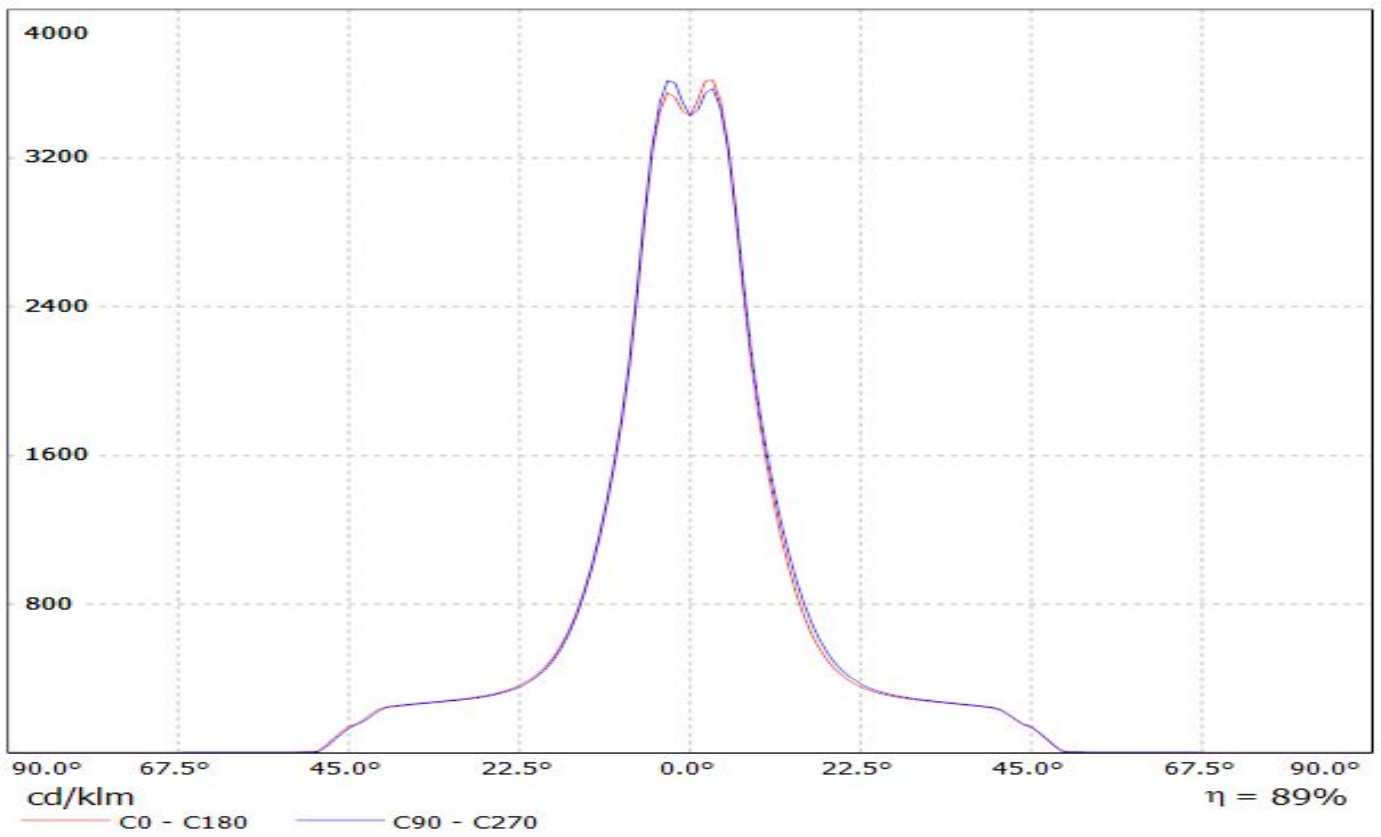
A

1

1

LEDiL Oy CA12881_MINNIE-M_(MKR) Eff.89.3% / LDC (Linear)

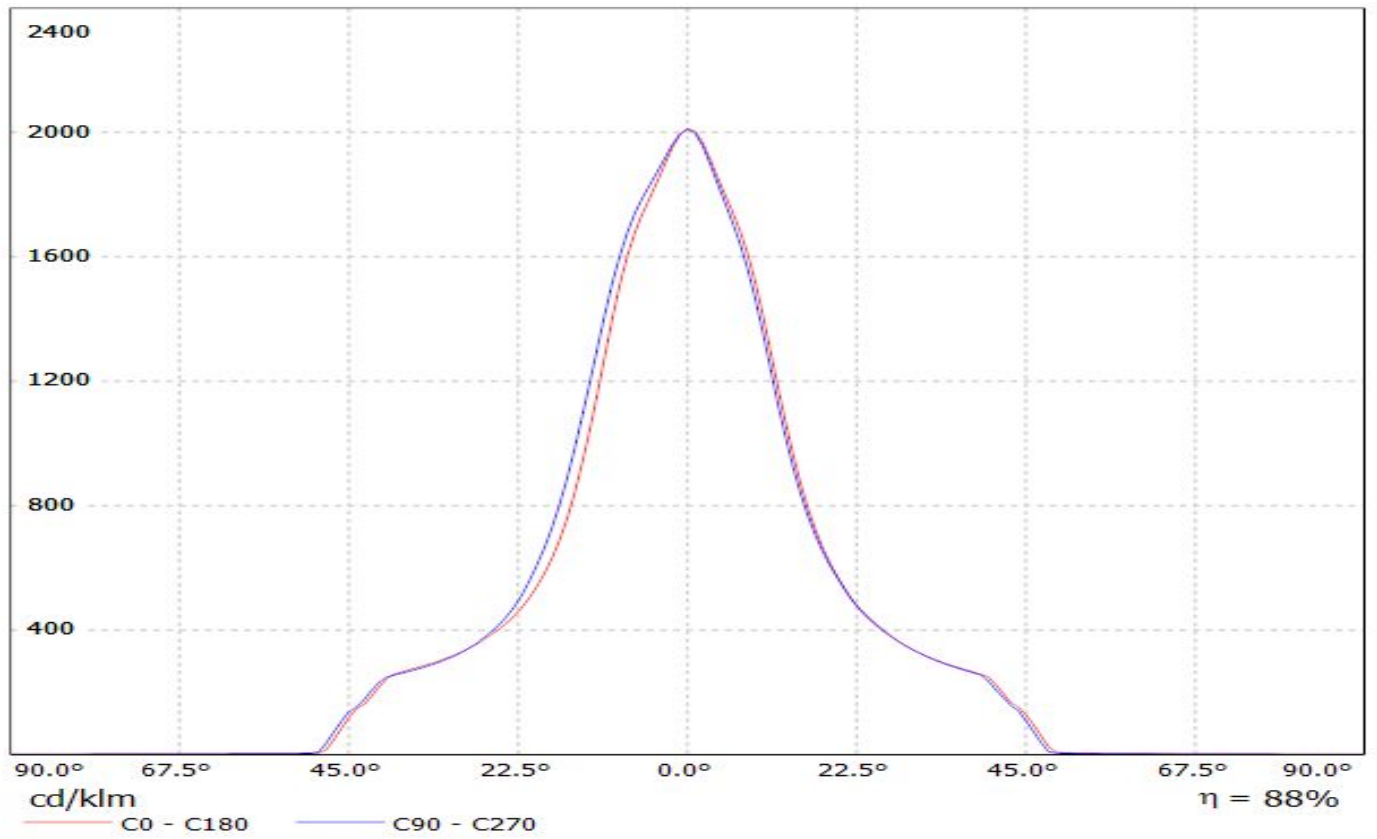
Luminaire: LEDiL Oy CA12881_MINNIE-M_(MKR) Eff.89.3%
Lamps: 1 x CREE_MKR (368.505lm@250mA)



LEDiL Oy CA12882_MINNIE-W_(CREE_MKR) Eff.88.2% / LDC (Linear)

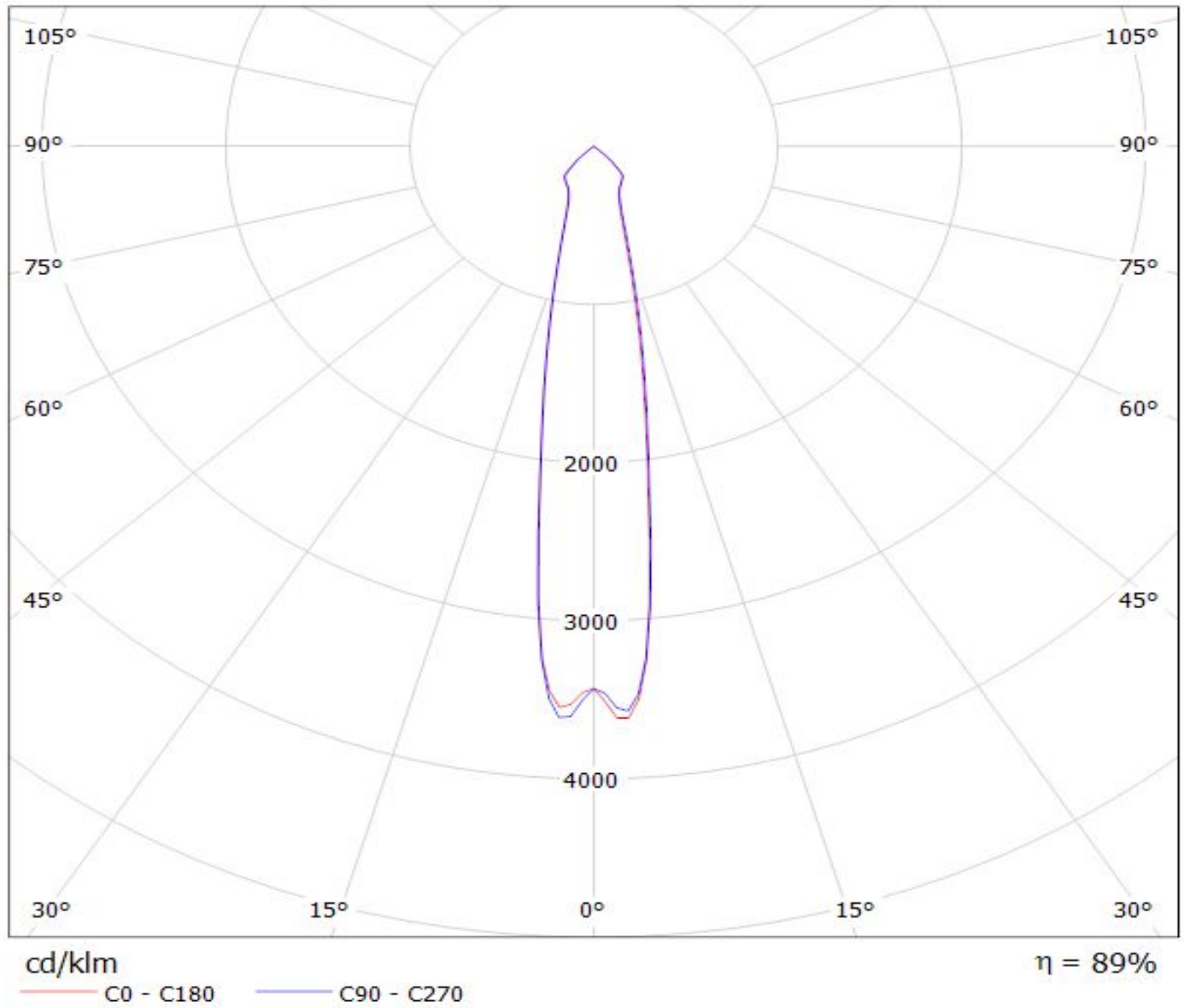
Luminaire: LEDiL Oy CA12882_MINNIE-W_(CREE_MKR) Eff.88.2%

Lamps: 1 x CREE_MKR (368.505lm@250mA)



LEDiL Oy CA12881_MINNIE-M_(MKR) Eff.89.3% / LDC (Polar)

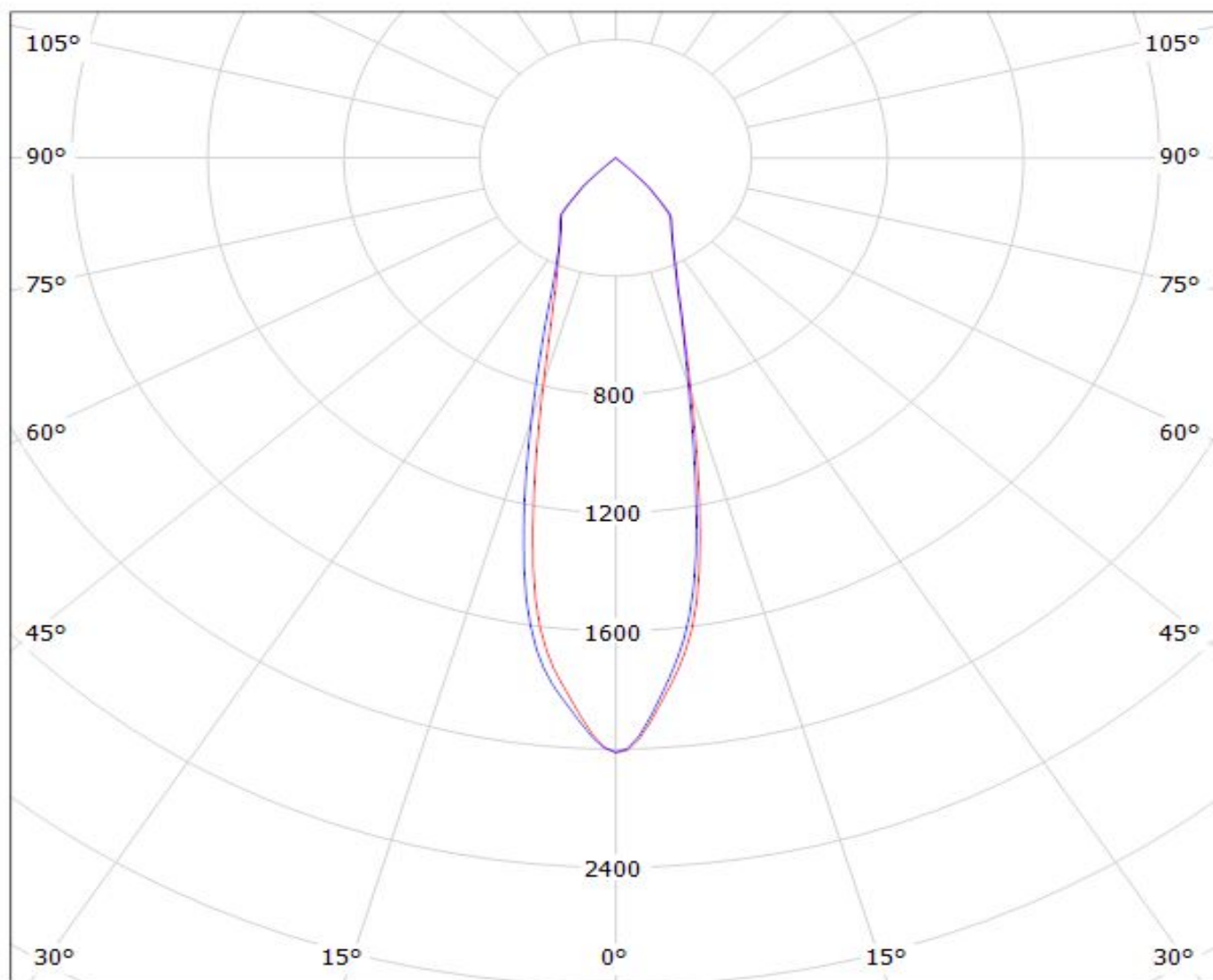
Luminaire: LEDiL Oy CA12881_MINNIE-M_(MKR) Eff.89.3%
Lamps: 1 x CREE_MKR (368.505lm@250mA)



LEDiL Oy CA12882_MINNIE-W_(CREE_MKR) Eff.88.2% / LDC (Polar)

Luminaire: LEDiL Oy CA12882_MINNIE-W_(CREE_MKR) Eff.88.2%

Lamps: 1 x CREE_MKR (368.505lm@250mA)



cd/klm

$\eta = 88\%$

— C0 - C180 — C90 - C270