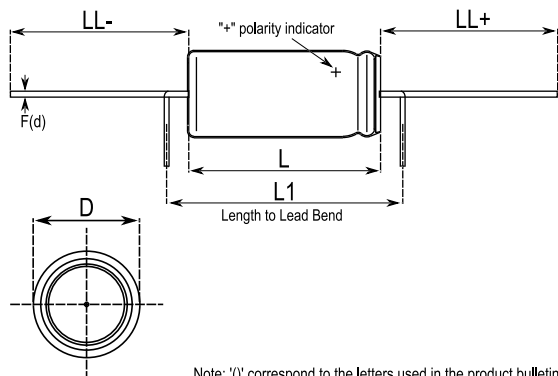


Capacitor, Aluminum, 3.3 uF, -10/+30% Tol, -40/+105C, 450 VDC@105C



Dimensions (mm)		
Symbol	Dimension	Tolerance
D	10	+/-0.5
L	29	+/-1
L1	35	MIN
LLPos	42	+3/-2
LLNeg	42	+3/-2
F	0.8	+/-0.03

Notes:

-L1 is KEMETs recommendation for minimum distance between symmetrical Lead bend. Available only for Customer specific part numbers. Lead bend dimensions must be specified and confirmed per article.

General Information	
Supplier:	KEMET
Application:	105C
Part Type Description:	Long Life Axial Aluminum Electrolytic
Lead Type:	Wire Leads
Weight:	4 g
RoHS:	Yes

Specifications	
Capacitance:	3.3 uF
Voltage:	450 VDC
Tolerance:	-10/+30%
Rated Temperature:	105C
Temperature Range:	-40/+105C
Life:	8000 Hrs
Leakage Current:	4 uA
Leakage Condition:	uAmps (5min 20C)
Inductance:	6 nH (ESL)
Resistance/ESR:	17000 mOhms (100Hz 20C)
Resistance/ESR:	7300 mOhms (100kHz 20C)
Current/Ripple Current:	0.055 Amps (100Hz 125C)
Current/Ripple Current:	0.38 Amps (5kHz 60C)
Current/Ripple Current:	0.14 Amps (5kHz 125C)
Miscellaneous:	Life Calculation Based On Maximum Ripple Current, Please Contact Kemet For More Information

Packaging Specifications	
Package Kind:	Bulk
Package Quantity:	200