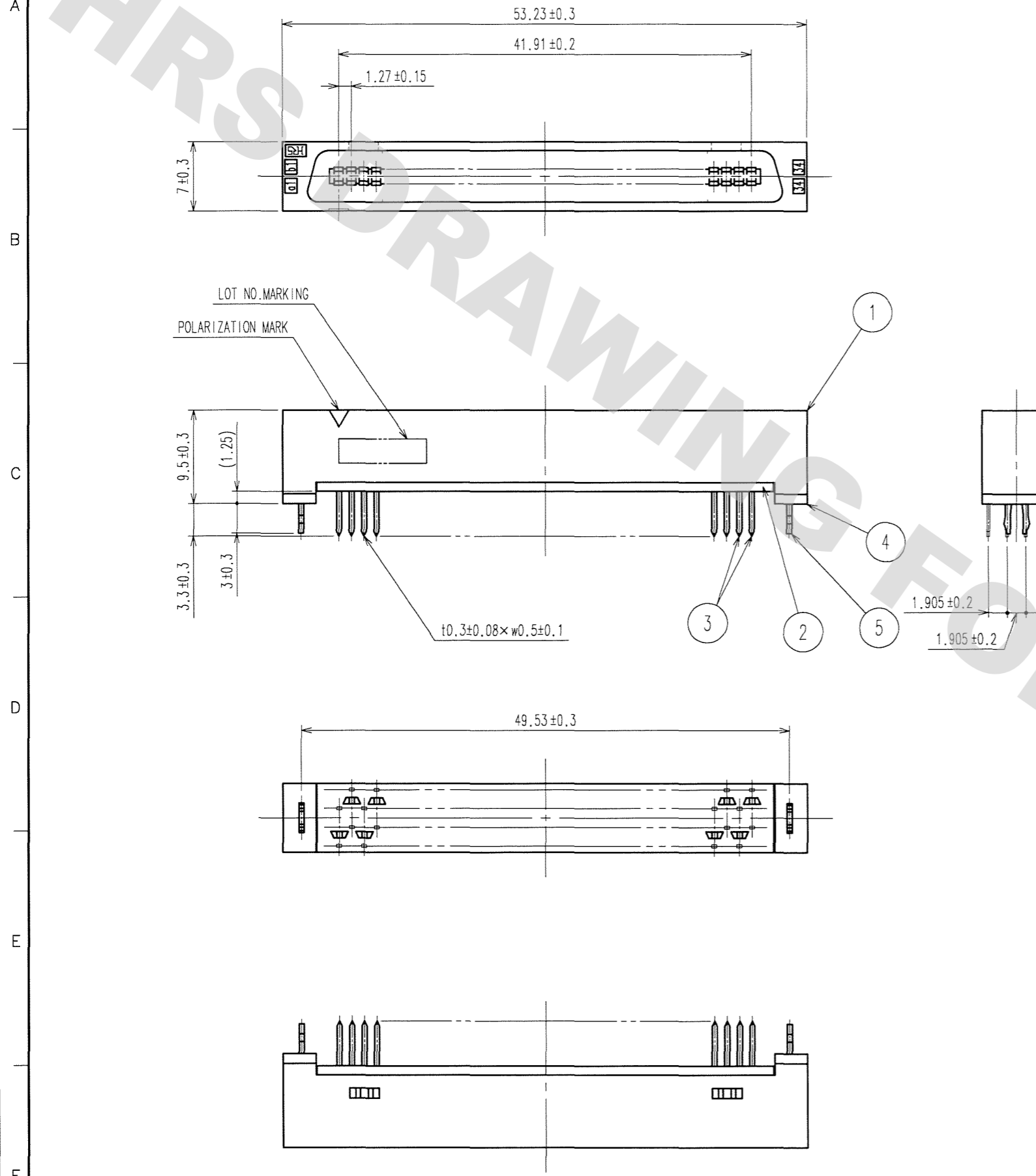


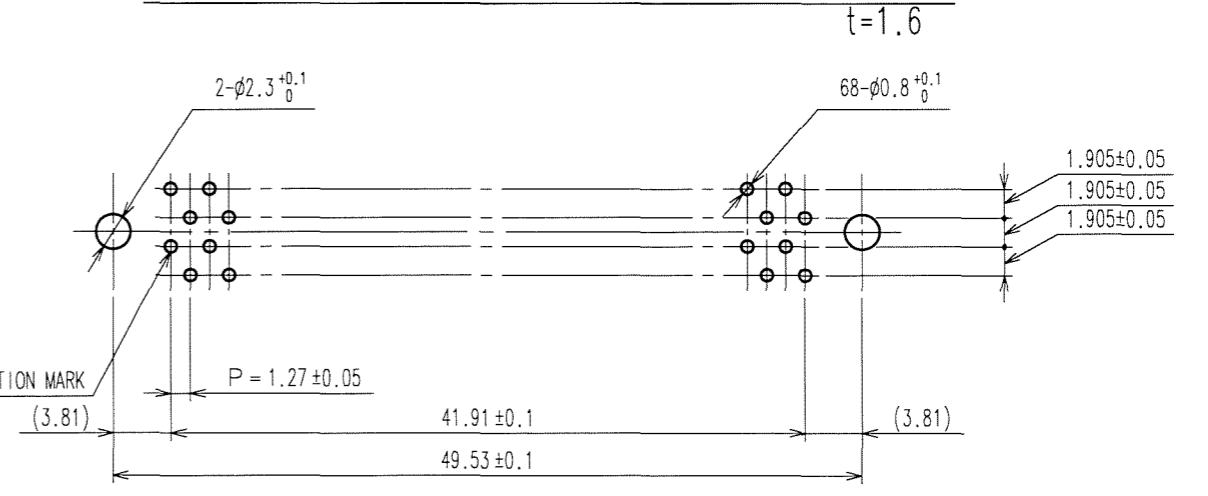
DRAWING FOR REFERENCE: This is subject to change without notice
08/11/2012

TO
PCK

COUNT	DESCRIPTION OF REVISIONS	BY	CHKD	DATE	COUNT	DESCRIPTION OF REVISIONS	BY	CHKD	DATE



RECOMMEND PC BOARD HOLE PATTERN (MOUNTING SIDE)



NOTES 1. THE DIMENSIONS IN PARENTHESES ARE FOR REFERENCE.

5	PHOSPHOR BRONZE	TIN-PLATING							CONTACT AREA:GOLD 0.2 μ m min
4	POLYAMIDE	BLACK	UL94V-0		3	PHOSPHOR BRONZE			DIP AREA:TIN-PLATING 2 μ m min
1,2	POLYAMIDE	BLACK	UL94V-0						UNDER PLATING:NICKEL 2 μ m min
NO.	MATERIAL	FINISH, REMARKS			NO.	MATERIAL	FINISH, REMARKS		
CODE NO. (OLD) CL				DRAWN	DESIGNED	CHECKED	APPROVED	RELEASED	
				K.NAKAMURA	K.NAKAMURA	J.C. Ozawa	H. Okawa		
				07.05.17	07.05.17	'07.05.18	'07.05.18		
DRAWING NO. EDC3-083160-21		PART NO. FX2CA1-68P-1.27DSAL (71)							
SCALE 2:1		UNITS mm			CODE NO. CL572-2366-8-71			1/1	
HRS		HIROSE ELECTRIC CO., LTD							

HIP