



## Door coupl.rot.handle,lock.on handle+sw



Powering Business Worldwide™

**Part no.** NZM1-XTVDV  
**Article no.** 260172

Complete including rotary drive and coupling parts

An additional extension shaft is necessary with the NZM...-XT(V)D(V)(R)(-60) types.

Degree of protection IP66, UL/CSA Type 4X, Type 12

### Program

Function			Standard, black/grey
Protection class			IP66 UL/CSA Type 4X, Type 12
Locking facility			lockable on the handle on the switch using up to 3 padlocks lockable in 0 position on handle lockable on the 0 position on the switch using up to 3 padlocks can also be modified in I position With door interlock
Door interlock			Not defeated in the locked OFF and ON positions Can be modified in the unlocked ON position Can be modified such that it can be defeated from the outside using a screwdriver Door can be opened in OFF
Project planning information			External warning plate/designation label can be clipped on. Complete including rotary drive and coupling parts
For use with			NZM1(-4), PN1(-4), N(S)1(-4)
lockable			Double
<b>Notes</b>			
Circuit-breaker can also be installed in a lying position 90 ° left/right, with the handle still in the same position.			

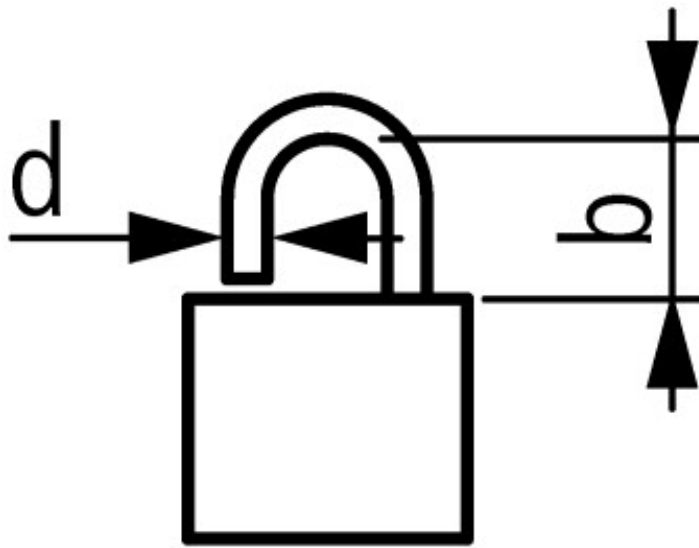
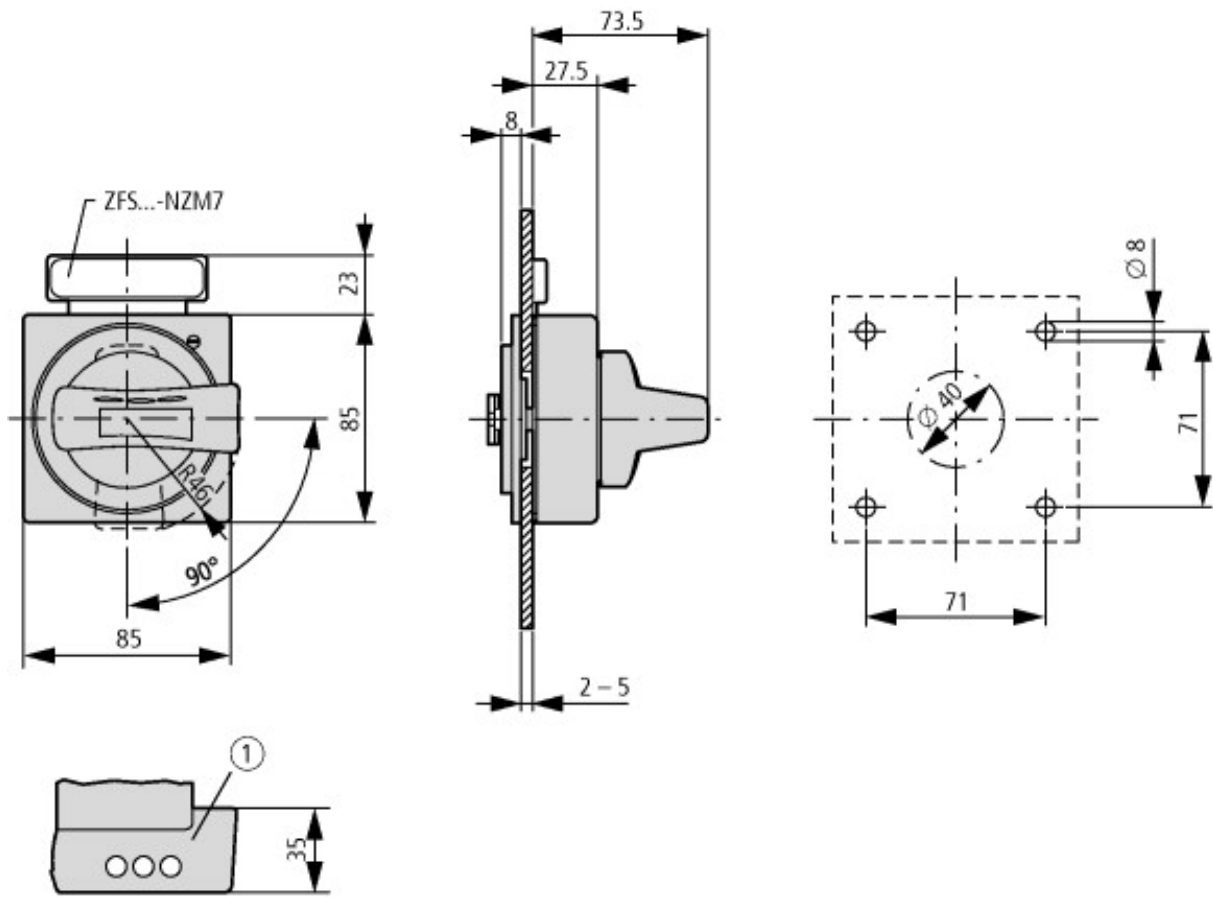
### Approbationen

Product Standards	UL489; CSA-C22.2 No. 5-09; IEC60947, CE marking
UL File No.	E140305
UL CCN	DIHS
CSA File No.	022086
CSA Class No.	1437-01
NA Certification	UL listed, CSA certified
Degree of Protection	IEC: IP66, UL/CSA Type 4X, 12

### Technical data according to ETIM 4.0

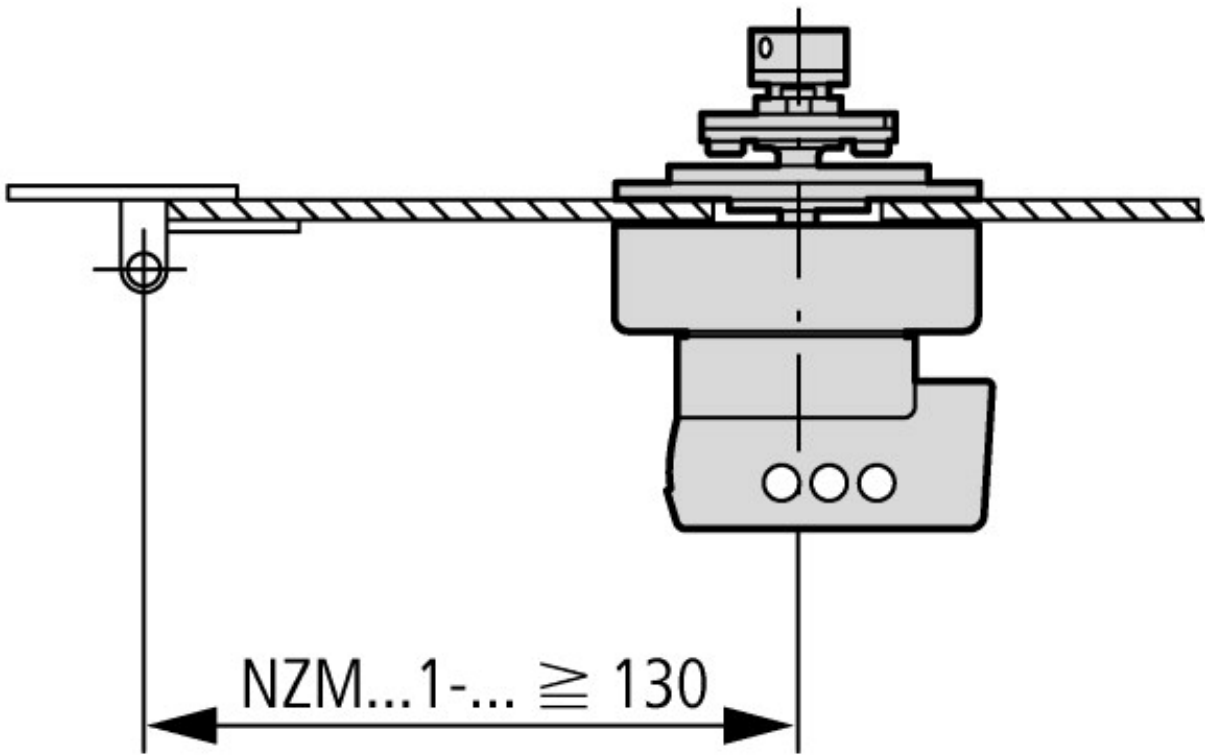
Suitable for switch-disconnector			YES
Suitable for circuit-breakers			YES
With shaft			No
Suitable for emergency switching off			No
Lockable			YES
Color			black

### Dimensions



$$d = 4 - 8$$

$$b \geq 34$$



Minimum door coupling rotary handle clearance from door pivot point

#### Additional product information (links)

IL01203005Z (IL01203005Z) Door coupling rotary handle	<a href="ftp://ftp.moeller.net/DOCUMENTATION/AWA_INSTRUCTIONS/IL01203005Z2010_11.pdf">ftp://ftp.moeller.net/DOCUMENTATION/AWA_INSTRUCTIONS/IL01203005Z2010_11.pdf</a>
Installation Instructions	<a href="http://www.moeller.net/en/support/instructions_awa.jsp">http://www.moeller.net/en/support/instructions_awa.jsp</a>
Documentation	<a href="http://www.moeller.net/en/support/index.jsp">http://www.moeller.net/en/support/index.jsp</a>