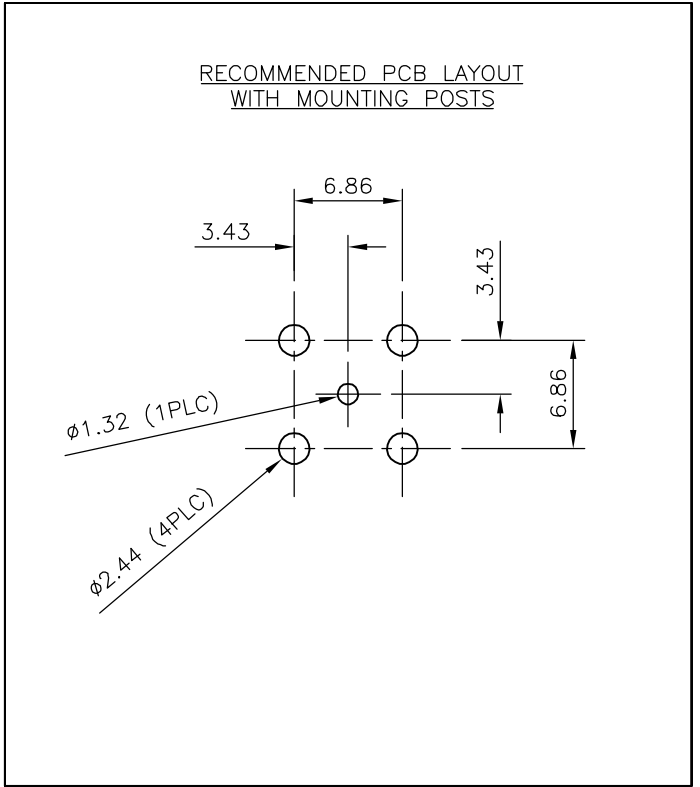
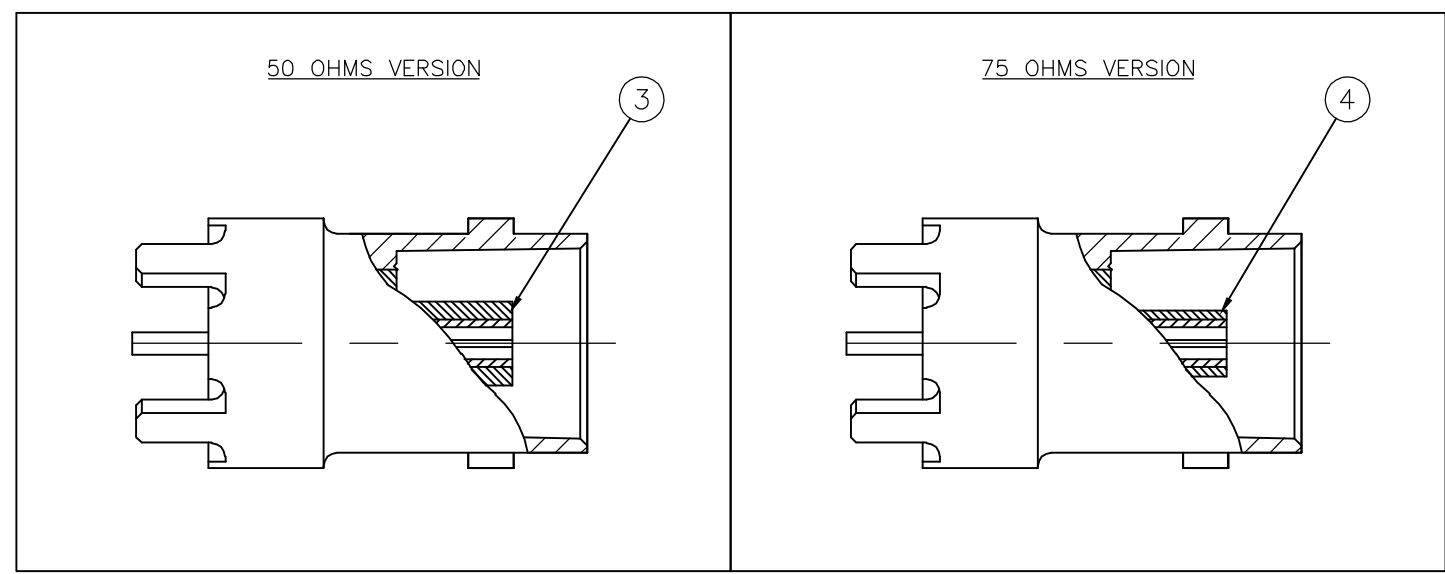
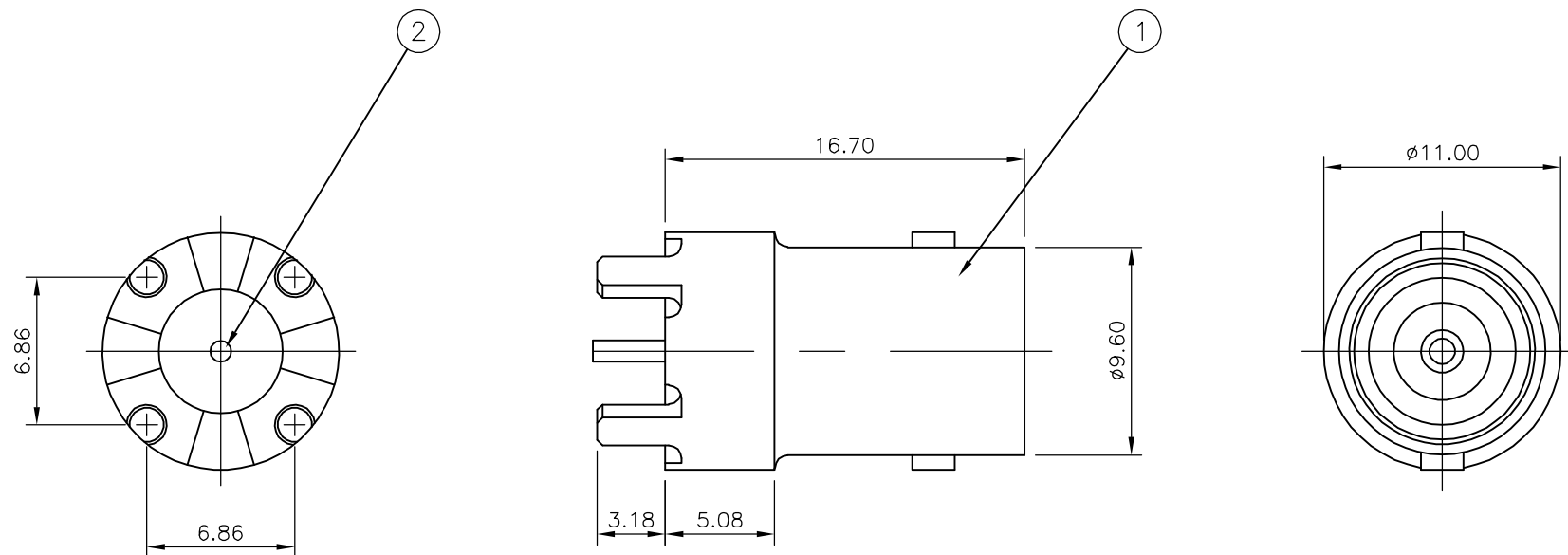


LOC	DIST	REVISIONS					
E	B	P	LTR	DESCRIPTION	DATE	DWN	APVD
		A		FIRST ISSUE	10OCT05	JMS	FWK

NOTES

- ① 100 TRAY PACK IN ACCORDANCE WITH AMP SPEC 107-3275
 - ② SINGLE PACK IN ACCORDANCE WITH AMP SPEC 107-3275
 - ③ Au PLATING
 - ④ Ni PLATING
5. CHARACTERISTICS
- | | |
|-------------------------------|----------------|
| FREQUENCY RANGE (50 OHMS): | DC-4GHz |
| FREQUENCY RANGE (75 OHMS): | DC-2GHz |
| INSULATION RESISTANCE: | 5000 MOHMS |
| WORKING VOLTAGE: | 500V |
| DIELECTRIC WITHSTAND VOLTAGE: | 1500V RMS |
| TEMPERATURE RATE: | -55°C TO +85°C |
| CONTACT RESISTANCE: | 3 mOHMS |
6. MECHANICAL CHARACTERISTICS
- | | |
|-------------|-----------|
| DURABILITY: | 50 CYCLES |
|-------------|-----------|



QTY	1	1	-	-	TPX	INSULATOR	4
	-	-	1	1	TPX	INSULATOR	3
	1	1	1	1	PHOS BRONZE	③ CONTACT	2
	1	1	1	1	ZINC ALLOY	④ BODY	1
	5--3	5--2	5--1	5--0	MATERIAL	DESCRIPTION	ITEM
	①	②	③	④			

THIS DRAWING IS A CONTROLLED DOCUMENT.		DWN	J.SANDWELL	10OCT05	Tyco Electronics Corporation Bideford, UK, EX39 4HE		
DIMENSIONS: mm		CHK	S.PARLOW	10OCT05			
TOLERANCES UNLESS OTHERWISE SPECIFIED:		APVD	F.WHEELER-KING	10OCT05	NAME		
0 PLC ± -		PRODUCT SPEC		BNC STRAIGHT PCB SOCKET			
1 PLC ± -		APPLICATION SPEC		-			
2 PLC ± -		WEIGHT		-			
3 PLC ± -		SIZE		A3	CAGE CODE		
4 PLC ± -		FINISH		-			
ANGLES ± -		DRAWING NO		G-1634506			RESTRICTED TO
MATERIAL		CUSTOMER DRAWING		SCALE		NTS	SHEET 1 OF 1
						REV	A