

QPD W 3PE2,5 6-10 M25 1,0 BK

Order No.: 1582160



QUICKON panel feed-through, black, 3-pos. + PE, 1.0 mm²... 2.5 mm² / 690 V / 20 A, with QUICKON nut, for cable diameters of 6 mm ... 10 mm, with four welded-on 2.5 mm² line wires, 1.0 m long, cut flat at the end.

Commercial data

GTIN (EAN)	4046356316835
sales group	D073
Pack	1 pcs.
Customs tariff	85366990
Weight/Piece	0.16532 KG
Catalog page information	Page 389 (PC-2009)

Product notes

WEEE/RoHS-compliant since:
09/19/2007



<http://www.download.phoenixcontact.com>
Please note that the data given here has been taken from the online catalog. For comprehensive information and data, please refer to the user documentation. The General Terms and Conditions of Use apply to Internet downloads.

Technical data**General characteristics**

Design	QPD 4x2,5
Color	black
Locking type	Screw locking

Connection method	QUICKON connection
Type of connection	IDC connection
Number of positions	4
Note number of positions	3+PE
Wrench size, union nut	22 mm
Tightening torque, union nut	5 Nm
Tightening torque, counter nut	5 Nm
Wrench size, counter nut	27 mm
Number of connections	10
Conductor cross section stranded min.	1.5 mm ²
Conductor cross section stranded max.	2.5 mm ²
Conductor cross section solid min.	1 mm ²
Conductor cross section solid max.	1.5 mm ²
Conductor cross section AWG/kcmil min.	16
Conductor cross section AWG/kcmil max	14

Conductor data

Structure of individual litz in acc. with VDE 0295 / smallest wire diameter	VDE 0295 class 1 to 6 / min. 0.15 mm
Wire insulation material	PVC / PE
Wire diameter including insulation	2.5 mm ... 3.8 mm
External cable diameter	6 mm ... 10 mm

Environmental conditions

Degree of protection	IP68, 24 h / 2 m
Ambient temperature (operation)	-40 °C ... 80 °C
Ambient temperature (storage/transport)	-40 °C ... 80 °C
Temperature when conductor connected	-5 °C ... 50 °C

Electrical characteristics

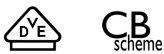
Nominal current I_N	20 A
Rated current	20 A
Rated voltage (III/3)	690 V
Rated voltage (III/2)	1000 V
Rated voltage (II/2)	1000 V
Rated surge voltage (III/3)	6 kV
Rated surge voltage (III/2)	8 kV
Rated surge voltage (II/2)	8 kV

Mechanical characteristics

QUICKON connectability	max. 10
------------------------	---------

Material data

Contact material	CuZn
Contact surface material	Tin-plated
Contact carrier material	PA
Insulating material	PA
Inflammability class acc. to UL 94	V0
Surge voltage category	III
Pollution degree	3

Certificates / Approvals

Certification CB, VDE-PZI

Accessories

Item	Designation	Description
------	-------------	-------------

Assembly

1640715	Q-MU M25	Nut (plastic) to lock the contact carrier from the inside of the device
---------	----------	---

General

0806932	GPE 13X 9 WH	Plastic label sheet, self-adhesive double layer plastic labels, square corners, material thickness: 0.8 mm, suitable for plotting and engraving, color: white
1582462	KV-DI-PG16-1XASI	Seal for one AS-i line, 17.2 x 9 mm, from NBR, black, for IP65/67 degree of protection
1582464	KV-DI-PG16-2XASI	Seal for two AS-i lines, 17.2 x 9 mm, from NBR, black, for IP65/67 degree of protection
1582150	QPD QSK 2,5	Protective cap made of transparent plastic for QPD QUICKON connection 4x 2.5 mm ² , IP54.
1582488	QPD QSK 2,5 FS	Plastic protective cap, for QPD-QUICKON connectors, green, with holding band, IP68

Marking

0819453	EMLP (13X9)R	Labels for thermal transfer printer
---------	--------------	-------------------------------------

Plug/Adapter

1582459	CP-QPD	Keying profile red, for pushing into the QUICKON dome and connector, can be positioned in 90° steps.
---------	--------	--

Protection and sealing elements

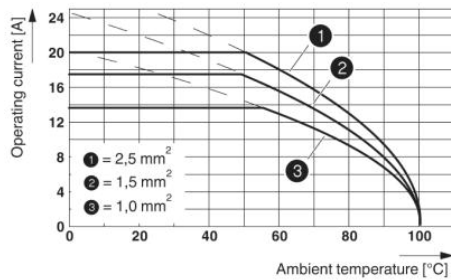
1400284	SEALING PLUG 10X16 RD	Closing cap, for closing unused bore holes in multiple seals and cable glands, diameter 10 mm
---------	-----------------------	---

Tools

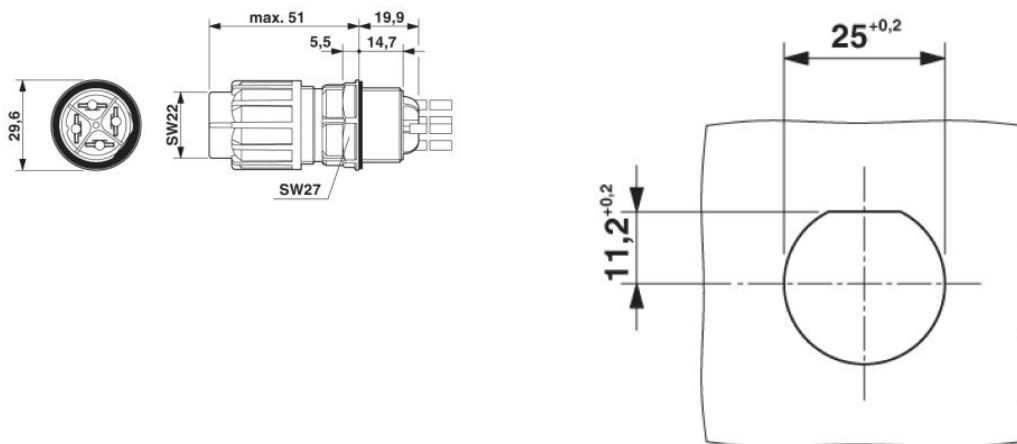
1670206	QSS 22	Allen wrench, for loosening and fastening the QUICKON union nut, WAF 22 mm
---------	--------	--

Diagrams/Drawings

Diagram



Dimensioned drawing



Address

PHOENIX CONTACT GmbH & Co. KG
Flachmarktstr. 8
32825 Blomberg, Germany
Phone +49 5235 3 00
Fax +49 5235 3 41200
<http://www.phoenixcontact.com>



© 2010 Phoenix Contact
Technical modifications reserved;
