

- o Flat Cable Connectors SEK
- o *har-mik®*
- o D-Sub
- o InduCom

Applications



Product details

09 18 550 5903 IDC male connector

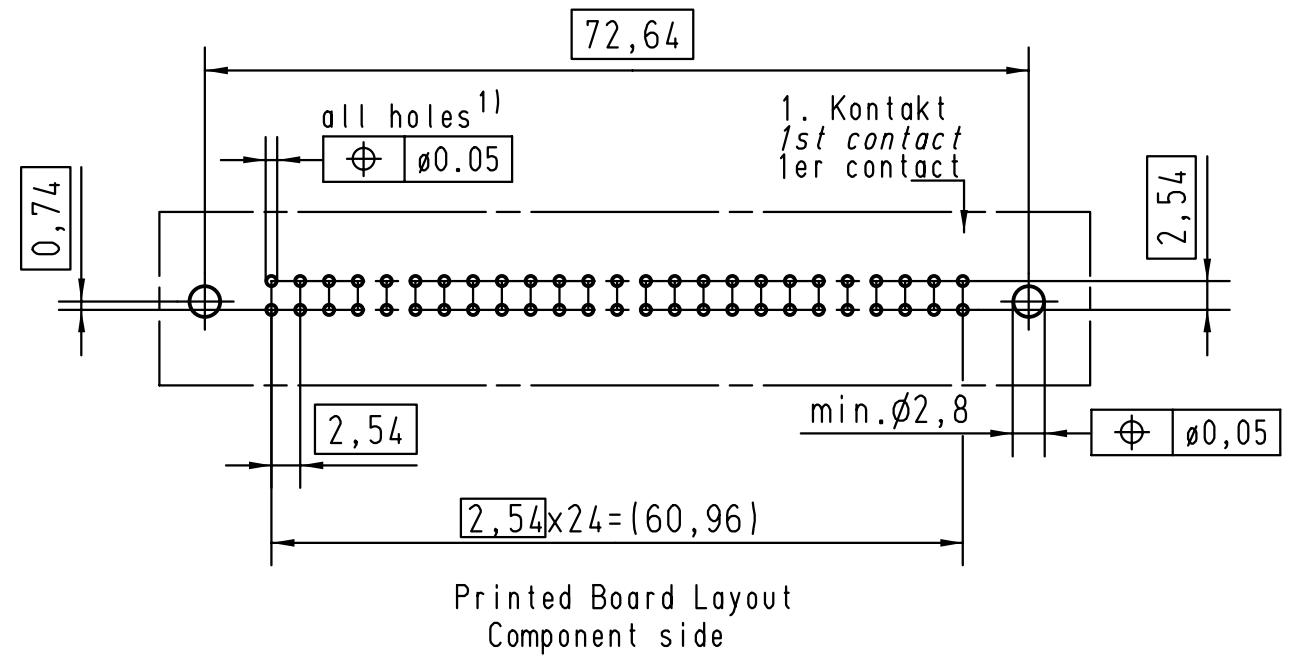
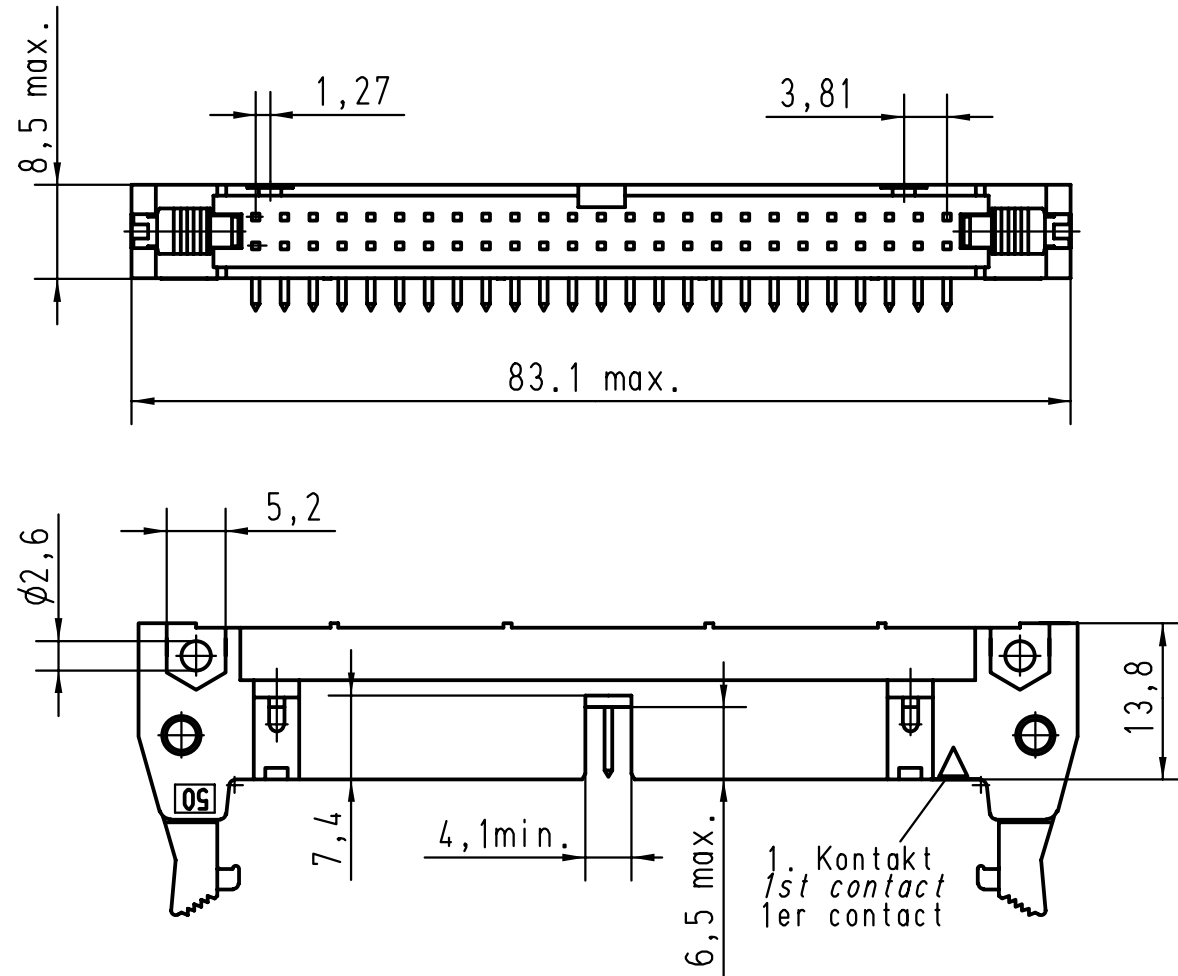
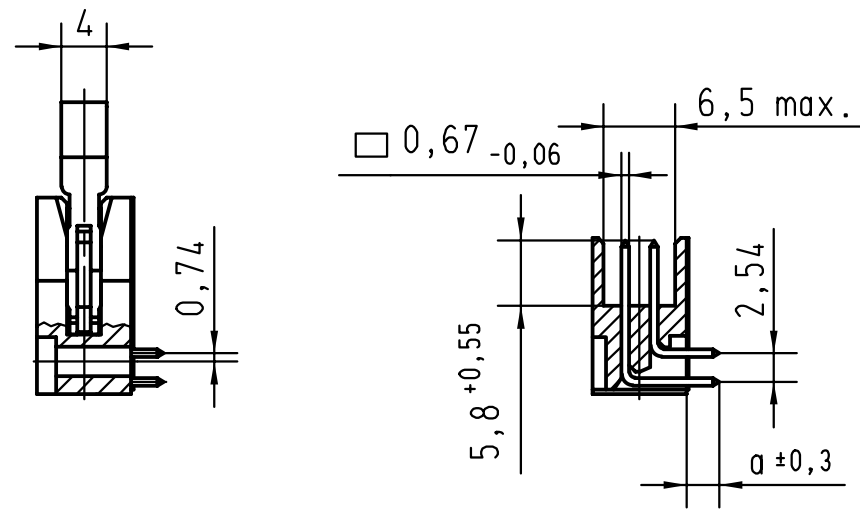
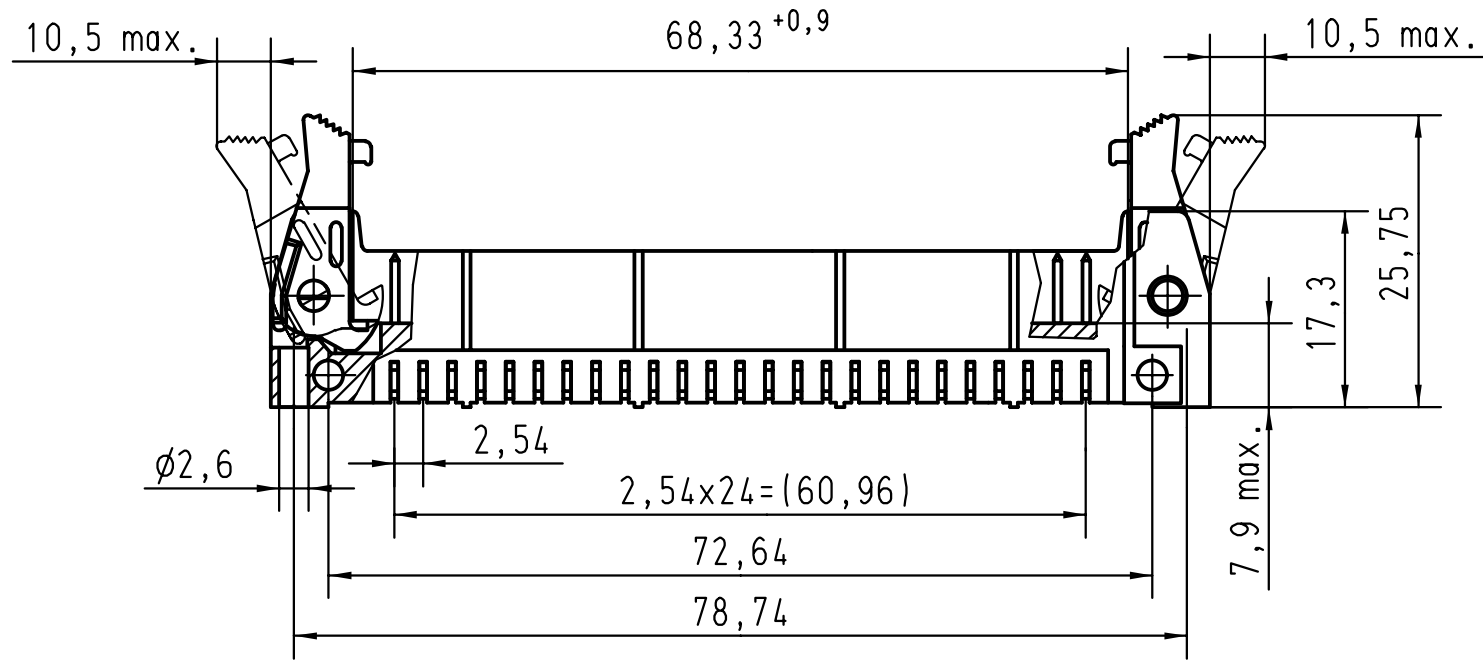
Connector size	50 contacts
Termination	Angled solder pin
Profile	Standard connector
Moulding	Standard Material
Termination length	2.9 mm
Lever	Long levers
P.C.B. retention clip	Without retention clip
Performance level	AU-0.76•m [30•Inch]
RoHS compliant	Yes

Available Downloads

Title	Format	
Data sheet	PDF	download
CAD data 2D	DXF	download
CAD data 3D	IGES	download

Inquiry

Alle Rechte vorbehalten/ All rights reserved



1) Einlötlötstifte passend für Lochungen
 $\phi 1 \pm 0.1$ nach IEC 60326-3
 Solder pins for PCB connections
 $\phi 1 \pm 0.1$ as per IEC 60326-3
 A souder pour des trous de $\phi 1 \pm 0.1$
 selon IEC 60326-3

09185507901	3	4,5	All Dimensions in mm Original Size DIN A 3	Techn. Character.			Nicht tolerierte Maßel / Free size tolerances																			
09185506901	2	4,5		<table border="1"> <tr> <td></td> <td>Dat.</td> <td>Name</td> <td rowspan="3">Maßstab/ Scale 1,5:1</td> <td rowspan="6"> SEK 18 Male Connector Standard 50 poles Angled pins Long locking levers </td> </tr> <tr> <td></td> <td>01-DEC-99</td> <td>Th</td> </tr> <tr> <td>29753</td> <td>11-MAR-02</td> <td>JB</td> </tr> <tr> <td></td> <td>03-DEC-01</td> <td>JMV</td> </tr> <tr> <td>29739</td> <td>03-DEC-01</td> <td>JB</td> </tr> <tr> <td></td> <td></td> <td></td> </tr> </table>				Dat.	Name	Maßstab/ Scale 1,5:1	SEK 18 Male Connector Standard 50 poles Angled pins Long locking levers		01-DEC-99	Th	29753	11-MAR-02	JB		03-DEC-01	JMV	29739	03-DEC-01	JB			
	Dat.	Name		Maßstab/ Scale 1,5:1	SEK 18 Male Connector Standard 50 poles Angled pins Long locking levers																					
	01-DEC-99	Th																								
29753	11-MAR-02	JB																								
	03-DEC-01	JMV																								
29739	03-DEC-01	JB																								
09185505901	0,76 μ m Au	4,5																								
09185507903	3	2,9																								
09185506903	2	2,9																								
09185505903	0,76 μ m Au	2,9																								
Bestell-Nr. Part-No. Reference	Anforderungsstufe performance level Niveau de qualite	a		<table border="1"> <tr> <td>27931</td> <td>15-JUNE-00</td> <td>JB</td> <td rowspan="3"> HARTING EURL F-95972 Paris </td> <td rowspan="3"> </td> <td rowspan="3"> TB 0918550x90x </td> <td rowspan="3"> Blatt/ page 2 / 2 </td> </tr> <tr> <td>26554</td> <td>01-DEC-99</td> <td>JB</td> </tr> <tr> <td>Mod.</td> <td>Dat.</td> <td>Name</td> </tr> </table>	27931	15-JUNE-00	JB	HARTING EURL F-95972 Paris		TB 0918550x90x	Blatt/ page 2 / 2	26554	01-DEC-99	JB	Mod.	Dat.	Name									
27931	15-JUNE-00	JB	HARTING EURL F-95972 Paris		TB 0918550x90x	Blatt/ page 2 / 2																				
26554	01-DEC-99	JB																								
Mod.	Dat.	Name																								