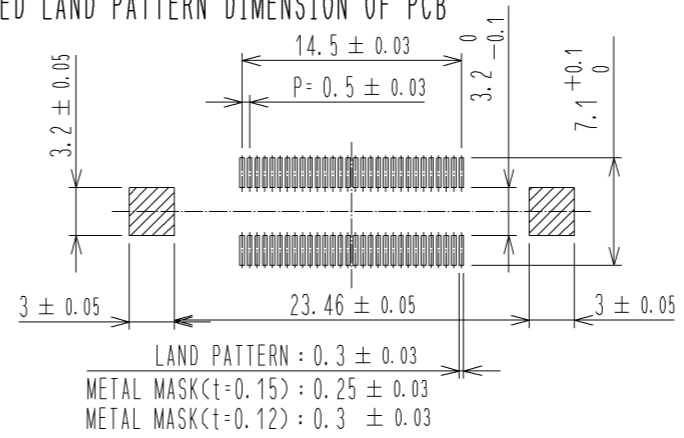
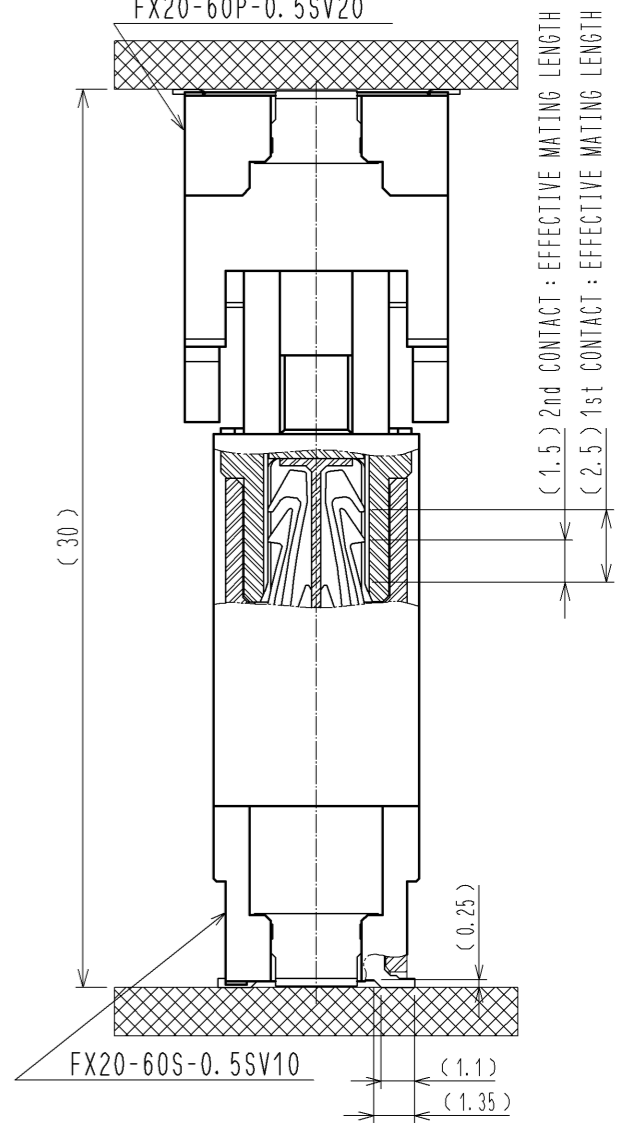


DRAWING FOR REFERENCE: This is subject to change without notice
08/11/2012

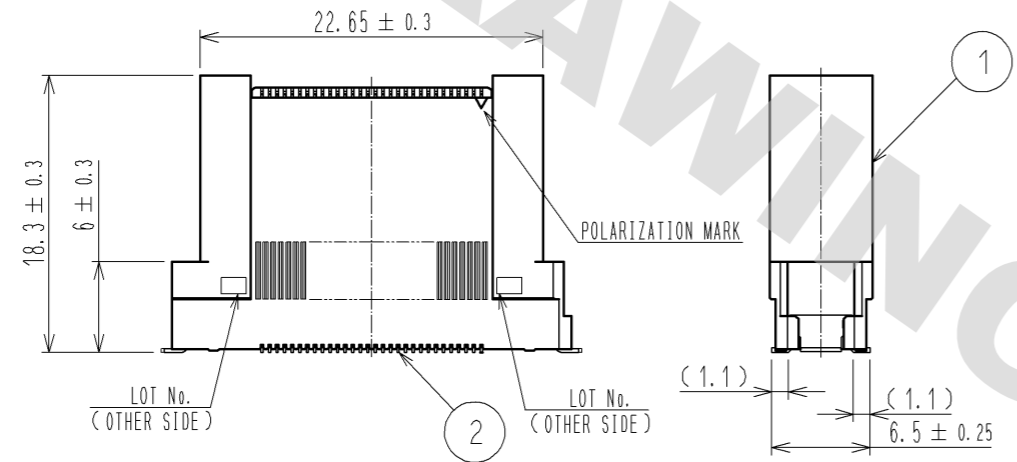
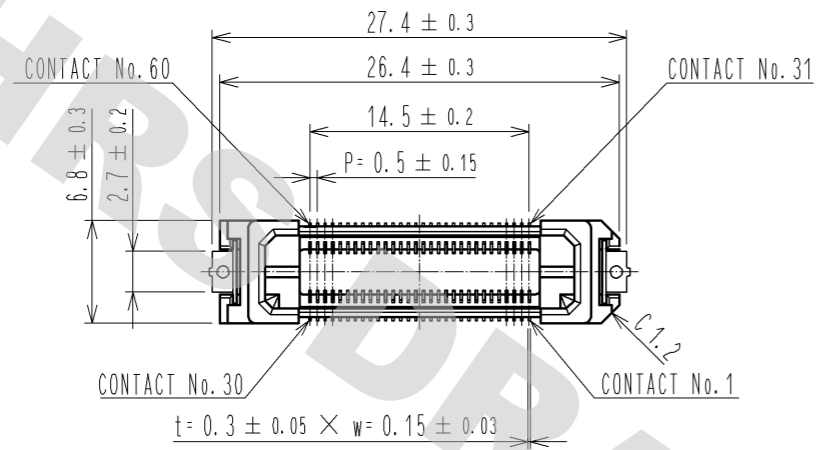
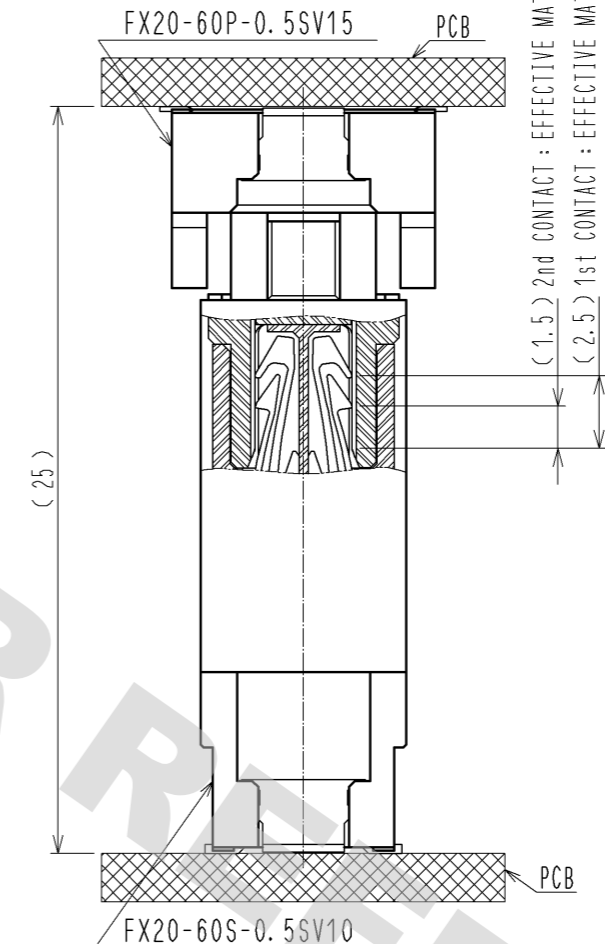
RECOMMENDED LAND PATTERN DIMENSION OF PCB



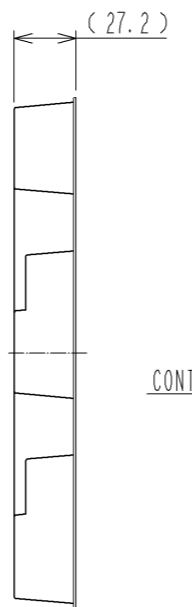
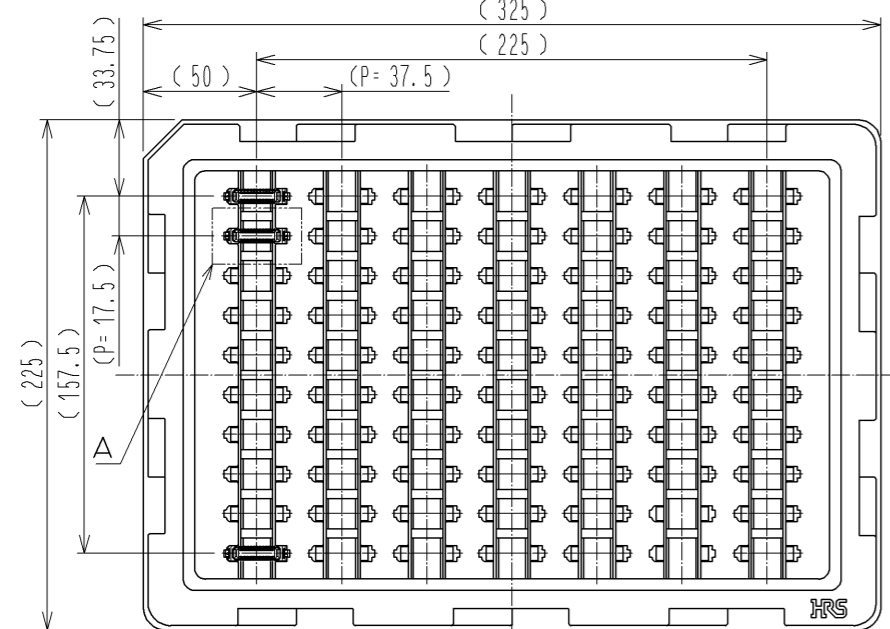
CROSS SECTION OF MATING(FREE)
FX20-60P-0.5SV20



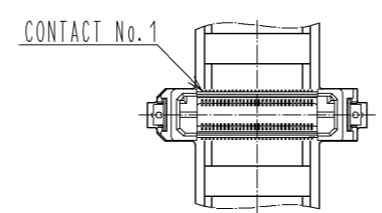
CROSS SECTION OF MATING(FREE)
FX20-60P-0.5SV15



2 DRAWING FOR PACKING(FREE)



A (1:1)



- NOTE 1 LEAD CO-PLANARITY IS 0.1mm MAX.
 2 THIS IS PACKAGED IN TRAY. (70pcs/TRAY)
 3 BLEMISH AND HIT MARK CAN BE OCCURED THROUGH OUT THE MANUFACTURING PROCESS WHICH DOESN' T AFFECT QUALITY LEVEL.
 4 PLEASE NOTE THAT EXCESSIVE WRENCHING FORCE COULD DAMAGE THIS CONNECTOR. PLEASE REFER TO THE GUIDELINE FOR DETAILED REGULATIONS OF THE MATING METHOD.
 5 THE DIMENSIONS IN PARENTHESES ARE FOR REFERENCES.

1	LCP	BLACK	UL94V-0	3	BRASS	TIN-PLATING 1 μm
NO.	MATERIAL	FINISH	REMARKS	NO.	MATERIAL	FINISH
				2	PHOSPHOR BRONZE	CONTACT AREA:GOLD 0.1 μm LEAD AREA:GOLD 0.03 μm UNDER PLATING:NICKEL 1 μm
UNITS	mm	SCALE	2:1	DESIGNED	12.03.06	12.03.06
				CHECKED	12.03.02	12.03.02
				DATE	12.03.02	12.03.02
APPROVED : HS. OKAWA				DRAWING NO.		EDC3-336345-00
CHECKED : KI. HIROKAWA				PART NO.		FX20-60S-0.5SV10
DESIGNED : KT. DOI				CODE NO.		CL570-1108-4-00
DRAWN : KT. DOI						1/1