

Product Information



3648IEP200P63

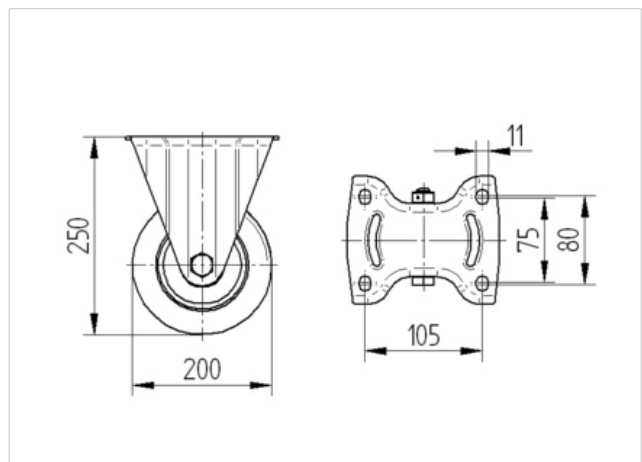
EAN 4031582337198

Fixed castor, Fork made of heavy pressed steel, bright zinc plated, blue passivated, wheel axle with nut, plate fitting.

Wheel centre made of Aluminium, Tread: black elastic-tyre, vulcanized, precision ball bearing

Technical Data

Wheel diameter	200 mm
Width of Tread	50 mm
Size of Plate	137 x 115 mm
Plate hole centres	105 x 80/75 mm
Plate hole	11 mm
Overall height	250 mm
Temperature	- 20 / + 85 °C
Standard	EN 12532
Weight	3.231 kg
Hardness of tread	A 67 Shore
Load capacity	450 kg
Load capacity (static)	900 kg



Roll performance	+	+	+	+	+
Movement noise	+	+	+	+	+
Attrition	+	+	+	+	+
Corrosion resistance	+	+	+	+	+

Product Information



3648IEP200P63

EAN 4031582337198

