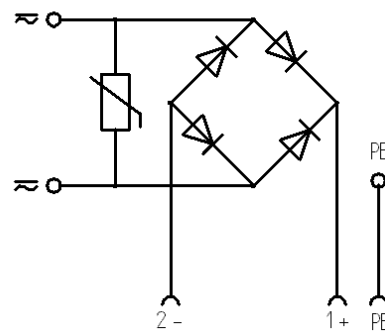
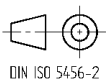


- 1) In montiertem Zustand, Dichtlippe gepresst.
When mounted, sealing lip pressed.
- 2) Im Lieferzustand, Dichtlippe nicht gepresst.
In delivery condition, sealing lip not pressed.



The information/details in this datasheet merely contain general descriptions or performance factors which, when applied in an actual situation, do not always correspond with the described form, and may be amended by way of the further development of products. The desired performance factors shall only be binding if these are expressly agreed on conclusion of the contract.



Product description

Description	Cable socket angled
Type	GDML 2011 GB 1 ..., see standard products
Order No	932-329-..., see standard products
Type of contacts	female
Number of contacts	2+PE
Cable gland	PG 11
Conductor size	max. 1,5 mm ²
Standard	DIN EN 175301-803-A
Construction type	A
Color housing	see standard products

Description of wiring

Voltage rectifier	bridge-type rectifier
Protective circuit	Varistor
Varsitor voltage Vv (1mA)	470 V ±10%

Technical data

Clearance / Creepage distance	DIN EN 60664-1 (2008/01); VDE 0110-1
Rated voltage	250 V AC/DC
Rated current *	AC: 2A, DC: 1A
Rated impulse voltage	2,0 kVeff / 60 s
Pollution degree	3 acc. to DIN EN 60664-1 (VDE 0110-1)
Contact resistance	< 10 mOhm
Type of connection	screw terminal
Mating cycles	max. 50
Suitable cables	Ø4,5 mm to Ø11 mm
Mounting	Central screw M 3

* Notice derating

Materials

Contact	CuZn
Contact plating	Cu/Sn
Contact bearer	PA 6
Housing	PA 6 GF
Central screw	4.8 , Fe/Zn B
Gasket(s)	SBR/NBR, cable gland
Cable gland screw	PA 6 GF

Environmental conditions

Protection class (IEC 60529) *	IP65
Temperature range	-40°C to +90°C, notice derating

* only if mounted and locked in combination with Hirschmann / Lumberg connector.

Flammability class

Housing	UL 94 HB
Contact bearer	UL 94 HB
Cable gland screw	UL 94 HB

Accessories

Accessories to order separately

Gasket:

730-801-002, NBR, Temp. range: -30°C to +90°C, flat gasket GDM 3-7, brown

731-739-004, EPDM, Temp. range: -40°C to +125°C, flat gasket GDM 3-21, brown

731-740-002, MPQ, Temp. range: -40°C to +125°C, flat gasket GDM 3-17, red

731-531-002, NBR, Temp. range: -30°C to +90°C, profiled gasket GDM 3-16, black

731-532-002, VMQ, Temp. range: -40°C to +125°C, profiled gasket GDM 3-19, red

central screw:

732-488-002, knurled head (grey)

734-363-001, stainless steel screw

Additional technical data

Fastening torque (central screw)

M 3: (50-60) Ncm

Fastening torque (cable gland)

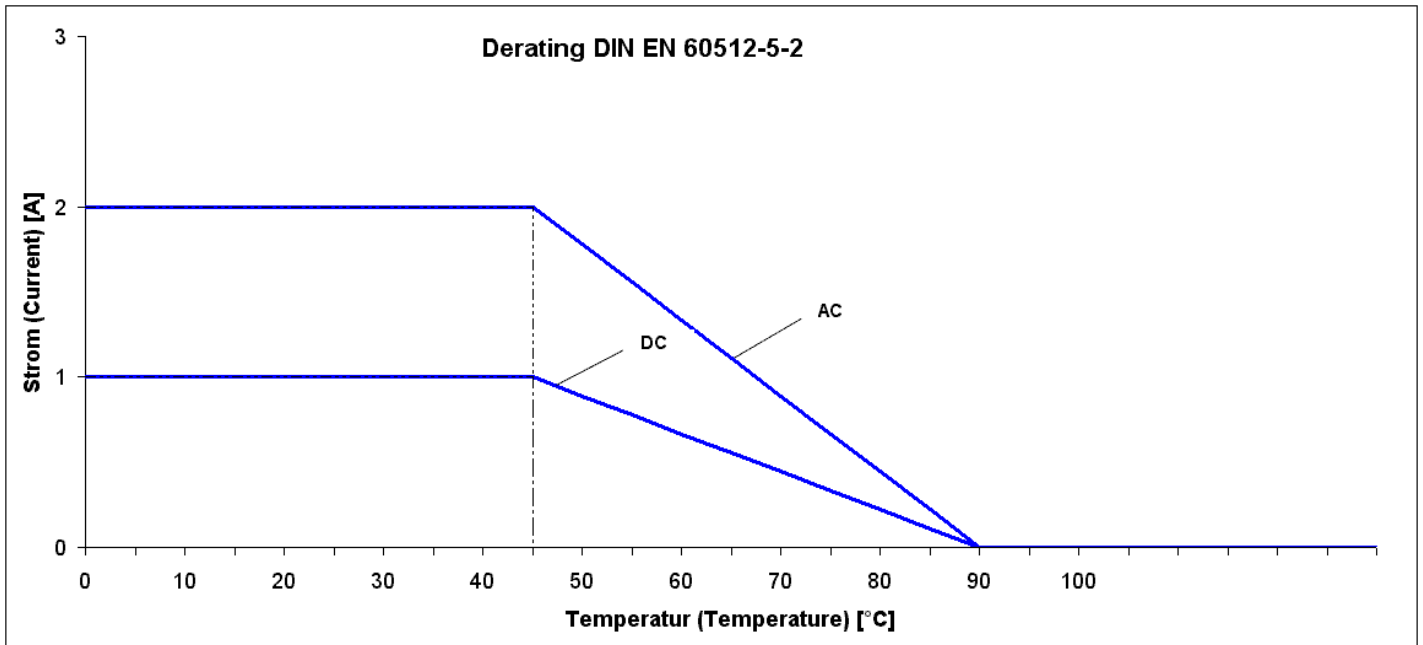
PG 11: (250-375) Ncm

Fastening torque (contact screw)

M 3: (30-40) Ncm

Notes

Do not connect or disconnect under load.



product overview

Article-No.	Type	Color housing
932-329-100	GDML 2011 GB 1 schwarz	schwarz /black
932-329-106	GDML 2011 GB 1 grau	grau/grey