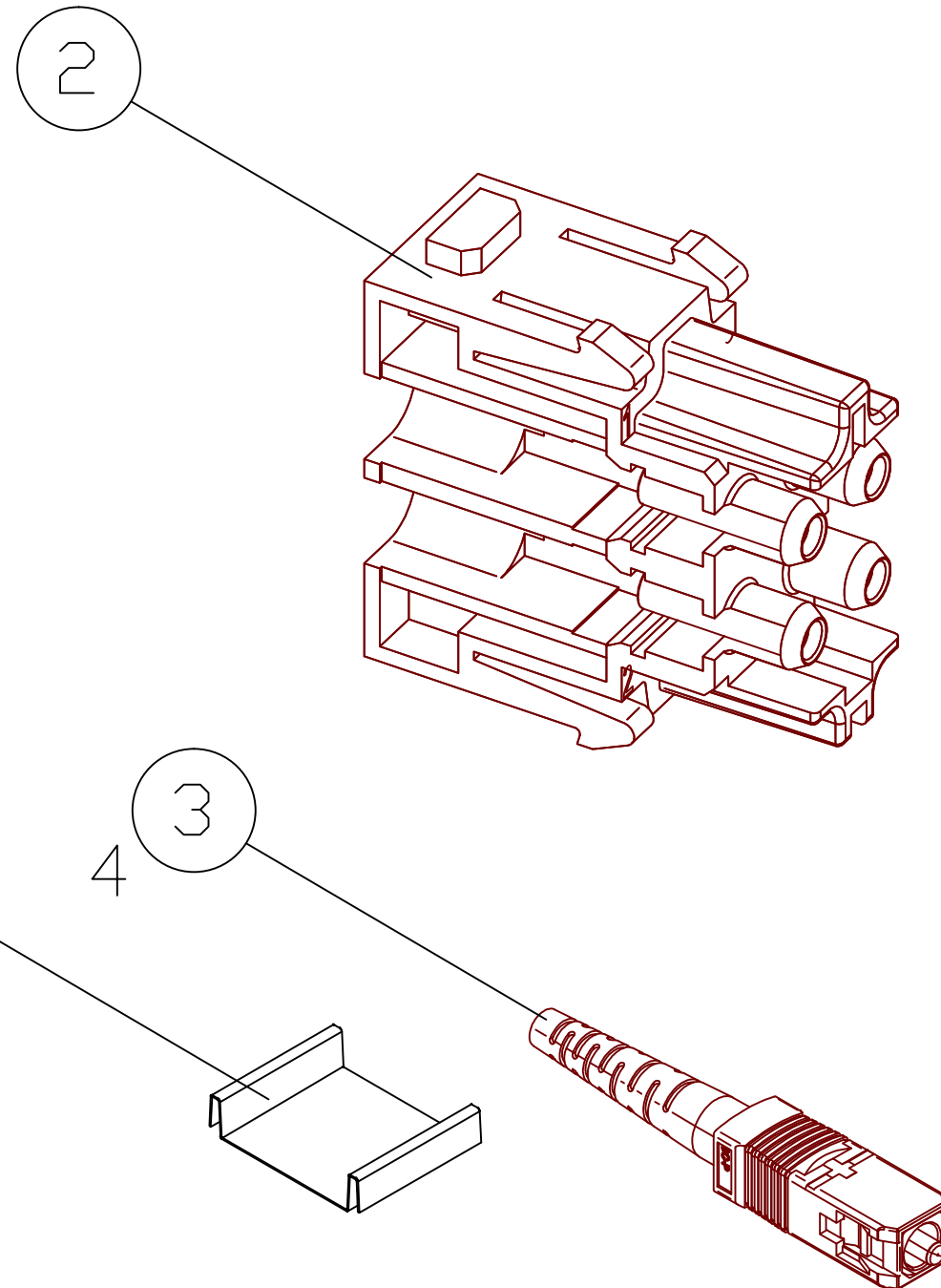


NO SUBSTITUTIONS OR OMISSIONS ALLOWED WITHOUT WRITTEN CONSENT OF HARTING LTD.  
IF IN DOUBT - ASK!

HARTING PART NUMBER:  
6630 2970 018 00



KIT FEMALE			
Item No.	Part No.	Qty	Description
1	0914009965	2	Retaining Plate
2	09140044711	1	Han SC Module, Female
3	20101255211	4	SC Contact

DRAWING No. VAB7000-103-102

DATE		DV/CH No.		ISSUE		INITIALS		MATERIAL	DIMENSIONAL TOLERANCE UNLESS OTHERWISE STATED	THIRD ANGLE PROJECTION DRAWN TO BS8888	 <b>HARTING LTD</b> CASWELL ROAD NORTHAMPTON NN4 7PW © HARTING LTD. 2011	CUSTOMER	TITLE	DRAWING No. VAB7000-103-102
10.02.14	PRODUCTION	01	B.J.	SEE BOM	LINEAR: X. ± 0.5mm X.X ± 0.20mm X.XX ± 0.10mm ANGULAR: ±0°15'0" (±0.20°) ALL DIMENSIONS IN MILLIMETRES	 DO NOT SCALE DRAWING SCALE NTS	HAN MODULAR FIBRE KITS FEMALE	DRAWN BY B.JONES	CHECKED BY	APPROVED		DATE 10.02.2014	DATE	

THIS CONFIDENTIAL DOCUMENT IS THE PROPERTY OF HARTING LTD WHO OWN THE COPYRIGHT THEREIN. WITHOUT THE WRITTEN CONSENT OF HARTING LTD, GIVEN BY CONTRACT OR OTHERWISE, THE DOCUMENT MUST NOT BE COPIED, REPRINTED OR REPRODUCED IN ANY MATERIAL FORM, EITHER WHOLE OR IN PART, AND THE CONTENTS OF THE DOCUMENT, OR ANY METHOD OR TECHNIQUE AVAILABLE THEREFROM MUST NOT BE DISCLOSED TO ANY OTHER PERSON WHATSOEVER.

A3

SHEET 1 OF 1