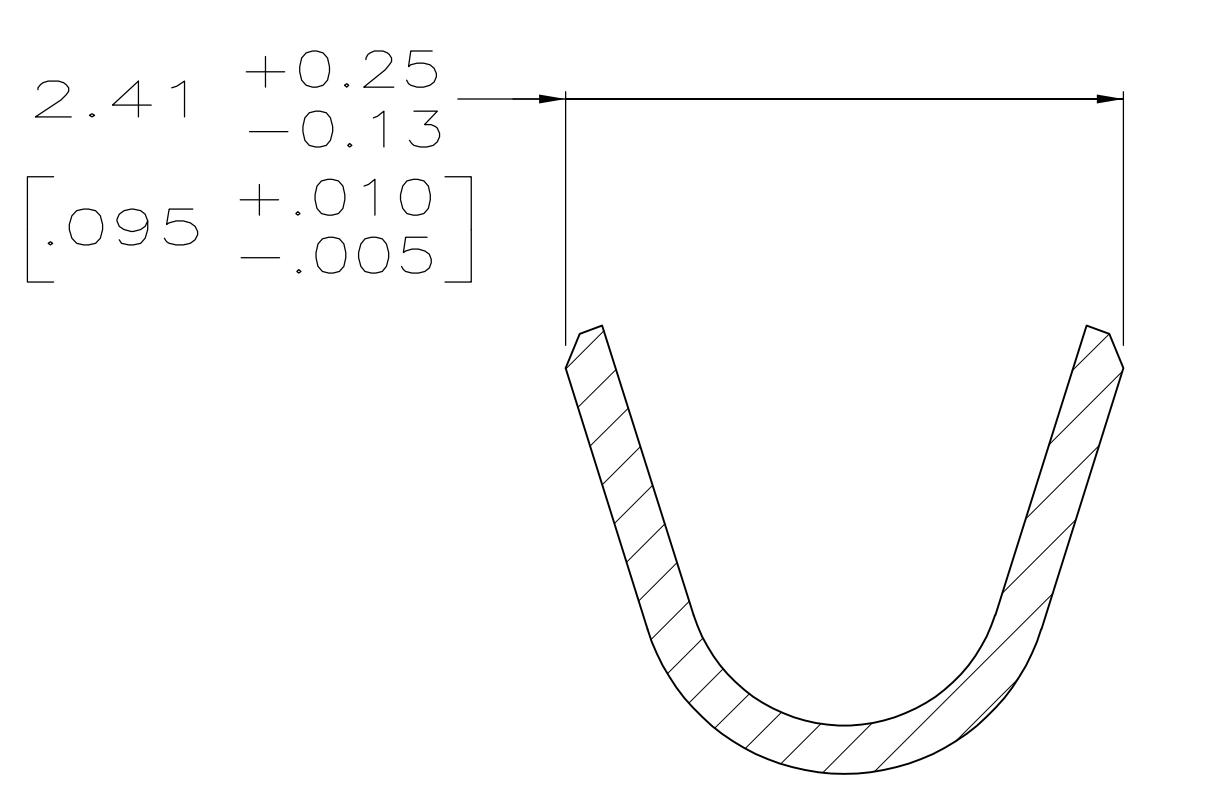
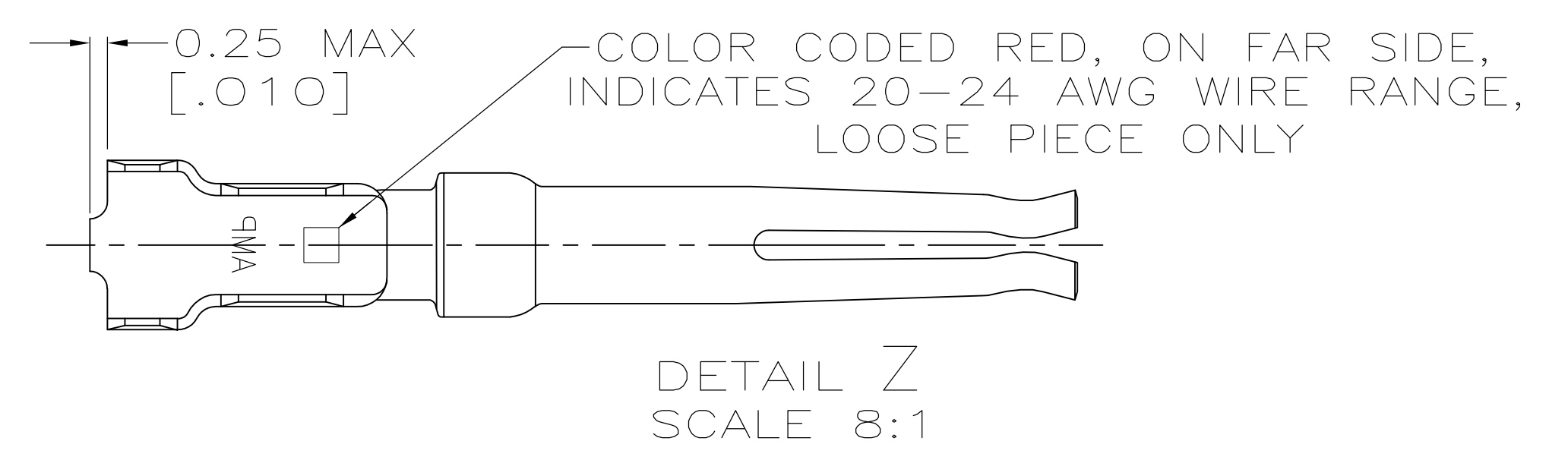
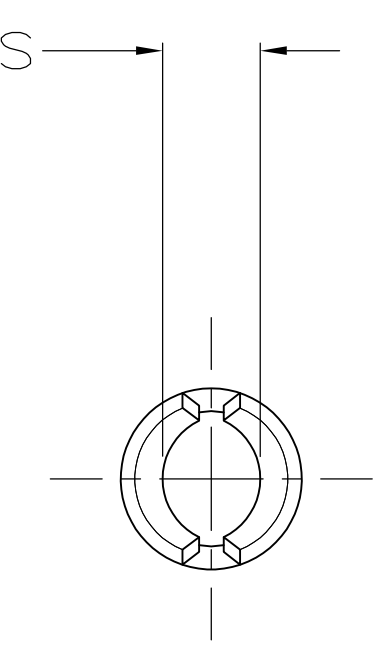
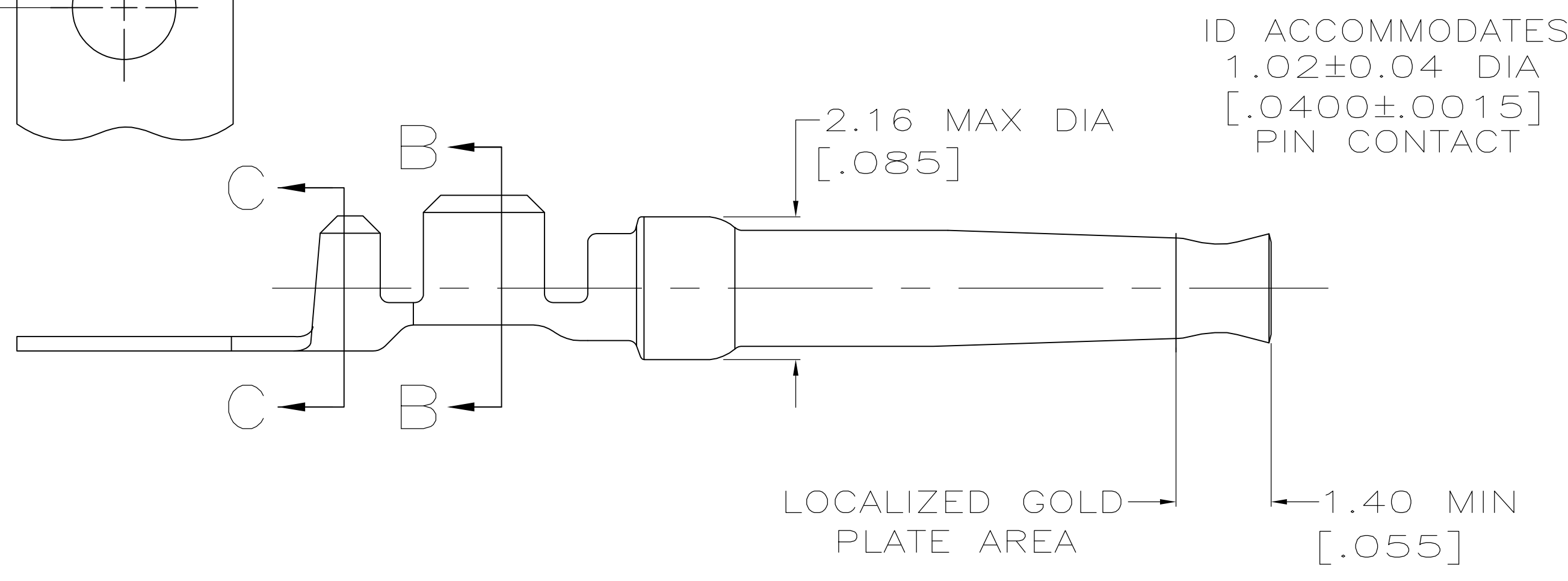
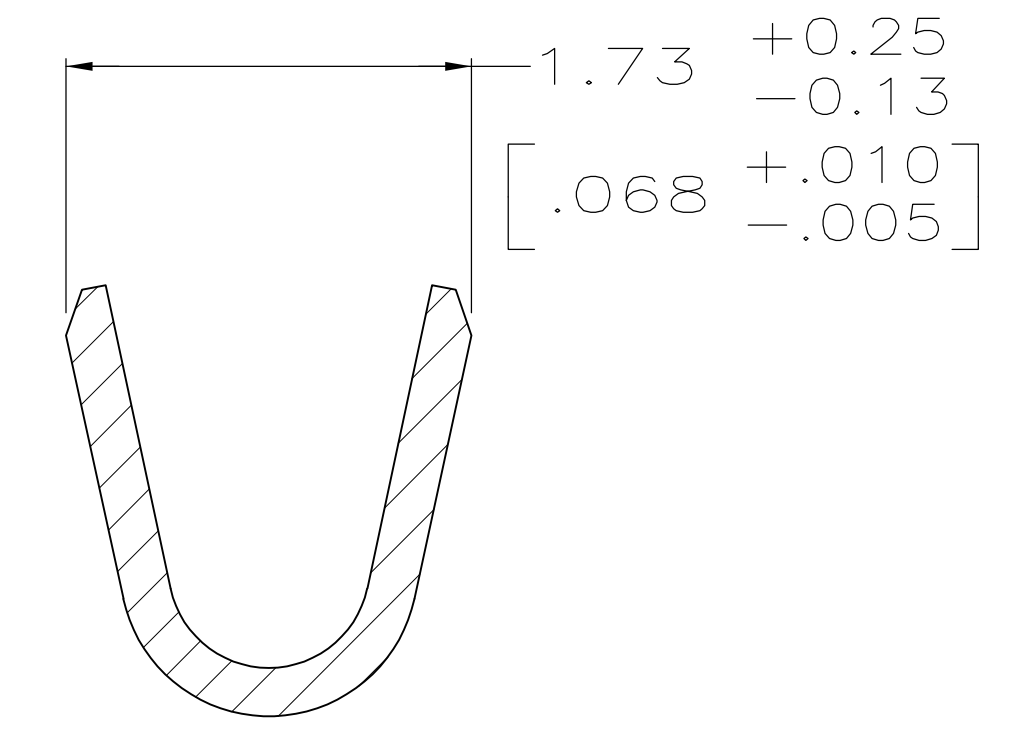


- ① FOR MINI-APPLICATOR AND STRIPPER CRIMPER.
- ② FOR HAND TOOL USE ONLY.
- 3. WIRE RANGE OF 20-24 AWG. INSULATION RANGE OF 1.27/1.52 [.050-.060].
- 4. TIN PLATING MAY NOT APPEAR ON CARRIER STRIP.
- ⑤ GOLD FLASH ON INSIDE OF LOCALIZED GOLD PLATE AREA, 2.54μm [.000100] TIN PLATED ON CRIMP BARRELS, ALL OVER 0.76μm [.000030] NICKEL UNDERPLATE.
- ⑥ PLATED WITH 0.76μm [.000030] GOLD ON INSIDE OF LOCALIZED GOLD PLATE AREA, 2.54μm [.000100] TIN ON CRIMP BARRELS, ALL OVER 1.27μm [.000050] NICKEL UNDERPLATE.
-OR-
GOLD FLASH OVER PALLADIUM-NICKEL, 0.76μm [.000030] TOTAL ON INSIDE OF LOCALIZED GOLD PLATE AREA, 2.54μm [.000100] TIN ON CRIMP BARRELS, ALL OVER 1.27μm [.000050] NICKEL UNDERPLATE.
- ⑦ GOLD FLASH ON INSIDE OF LOCALIZED GOLD PLATE AREA, 0.76μm [.000030] MIN TIN ON CRIMP BARRELS, ALL OVER 0.76μm [.000030] MIN NICKEL UNDERPLATE.
- ⑧ SPECIAL PACKAGING.



SECTION C-C
SCALE 20:1
INSULATION BARREL



SECTION B-B
SCALE 20:1
WIRE BARREL

⑥	①	-	⑧ 1658537-6
⑦	①	-	1658537-5
⑥	②	SEE DETAIL Z	1658537-4
⑥	①	-	1658537-3
⑤	②	SEE DETAIL Z	1658537-2
⑤	①	-	1658537-1
FINISH	USE	LOOSE PIECE	PART NUMBER

THIS DRAWING IS A CONTROLLED DOCUMENT.

DIMENSIONS: mm [INCHES]	TOLERANCES UNLESS OTHERWISE SPECIFIED:	DWG: G. ATTADIA - 01-10-05	CHK: J. GERACE - 01-10-05	APPRO: M. WALMSLEY - 01-10-05	NAME: M. WALMSLEY	Tyco Electronics Corporation Harrisburg, PA 17105-3608
0 PLC ± -	1 PLC ± -	2 PLC ± 0.13 [.005]	3 PLC ± -	4 PLC ± -	ANGLES ± -	FINISH SEE TABLE
MATERIAL: PHOSPHOR BRONZE	FINISH: SEE TABLE	WEIGHT: -	SIZE: A1	CAGE CODE: 00779	DRAWING NO: 1658537	RESTRICTED TO: -
CUSTOMER DRAWING		SCALE: -	SHEET: 1 OF 1	REV: D		

PRODUCT SPEC: 108-40005
APPLICATION SPEC: 114-10000
SOCKET CONTACT, 20 DF, 20-24 AWG, AMPLIMITE