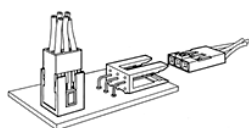


**78211-003LF - Mini-PV™, Basics+ : 2.54 mm (0.1 in.) Centerline Crimp-to-Wire PV Receptacle Housing, Single Row, Polarized**



[www.fci.com](http://www.fci.com)



### Mating Half

▶ 68000-103HLF

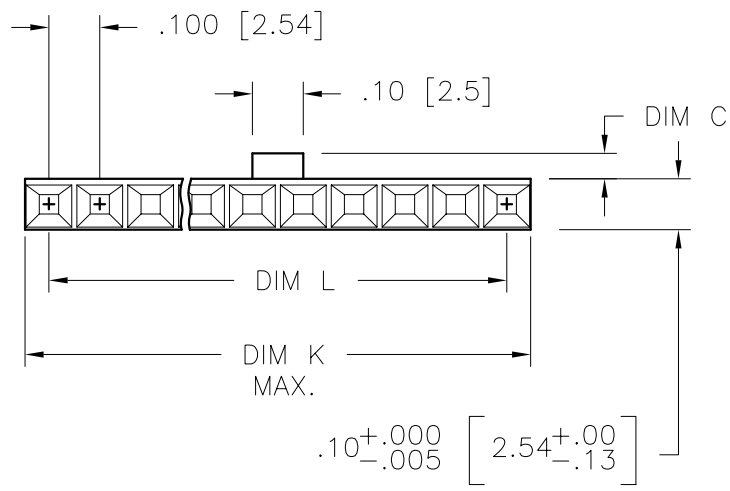
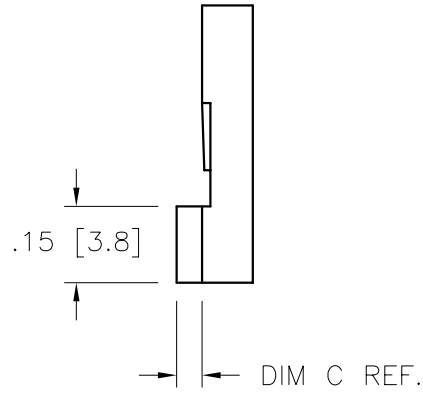
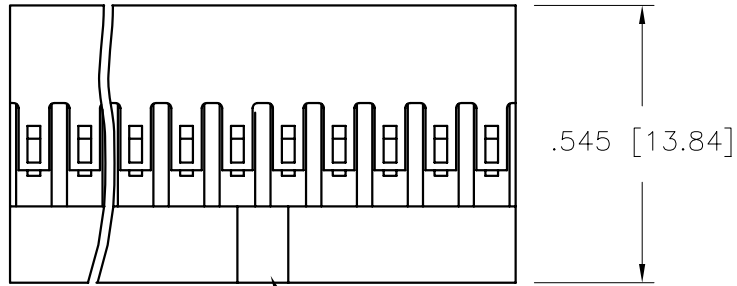
▶ 68015-103HLF

### Specifications

<b>General</b>	
Number of contacts	3
Number of rows	1
Orientation	Vertical
Product Type	Crimp-to-Wire Housing
Polarization (Key)	Yes
Mating half	Mates with 0.64 mm (0.025 in.) Square Pin with Length of 5.33 mm (0.21 in.) min. to 6.1 mm (0.24 in.) max.
Series Number	78211
<b>Dimensional</b>	
Length (Mating pin)	5.33 mm (0.21 in.) to 6.1 mm (0.24 in)
Size (Wire)	22 to 36 AWG
<b>Electrical</b>	
Resistance (Insulation)	100000 M-ohms
Voltage rating	1000V rms
<b>Physical</b>	
Color (Housing)	Black
Material (Housing)	PPE+PS
Temperature (Operating - range)	-40°C to +105°C
<b>Approvals / Certifications</b>	
UL File Number	E66906
CSA File Number	LR46923
Approvals / Certifications	UL and CSA Approved
<b>Other Features</b>	
Accessory	Polarization Plug 65307-001LF
Packaging (Type)	Bag



PRODUCT NO.  
SEE TABLE



- NOTES:
- MOLDING MATERIAL: MODIFIED POLYPHENYLENE ETHER, FLAME RETARDANT PER UL-94V-0, COLOR: BLACK.
  - TO BE MATED WITH PIN  $.225 \pm 0.015 / 5.72 \pm 0.38$  LONG.
  - THIS HOUSING IS INTENDED FOR USE WITH MINI PV™ WITH 22-36 AWG. WIRE.
  - FOR APPLICATION INFORMATION SEE TA-531. PRODUCT SPECIFICATION: BUS-12-067.
  - CORING CONFIGURATION IN POLARIZING KEY IS MANUFACTURING OPTION.
  - PRODUCT MEETS EUROPEAN UNION DIRECTIVES AND OTHER COUNTRY REGULATIONS AS DESCRIBED IN GS-22-008.
  - THIS PRODUCT IS NOT INTENDED TO BE EXPOSED TO MANUFACTURING SOLDER PROCESSES.



Copyright FCI

mat'l. code SEE NOTE 1				surface <input checked="" type="checkbox"/>		tolerance		projection <input checked="" type="checkbox"/>		product family PV HOUSINGS	
ltr	ecr no	dr	date	tolerances unless otherwise specified		angles		linear		title	
K	v07-0533	HTB	2007-08-21							MINI LATCH HOUSING SR	
-	-	-	-							POLARIZED .100 [2.54] CC	
E	v90975	BKB	1999-06-24	0°±2'						INCH/MM	
F	v00478	RGD	2000-02-03	dr		M. FETROW		1989-07-12		scale 3:1	
G	v03-1361	PJ	2004-02-16	engr		H. SUNDY		1989-07-12		dwg no	
H	v05-0716	TAB	2005-07-29	chr		H. SUNDY		1989-07-12		sheet 1 of 2	
J	v06-0446	HTB	2006-05-15	appd		H. SUNDY		1989-07-12		size	
sheet		revision		K		K				A3	
index		sheet		1		2				type	
										Product Customer Drawing	

PRODUCT NUMBER	NO OF POS	DIM K	DIM L	DIM C
78211-003LF	3	.300/7.62	.200/5.08	.050/1.27
78211-004LF	4	.400/10.16	.300/7.62	.050/1.27
78211-005LF	5	.500/12.70	.400/10.16	.050/1.27
78211-006LF	6	.600/15.24	.500/12.70	.050/1.27
78211-007LF	7	.700/17.78	.600/15.24	.050/1.27
78211-008LF	8	.800/20.32	.700/17.78	.050/1.27
78211-009LF	9	.900/22.86	.800/20.32	.050/1.27
78211-010LF	10	1.000/25.40	.900/22.86	.050/1.27
78211-011LF	11	1.100/27.94	1.000/25.40	.050/1.27
78211-012LF	12	1.200/30.48	1.100/27.94	.050/1.27
78211-013LF	13	1.300/33.02	1.200/30.48	.050/1.27
78211-014LF	14	1.400/35.56	1.300/33.02	.050/1.27
78211-015LF	15	1.500/38.10	1.400/35.56	.050/1.27
78211-103LF	3	.300/7.62	.200/5.08	.100/2.54
78211-105LF	5	.500/12.70	.400/10.16	.100/2.54
78211-106LF	6	.600/15.24	.500/12.70	.100/2.54



FCconnect.com

Copyright FCJ

mat'l. code SEE NOTE 1				surface <input checked="" type="checkbox"/>		tolerance		projection		product family PV HOUSINGS	
ltr	ecn no	dr	date	tolerances unless otherwise specified				title		MINI LATCH HOUSING SR POLARIZED .100 [2.54] CC	
K				angles	linear	.XX+01/X+3		INCH/MM		dwg no	
				0'±2"		.XXX+005/XXX+13		scale 1:1		sheet 2 of 2	
						XXXX+0020/XXX+051		FCJ		size A3	
				dr	M. FETROW	1989-07-12				type Product Customer Drawing	
				engr	H. SUNDY	1989-07-12				78211	
				chr	H. SUNDY	1989-07-12					
				appd	H. SUNDY	1989-07-12					
sheet index	revision sheet										