

FEATURES AND SPECIFICATIONS

Features and Benefits

- Sizes 2 to 20 circuits

Reference Information

Product Specification: PSX10-39
 Packaging: Tray
 UL File No.: E29179
 CSA File No.: LR19980
 Mates With: 2599, 3003 and 3008 headers
 Designed In: Inches

Electrical

Voltage: 250V
 Current: 7.0A
 Contact Resistance: 20mΩ max.
 Dielectric Withstanding Voltage: 1500V
 Insulation Resistance: 500K MΩ min.

Mechanical

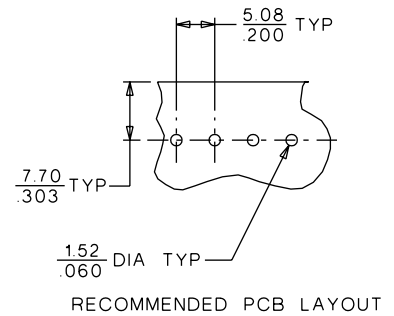
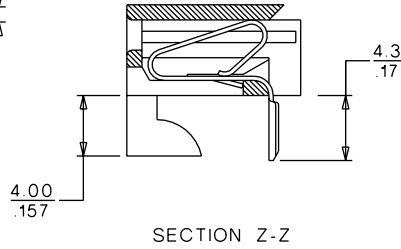
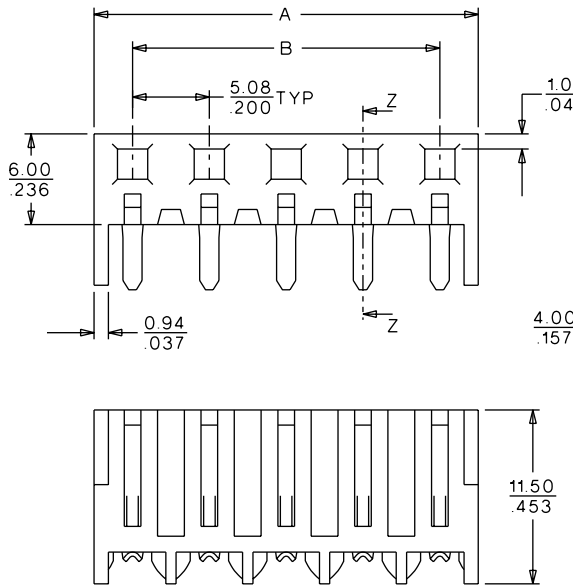
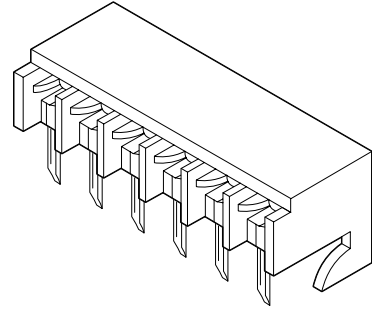
Mating Force: 24 oz max.
 Unmating Force: 4 oz min.
 Normal Force: 350g
 Durability: 25 cycles Tin

Physical

Housing: Nylon, UL 94V-2
 Contact: Phosphor Bronze
 Plating: 1µm Tin/Lead and 0.5µm Gold
 Temperature: 0 to +75°C

**molex® 5.08mm (.200") Pitch
 KK®
 PC Board Connector**

**3002
 Right Angle
 Mount Style A**



ORDERING INFORMATION AND DIMENSIONS

Circuits	Order No.		Dimension	
	Tin	Gold	A	B
2	10-10-1021	10-10-1024	10.16 (.400)	5.08 (.200)
3	10-10-1031	10-10-1034	15.24 (.600)	10.16 (.400)
4	10-10-1041	10-10-1044	20.32 (.800)	15.24 (.600)
5	10-10-1051	10-10-1054	25.40 (1.000)	20.32 (.800)
6	10-10-1061	10-10-1064	30.48 (1.200)	25.40 (1.000)
7	10-10-1071	10-10-1074	35.56 (1.400)	30.48 (1.200)
8	10-10-1081	10-10-1084	40.64 (1.600)	35.56 (1.400)
9	10-10-1091	10-10-1094	45.72 (1.800)	40.64 (1.600)
10	10-10-1101	10-10-1104	50.80 (2.000)	45.72 (1.800)
11	10-10-1111	10-10-1114	55.88 (2.200)	50.80 (2.000)

Circuits	Order No.		Dimension	
	Tin	Gold	A	B
12	10-10-1121	10-10-1124	60.96 (2.400)	55.88 (2.200)
13	10-10-1131	10-10-1134	66.04 (2.600)	60.96 (2.400)
14	10-10-1141	10-10-1144	71.12 (2.800)	66.04 (2.600)
15	10-10-1151	10-10-1154	76.20 (3.000)	71.12 (2.800)
16	10-10-1161	10-10-1164	81.28 (3.200)	76.20 (3.000)
17	10-10-1171	10-10-1174	86.36 (3.400)	81.28 (3.200)
18	10-10-1181	10-10-1184	91.44 (3.600)	86.36 (3.400)
19	10-10-1191	10-10-1194	96.52 (3.800)	91.44 (3.600)
20	10-10-1201	10-10-1204	101.60 (4.000)	96.52 (3.800)

Plating: 1.00 microns Tin/Lead /2.00 microns Copper min. (.000040" Tin/Lead / .000080" Copper min.) or 0.50 microns Gold/0.75 microns Nickel min. (.000020" Gold/.000030" Nickel min.)