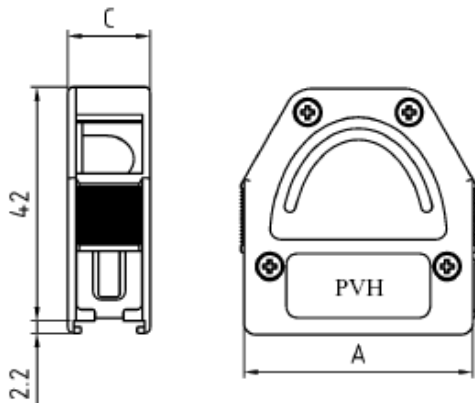


Quick lock diedast Hood



- new, innovative locking system
- quick single hand action, secure latching, highest retention force
- quicker assembly as Screwand Slide locking System
- approved for automobiles
- 2 - 3 cable inputs
- suitable for use with crimp flanges, internal and external cable clamps
- Optimum RF shielded in conjunction with crimp flanges



Quick lock diedast hood as set

Size	part no.
09	104 09 DC 001
15	104 15 DC 001
25	104 25 DC 001
37	104 37 DC 001
50	104 50 DC 001

Further hood accessories you find as from page 63.

Size	Dimensions		Cable output	
	A	C	Qty.	øD
9	33.0	14.8	2	#
15	41.3	14.8	3	#
25	55.0	14.8	3	#
37	71.5	14.8	3	#
Vollmetallhaube 50	69.1	18.0	3	#

Diameter is determined by cable clamp used (see Accessories page 63ff)