



PRODUCT DATASHEET

Lisa2 series

last update 23/9/2013

DETAILS

Product Number	FP11047_LISA2-RS-PIN
Family	Lisa2
Type	Assembly
Color	black
Diameter	9,9 mm
Height	6,6 mm
Style	round
Optic Material	PMMA
Holder Material	PC
Fastening	pin, glue
Status	ready
ROHS Compliant	Yes
Date Updated	21/04/2015



OPTICAL PROPERTIES

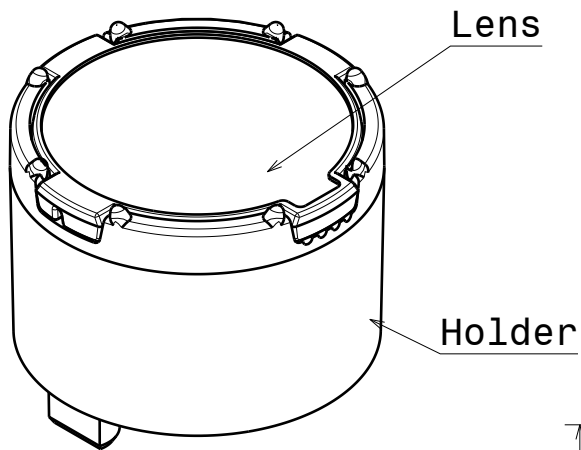
LED	Viewing Angle	Light Beam	Efficiency	cd/lm	Connector
Oslo SSL 80	16 deg	Real spot	89 %	sim: 0.000	-
Oslo SSL 150	16 deg	Real spot	92 %	-	-

D

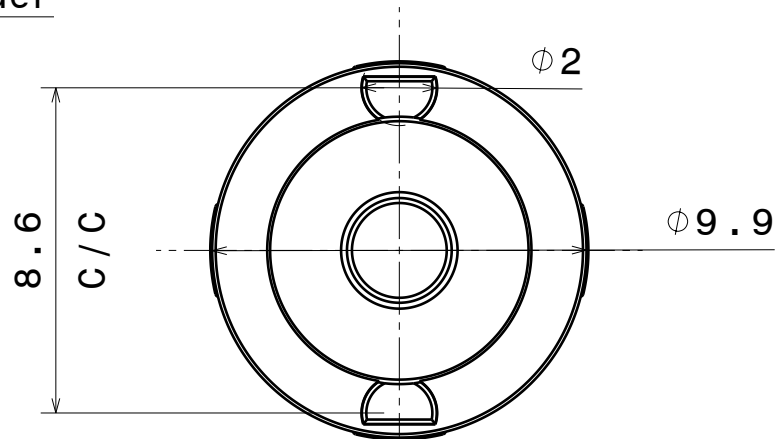
C

B

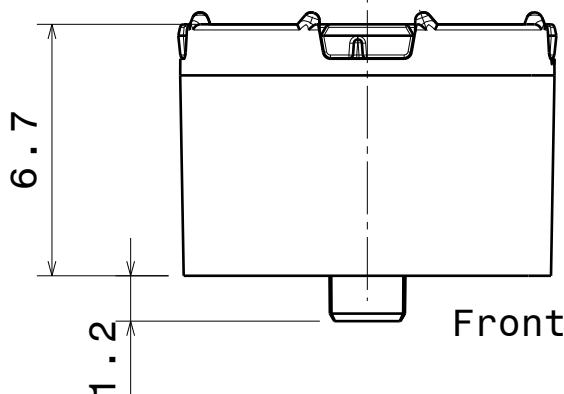
A



Isometric view
Scale: 5:1



Bottom view



Front view

4

4

3

3

2

2

Tolerances if not otherwise shown
According to DIN ISO 2768-1
Linear measures:
Up to 30mm class M, otherwise class C.
According to DIN ISO 2768-2
Form and position: class L

LEDiL Ledil Oy
Salorankatu 10
FIN 24240 SALO
Finland

THIRD ANGLE PROJECTION:

DRAWING TITLE
FP11047_LISA2-RS-PIN

This drawing is the property of LEDiL Oy. It may not be reproduced, copied or communicated without a written agreement with LEDiL Oy."

SIZE	PART NUMBER
A4	FP11047

SCALE	5:1	WEIGHT	-	SHEET	1/1
-------	-----	--------	---	-------	-----

D

A

1

1

NOTE: The typical divergence will be changed by different color, chip size and chip position tolerance. The typical total divergence is the full angle measured where the luminous intensity is half of the peak value.