



ENGLISH

Datasheet

RS Pro Aluminium Enclosure, IP65, 71 x 102 x 102

RS Stock No: **282-1102**



Product Details

RS Pro aluminium enclosure measuring 102 x 102 x 71 mm, comes with IP65 splash-proof cover and neoprene gasket. It is suitable for mounting DIN Rail BS5584: 1978 (DIN 46 277-3, EN 50.22) and allows standard 22.5 mm module cases.

**Specifications:**

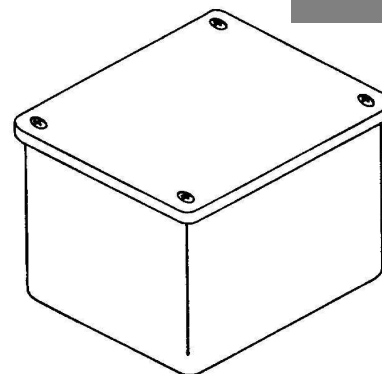
Body Material	Die Cast Aluminium Alloy
Colour	Natural
External Dimensions	102 x 102 x 71 mm
External Height	71 mm
External Length	102 mm
External Width	102 mm
Flanged	No
Gasket Material	Neoprene
IP Rating	IP65
Lid Colour	Natural
Shielded	No
Finish	Sandblasted



ENGLISH

Dimensions (mm)

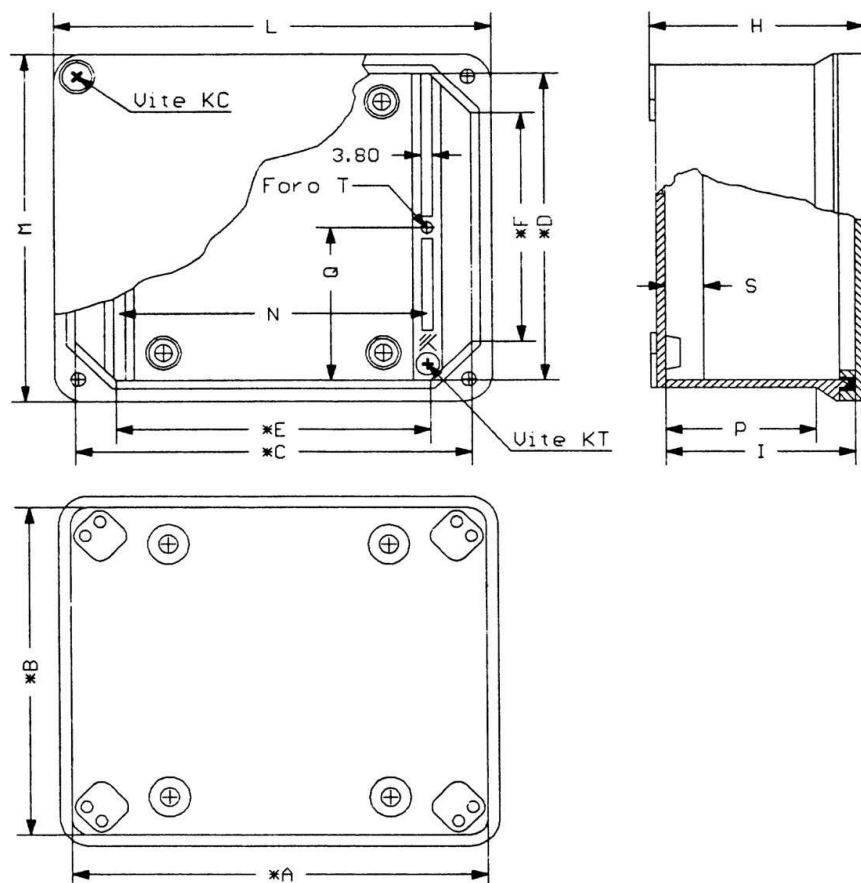
	A*	B*	H	C*	D*	E*	F*
282-1102	102	102	71	89.5	89.5	63	63
229-0334	135	110	71	127	102	91	66
229-0362	160	135	81	153	128	116	91
229-0356	185	160	96	177	152	140	115
229-0340	245	210	102	238	203	201	166



- 5.00
- 7.25
- 8.25
- 11.95
- 18.25

* Maximum useful size

	I	L	M	N	P	Q	S	T dia	KC	KT
282-1102	65	106	106	66	56.5	45	10	4	4 x M5	1 x M5
229-0334	64	142	117	98	47	51	13	4	4 x M5	1 x M5
229-0362	74	167	142	124	58	69	13	4	4 x M5	2 x M5
229-0356	89	192	167	146	72	76	13	4	4 x M5	2 x M5
229-0340	94	254	219	208	77	101	13	4	4 x M5	2 x M5



Dimensions (mm)

	V	Z	Type	X1	Y1	X2	Y2
282-1102	32	72	A	82	111	82	111
229-0334	65	80	A	114	119	89	144
229-0362	88	104	A + B	140	145	115	170
229-0356	114.5	129.5	A + B	164	169	139	195
229-0340	172	178	A + B	224	219	189	254

