

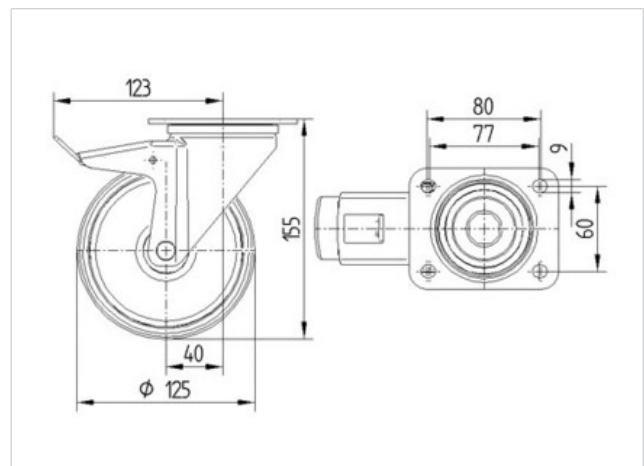
3477UFR125P62 blue

EAN 4031582305920

Swivel castor with total lock, tail end of castor, housing made of pressed steel, bright zinc plated, blue passivated, double ball bearing swivel head, wheel axle with nut, dustguard, plate fitting. Wheel centre made of Polyamide, Tread: elastic-tyre, non-marking, roller bearing



Technical Data	
Wheel diameter	125 mm
Width of Tread	40 mm
Size of Plate	105 x 85 mm
Plate hole centres	80/77 x 60 mm
Plate hole	9 mm
Offset	40 mm
Swivel Interference	246 mm
Overall height	155 mm
Temperature	- 20 / + 80 °C
Standard	EN 12532
Weight	1.253 kg
Swivel Radius	123 mm
Hardness of tread	A 64 Shore
Load capacity	250 kg
Load capacity (static)	500 kg



Roll performance	+	+	+	+	+
Movement noise	+	+	+	+	+
Attrition	+	+	+	+	+
Corrosion resistance	+	+	+	+	+



3477UFR125P62 blue

EAN 4031582305920

