

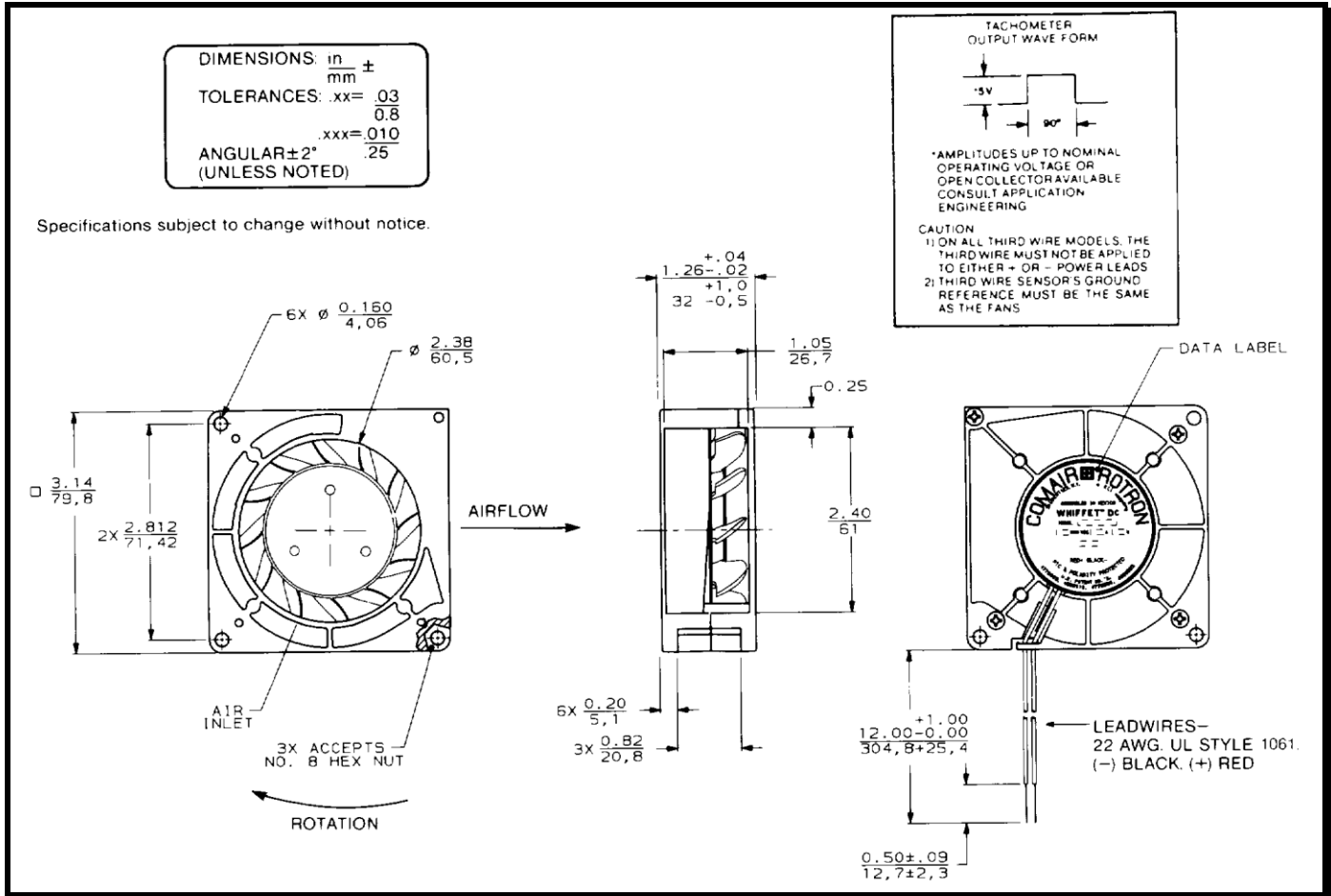
# SPECIFICATIONS



**Model Number:** WT12M3  
**Part Number:** 19031103A

Apr. 01, 2016

## Mechanical Drawing:



### Motor:

Nominal Voltage	= 12 vdc
Operating Voltage Range	= 6 to 14 vdc
Nominal Running Current	= 0.090 amps
Max. Locked Rotor Current	= 0.330 amps
Running Power	= 1.10 watts
Average Speed	= 2300 RPM
Bearings	= Ball
Air Flow	= 8.7 CFM
Acoustic	= 36.0 dBA

### Construction:

Venturi: Plastic, Black, UL 94V-0  
Propeller: Plastic, Black, UL 94V-0

### Life Expectancy:

This fan is designed for continuous duty life of 80,000 hours at 25°C.

### Additional Features:

Brushless DC Motor  
Locked Rotor Protection  
Reverse Polarity Protected  
Automatic Restart Capability  
Operating Temperature: -10°C to 70°C  
Storage Temperature: -40°C to 85°C

### Termination:

12" Lead wires, 22AWG, UL 1061  
Red = (+) Fan Power  
Black = (-) Fan Ground

### Agency Approvals:

UL