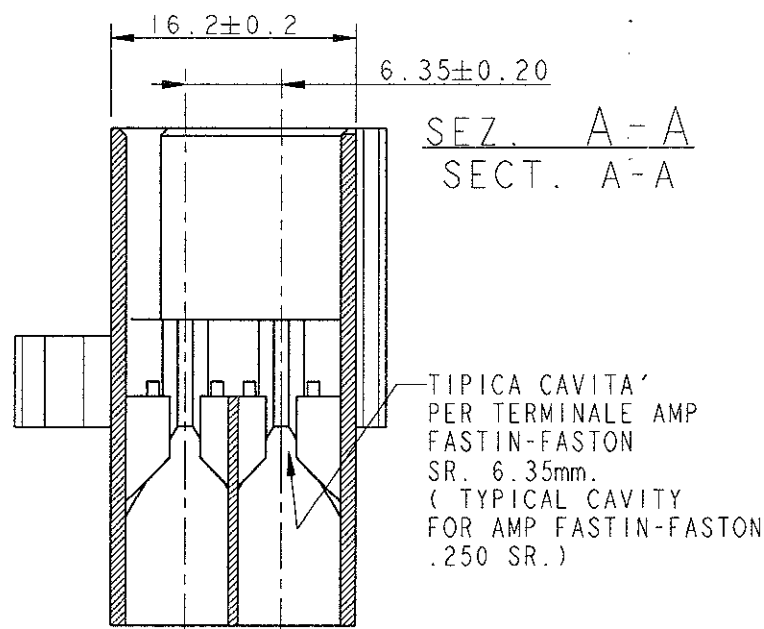
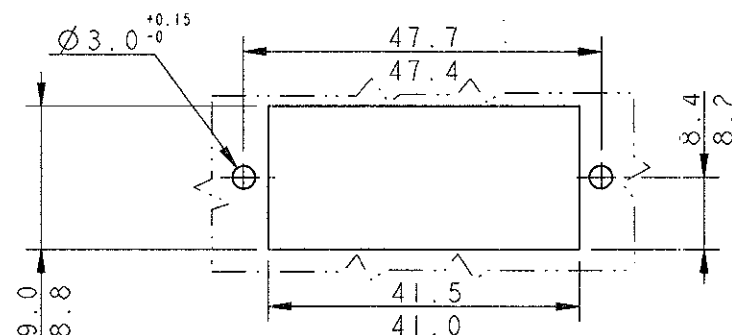


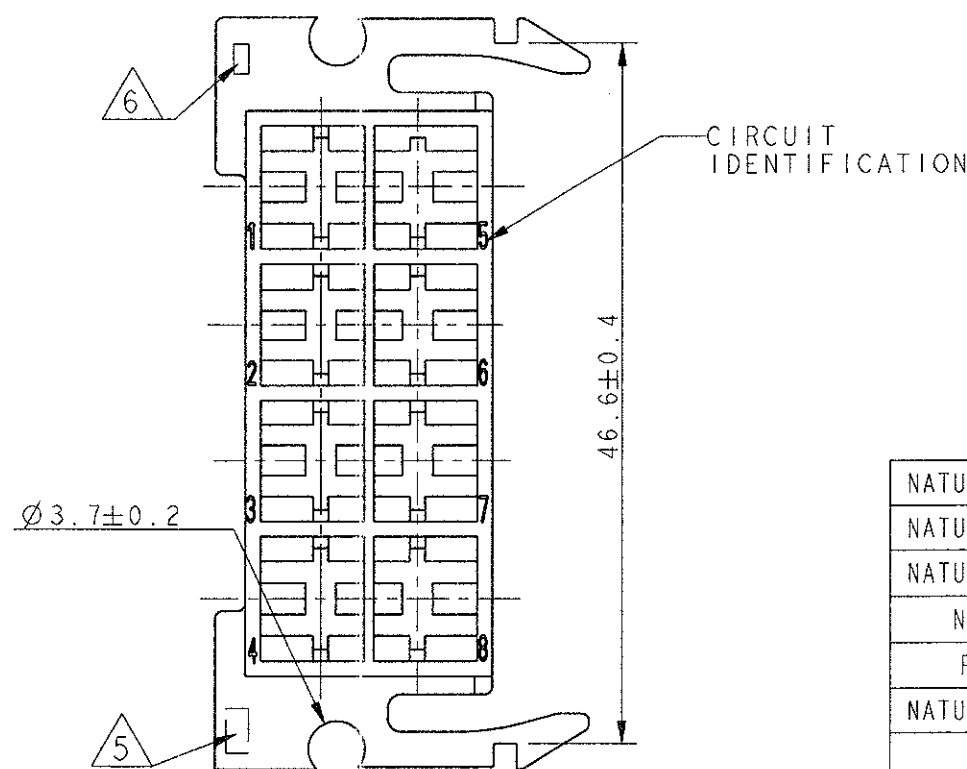
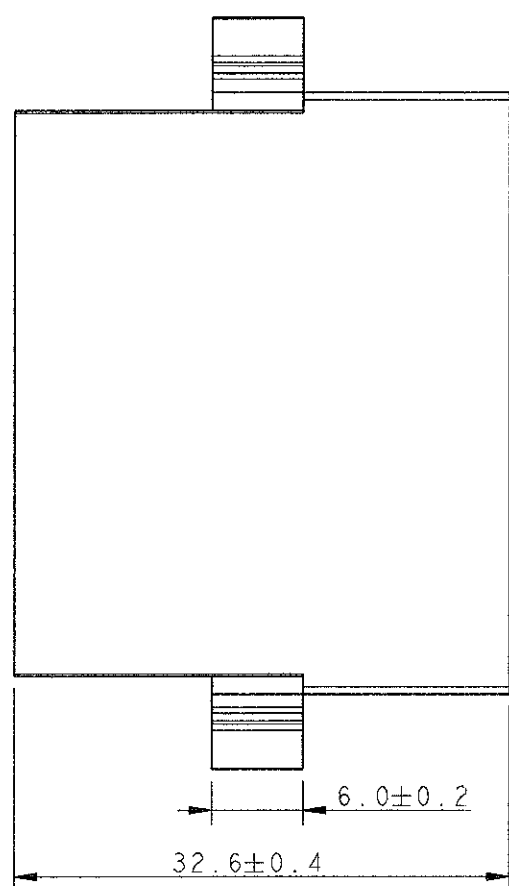
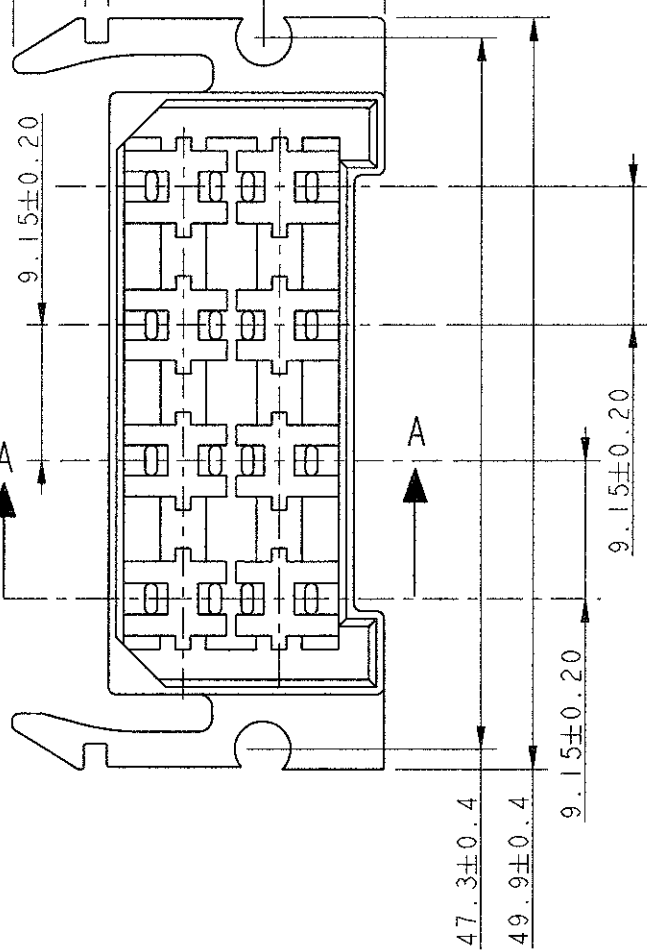
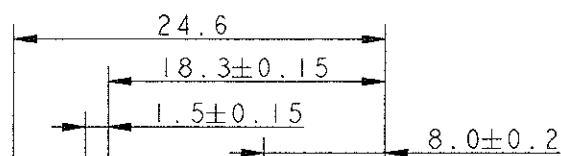
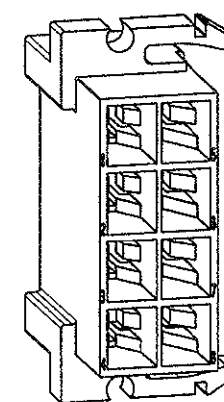
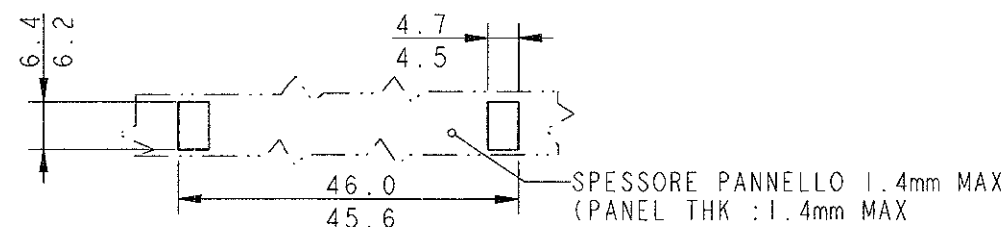
P	LTR	DESCRIPTION	DATE	DWN	APVD
	U3	REVISED AND REDRAWN, ET00-0098-02	20 SEP' 2002	HY	CT



DIMENSIONI PER IL MONTAGGIO (MOUNTING DIMENSIONS)
PER IL BLOCCAGGIO PERPENDICOLARE AL PANNELLO DEI BLOCCHETTI
P/N 280430 O P/N 163008
(FOR FASTENING HSG P/N 280430 OR P/N 163008 PERPENDICULAR WITH PANEL.)



DIMENSIONI PER IL MONTAGGIO (MOUNTING DIMENSIONS)
PER IL BLOCCAGGIO PARALLELO AL PANNELLO DEI BLOCCHETTI
P/N 280430 O P/N 163008
(FOR FASTENING HSG P/N 280430 OR P/N 163008 IN PARALLEL WITH THE PANEL.)



- 1 RISERVATO PER AMP DE FRANCE (RESTRICTED FOR AMP DE FRANCE)
- 2 RISERVATO "PHILCO™" (RESTRICTED FOR "PHILCO™")
- 3 VERSIONE NON DISPONIBILE IN AMP ITALIA (NOT AVAILABLE FROM AMP ITALY)
- 4 VERSIONE "GLOW WIRE" ("GLOW WIRE" VERSION)
- 5 MARCHIO DI FABBRICA AMP (AMP TRADE MARK)
- 6 NUMERO DI IMPRONTA STAMPO (MOULD CAVITY IDENTIFICATION NO)

COLORE (COLOUR)	MATERIALE (MATERIAL)	NUMERO (PART NUMBER)	REV
NATURALE (NATURAL)	ZYTEL 135F	4-280430-0	U
NATURALE (NATURAL)	PA 6.6 (PA 6.6 UNFILLED)	3-280430-0	U
NATURALE (NATURAL)		2-280430-0	U
NERO (BLACK)		0-280430-5	U
ROSSO (RED)	PA 6.6 (PA 6.6 UNFILLED)	0-280430-1	U
NATURALE (NATURAL)		0-280430-0	U

THIS DRAWING IS A CONTROLLED DOCUMENT FOR TYCO ELECTRONICS CORPORATION IT IS SUBJECT TO CHANGE AND THE CONTROLLING ENGINEERING ORGANIZATION SHOULD BE CONTACTED FOR THE LATEST REVISION.

DIMENSIONS:	TOLERANCES UNLESS OTHERWISE SPECIFIED:
mm	
0 PLC	±
1 PLC	±0.3
2 PLC	±
3 PLC	±
4 PLC	±
ANGLES	±2°
MATERIAL	FINISH
SEE TABLE	SEE TABLE

DWN	H. YAALI	10 JUL 2002
CHK	C. TARTARI	
APVD		
PRODUCT SPEC	108-20020	
APPLICATION SPEC		
WEIGHT	8.16 g	

		tyco Electronics AMP ITALIA S.p.A. Corso F.lli Cervi, 15 COLLEGNO (TO)	
NAME FASTIN-FASTON* Connector, .250" srs. TAB HOUSING, 8 POSITIONS			
SIZE	CAGE CODE	DRAWING NO	RESTRICTED TO
A3	00779	C-280430	-

CUSTOMER DRAWING	SCALE	SHEET	OF	REV
	2:1	1	1	U3