



## Legend plate label mount



Powering Business Worldwide™

**Part no.**

**M22S-ST-GB12**

**Article no.**

**216501**

MAN. 0 AUTO

**Catalog No.**

**M22S-ST-GB12Q**

### Delivery programme

Product range			RMQ-Titan (drilling dimensions 22.5 mm)
Basic function			Accessories
Basic function accessories			Legend holder
Single unit/Complete unit			Single unit
			Complete
Width		mm	30
Height		mm	50
Design			Round
Colour			
			Black
RAL Value			RAL 9005
Inscription			MAN. 0 AUTO
Protection type			IP66
Connection to SmartWire-DT			no

### Approvals

North America Certification

UL/CSA certification not required

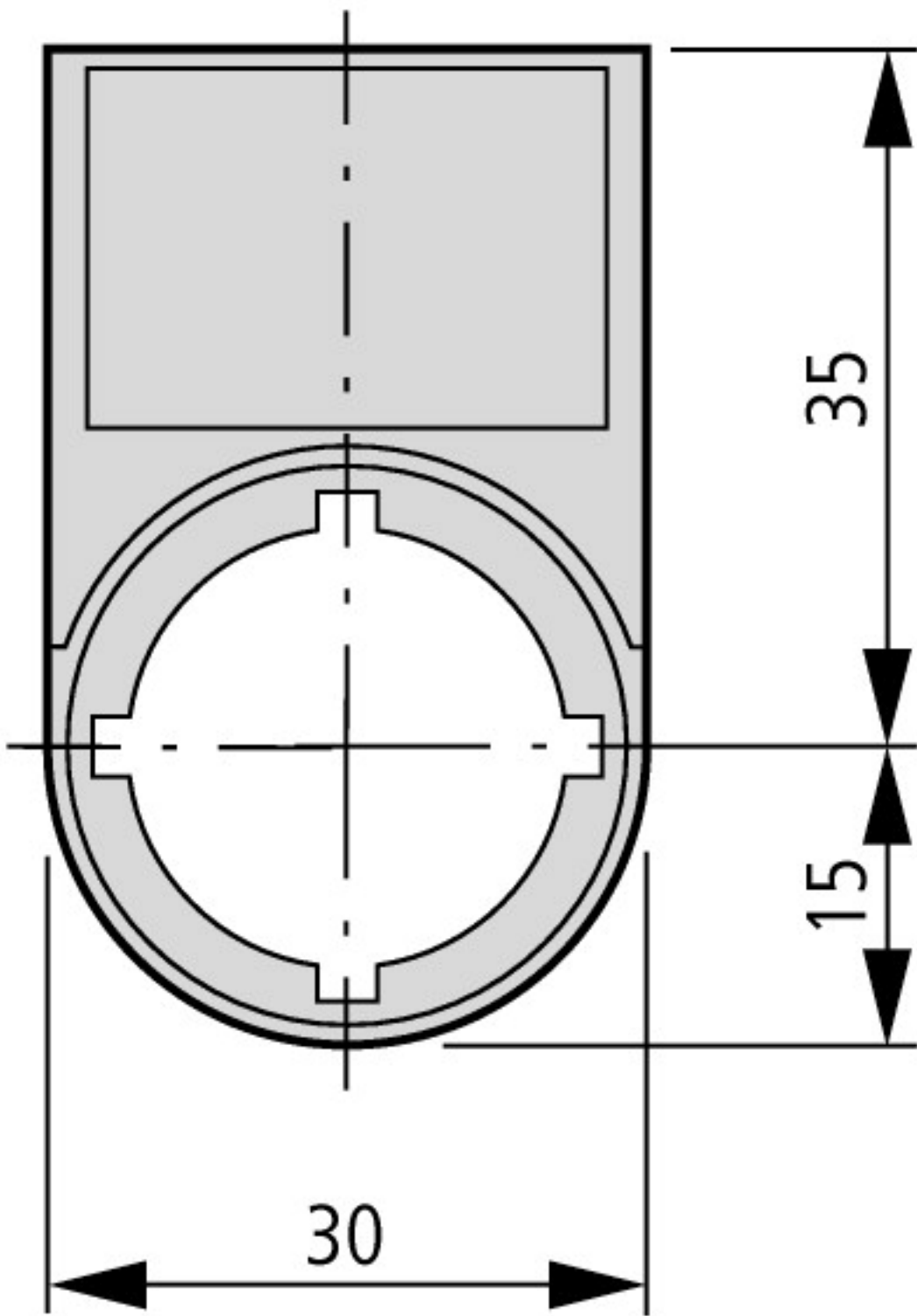
### Technical data ETIM 5.0

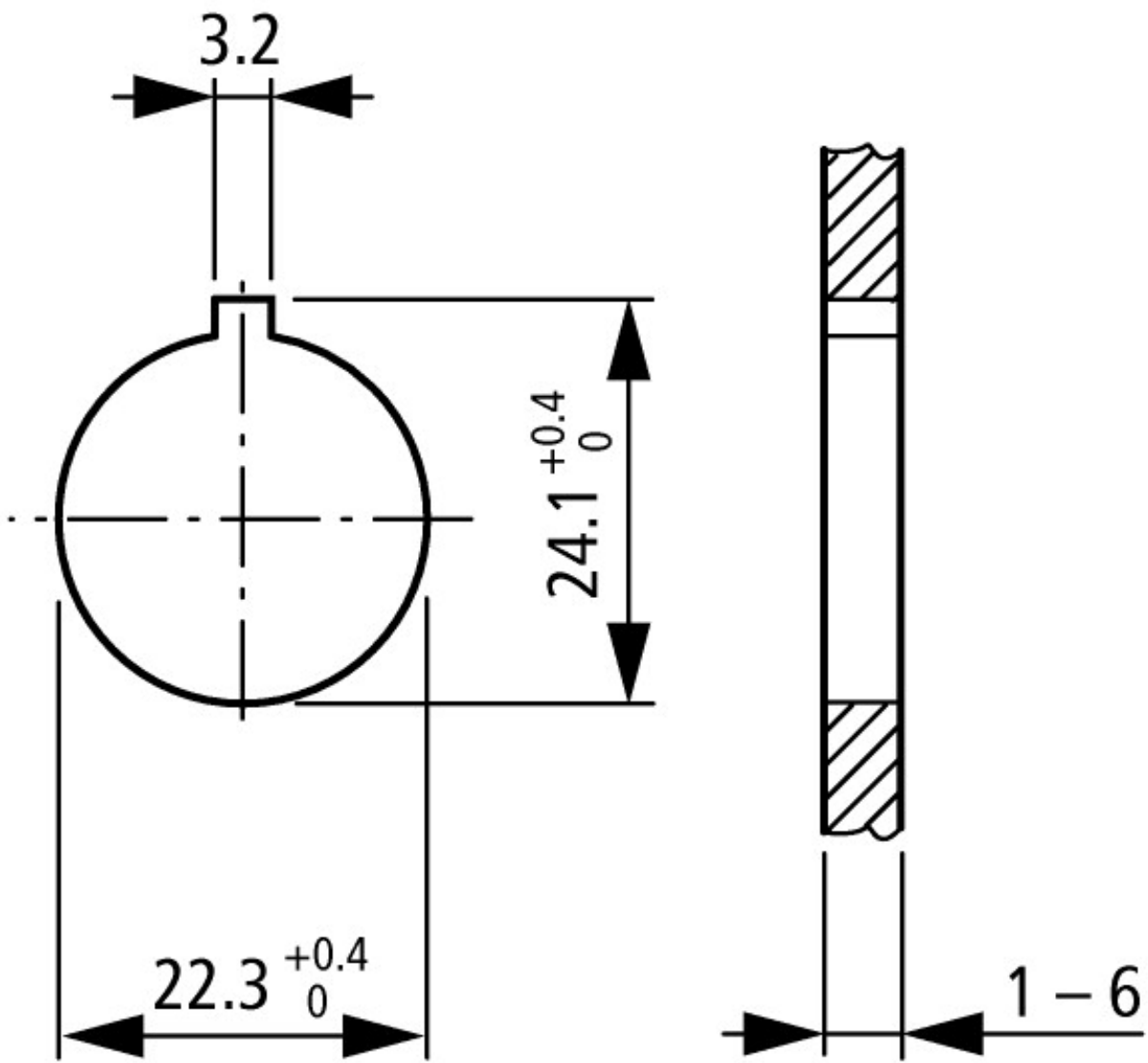
Low-voltage industrial components (EG000017) / Text plate holder for control circuit devices (EC001032)

Electric engineering, automation, process control engineering / Low-voltage switch technology / Command and alarm device / Sign carrier for command devices (eci@ss8-27-37-12-29 [AKF047010])

Width		mm	30
Height		mm	50
Hole diameter		mm	22
Width opening		mm	22
Height meter opening		mm	0
Colour			Black
Shape			Rectangular

### Dimensions





Mounting hole with lug slot

Actuating and indicator elements

### Additional product information (links)

IL04716002Z (AWA1160-1745) RMO-Titan System

IL04716002Z (AWA1160-1745) RMO-Titan System

[ftp://ftp.moeller.net/DOCUMENTATION/AWA\\_INSTRUCTIONS/IL04716002Z2013\\_08.pdf](ftp://ftp.moeller.net/DOCUMENTATION/AWA_INSTRUCTIONS/IL04716002Z2013_08.pdf)