



LF

TYPICAL APPLICATIONS Cooker hoods, hairdryers

- FUNCTIONS**
- 1 step, SP or DP
 - 2 steps, DP
 - 3 steps, DP

CYCLE No. 10.000

CUT OUT Rear panel

AMBIENT TEMPERATURE 125 °C

GWT 850 °C

GWT NO FLAME (<2sec) 750 °C



L F ?

DRAWING



LF2

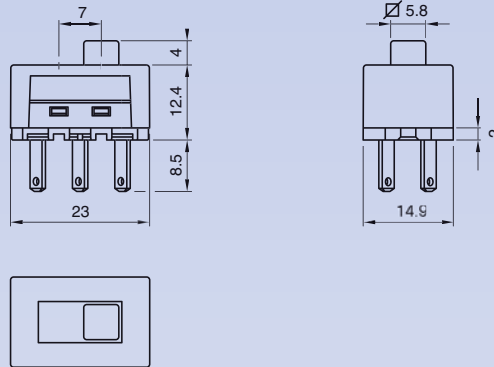


LF3

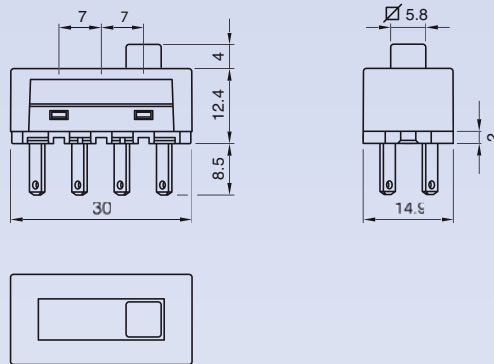


LF4

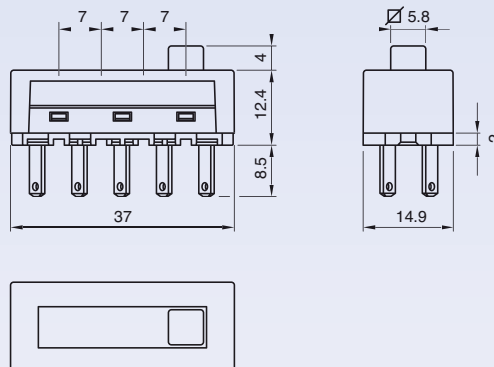
2

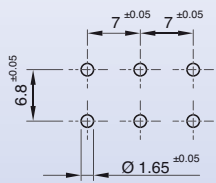


3

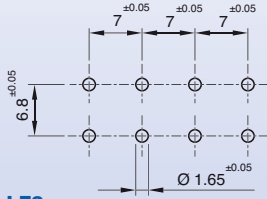


4

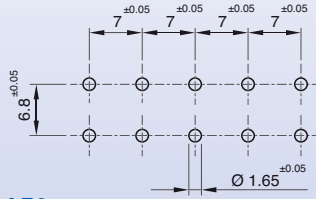




LF2



LF3



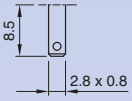
LF4

DRAWING	TERMINAL	FUNCTION	RATING
L	F		
		0	0
		0	W

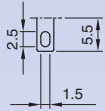
?

TERMINAL

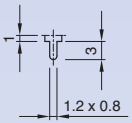
1



2



4

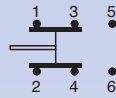


?

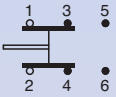
FUNCTION

Drawing 2

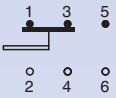
A



B

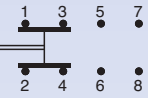


E

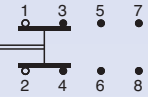


Drawing 3

A

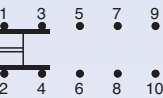


B

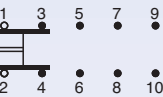


Drawing 4

A



B



?

RATING

3

8 (3) A / 250 VAC
T125 °C
EN 61058

8 A / 125 VAC
T65 °C
UL 1054

0 0 0 W