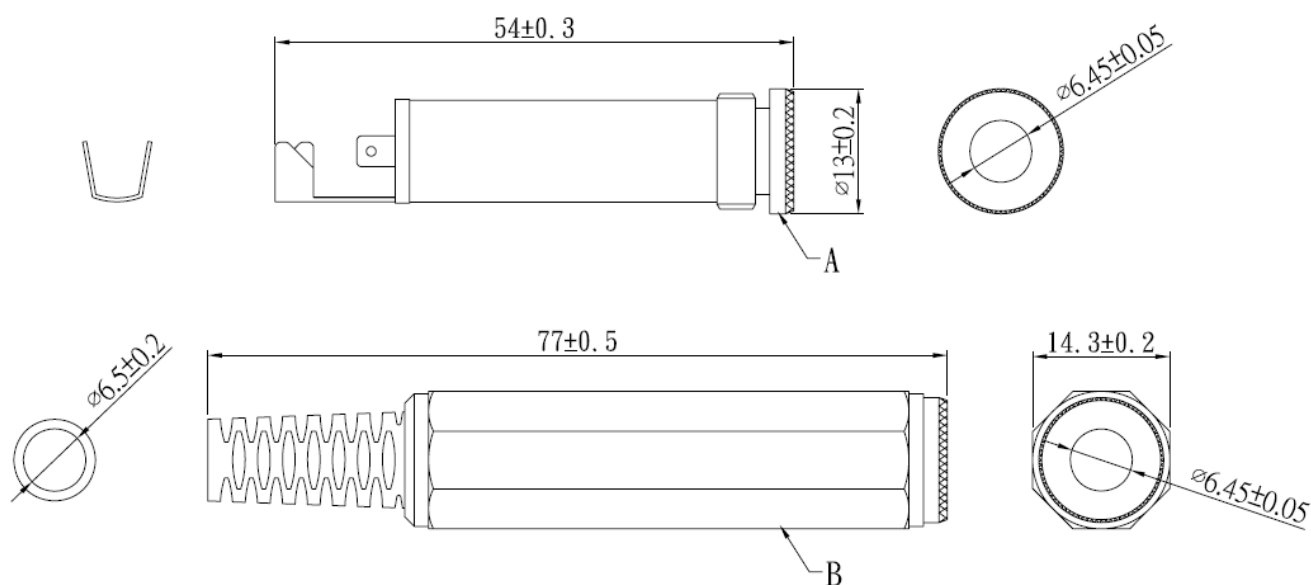


Datasheet

3 way Commercial Insulated Jack

RS Stock number [392-598](#)

Dimensions(mm):



| No. | Description | Unit | Material | Finish/Colour |
|-----|-------------|------|----------|---------------|
| A | 6.3SJ body | 1 | Brass | NI |
| B | Plastic Cap | 1 | PE | B |