

Datasheet

Metal Buffer Rubber +80°C 40daN -40°C Threaded Stud 64mm 10 (Dynamic) mm, 4 (Static) mm 100 (Dynamic)daN M8

RS Stock number 811-2533

RS Diabolo Buffers

The elastic buffers can be used in these two possibilities:

As Buffers:

The impact takes place as an end of stroke, taking into account the maximum deflection the stop may give.

As elastic mounts.

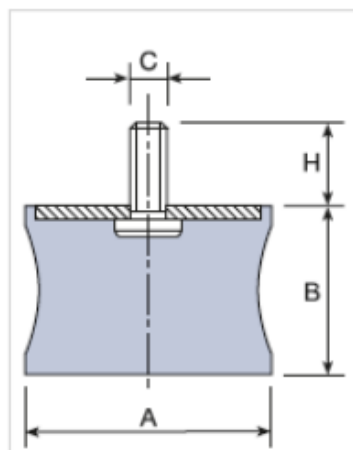
When installed as elastic mounts, the buffers may be screwed to the base of the machine so that its flat surface rests directly on the floor or ground.

Applications

As buffers: In any case for limiting a flexible element.

- End of stroke of spring or damper.
- End of stroke of cranes and hoists.
- Setting of fragile material in packing.

Technical data



| RS Ref: | AMC Ref: | A | B | C | H | DYNMIC | | STATIC | |
|---------|----------|----|----|------|----|---------------|-------------|---------------|-------------|
| | | | | | | LOAD max. daN | DEFLECT. mm | LOAD max. daN | DEFLECT. mm |
| 8112546 | 114001 | 30 | 23 | M-8 | 20 | 90 | 9 | 40 | 5 |
| 8112533 | 114003 | 60 | 44 | M-8 | 20 | 100 | 10 | 40 | 4 |
| 8112555 | 114005 | 60 | 60 | M-10 | 25 | 350 | 15 | 150 | 8 |
| 8112586 | 114008 | 95 | 70 | M-16 | 45 | 1000 | 18 | 400 | 9,5 |