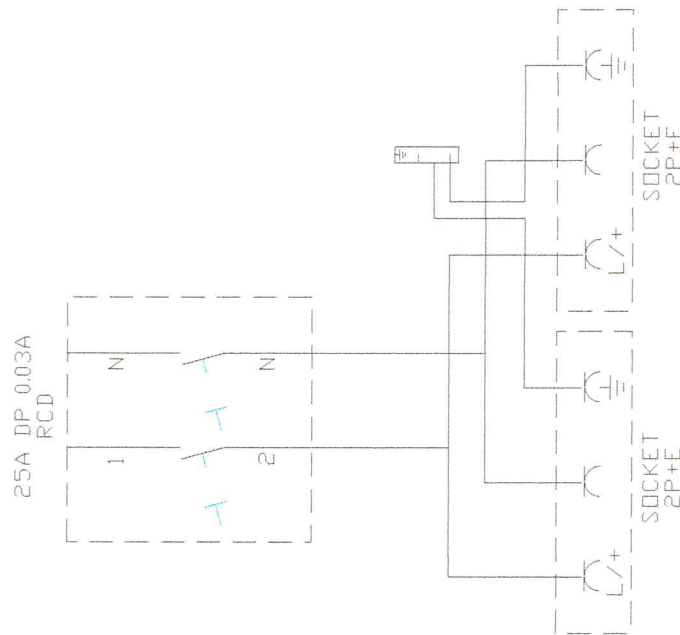
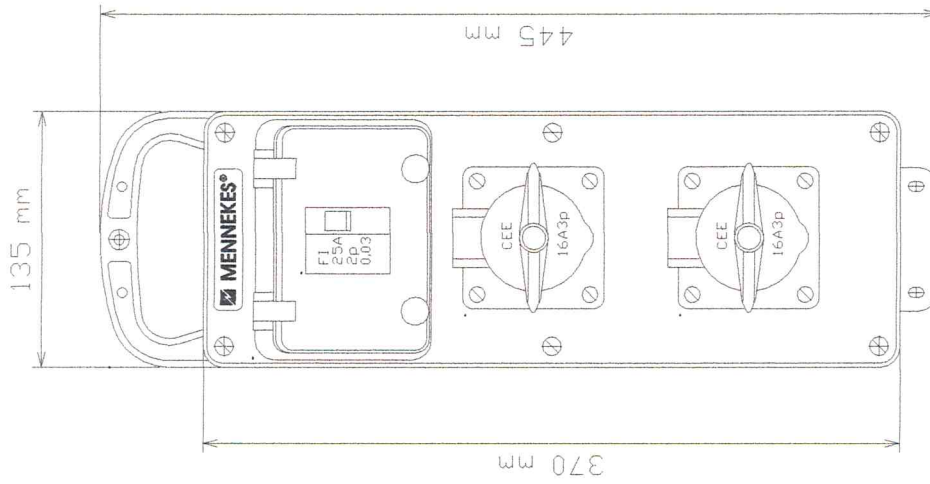


Cat. No. 52654  
 Two socket outlets IP44  
 110V 16A 2P + E  
 protected by one 30mA RCD  
 EVERGUM enclosure



QA  
12

Drawing: 52654  
 10.05.1999  
 Issue 2