

CBF SERIES

CABLE HOOK



MS·MSN·MSY·MSR Optional parts



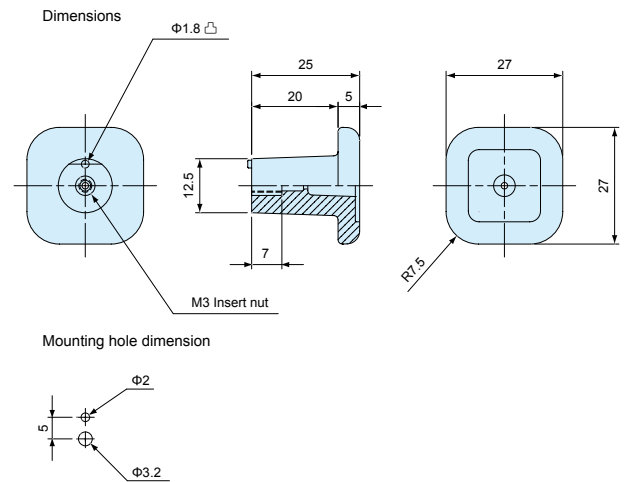
FEATURE

- Require 1.0~3.0mm thickness of panel to install.

Part no. / dimensions

Part no.	Color	Material	Pcs
CBF-1G	Gray	POM	4
CBF-1B	Black	POM	4

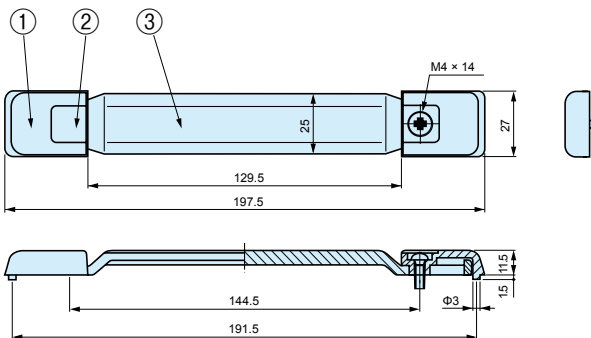
※ M3 × 8 Screws attached.



MY SERIES

MY CARRYING HANDLE

MS Optional parts



Components

1pack = 1set

Ref. #	Part name	Pcs	Material	Color / Finish
1	Holder	2	PC	Gray · Black
2	Blind cap	2	PE	Gray · Black
3	Grip	1	PE	Gray · Black
—	M4 × 14 Screw	2	Steel	Trivalent chromate
—	Slide nut	2	Brass / PE	Nickel / Black

Part no. / dimensions

Part no.	Color	Max load
MY-197G	Gray	20kgf
MY-197B	Black	20kgf

● Impossible to install to D=160mm of MS series.