

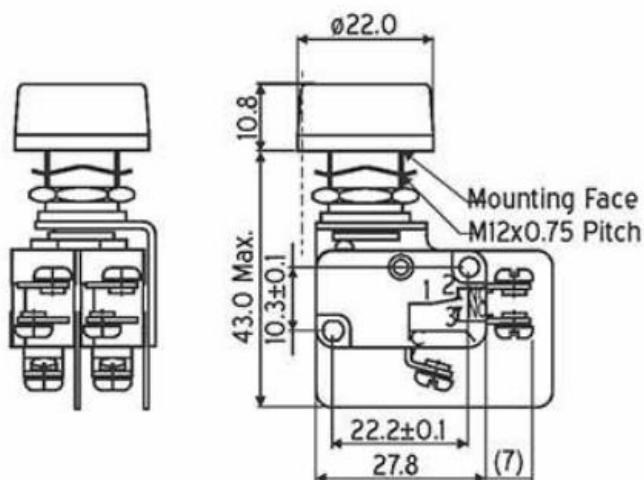
## Datasheet

# DP-CO Cap Microswitch, 0.1 A@ 110 V dc, 0.6 A@ 110 V dc, 16 A@ 250 V ac

RS Stock 797-2567



### Dimensions: (mm)





ENGLISH

## Specifications

Characteristics	
Circuit facilities	Double pole changeover
Actuating force	800 gms (max)
Release force	160gms (min)
Centre distance between two adjacent units	29.0mm (min)
Cut- out size	2.5mm