

Product Information



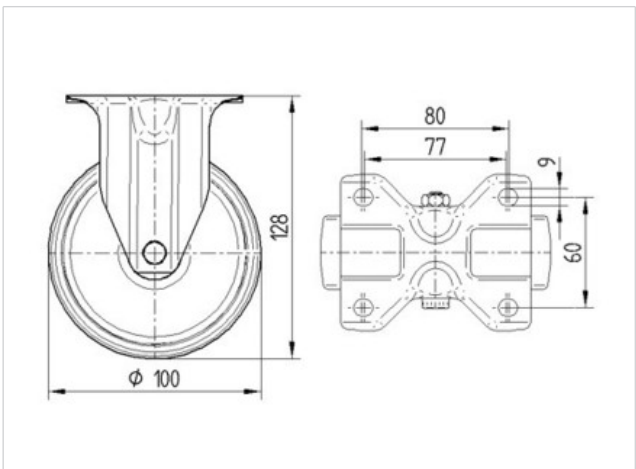
8478BOG100P62

EAN 4031582347074

Fixed castor, Fork made of Stainless Steel, wheel axle with nut, plate fitting.

Wheel made of heat resisting synthetic material, self-lubricating bushing

Technical Data	
Wheel diameter	100 mm
Width of Tread	35 mm
Size of Plate	100 x 85 mm
Plate hole centres	80/77 x 60 mm
Plate hole	9 mm
Overall height	128 mm
Temperature	- 40 / + 280 °C
Standard	EN 12532
Weight	0.512 kg
Hardness of tread	D 85 Shore
Load capacity	125 kg
Load capacity (static)	250 kg



Roll performance	+	+	+	+	+
Movement noise	+	+	+	+	+
Attrition	+	+	+	+	+
Corrosion resistance	+	+	+	+	+

Product Information



8478BOG100P62

EAN 4031582347074

