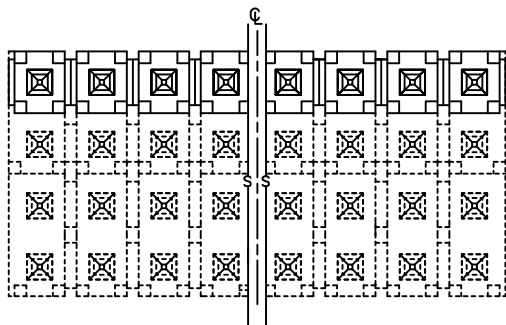
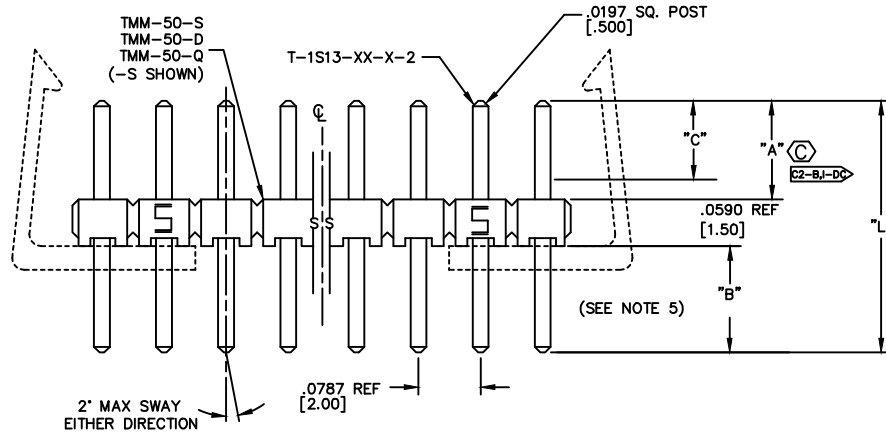
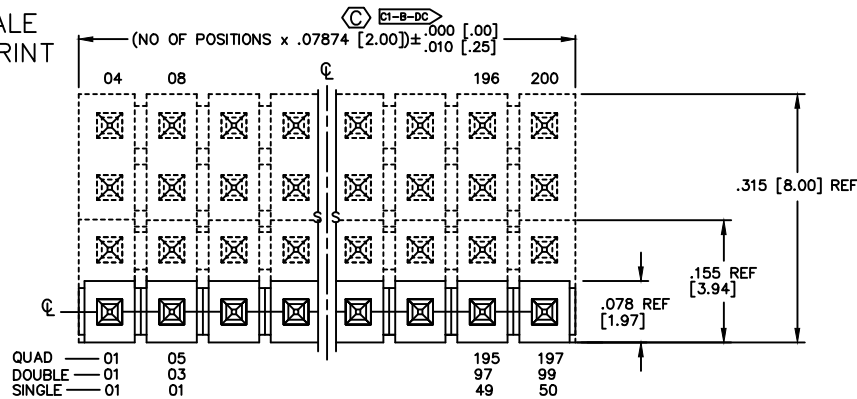


REVISION AW

FIG. 1

DO NOT SCALE FROM THIS PRINT



DIMENSIONS ARE IN INCHES UNLESS OTHERWISE NOTED		TOLERANCES ARE:	TITLE: 2mm TERMINAL STRIP ASSEMBLY	DWG NO: TMM-1XX-XX-XX-X-XX-XXX
ONE PLACE DECIMALS ±1[2.5]	THREE PLACE DECIMALS ±.005 [.13]	ANGLES ± 2°		SHEET 1 OF 2
TWO PLACE DECIMALS ±.01[.25]	FOUR PLACE DECIMALS ±.0020[.05]			

** -MW OPTION, DO NOT DESIGN IN. SAMTEC WILL ONLY SUPPORT EXISTING BUSINESS 2/05/02.

TMM-1XX-XX-XX-X-XX-XXX

NO. OF POSITIONS -01 THRU -50

TERMINAL SPEC SEE TABLE 1

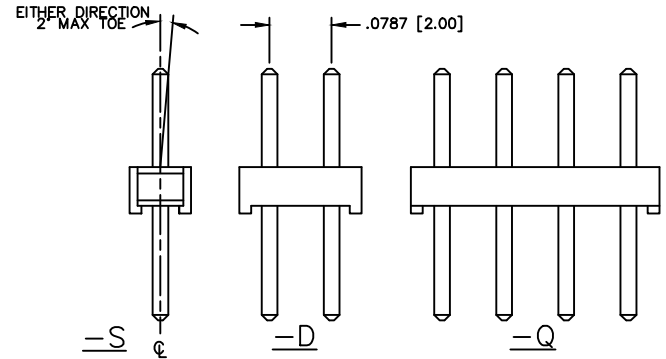
OPTION POLARIZATION SPECIFY POS -XXX AS POS TO BE OMITTED

OPTION ** -MW: METAL WASHER (-D & -Q BODY SPECS ONLY) (30 POS PER ROW MAX) (SEE TABLE 2 PAGE 2)

-RC: RETAINING CLIP FOR IDC USE LTC-09, DOUBLE ROW ONLY, REQUIRES 4 POSITIONS MINIMUM, NOT FOR USE WITH -MW OPTION, SEE NOTES 9 & 10.

BODY SPECIFICATION
-S: SINGLE (TMM-50-S)
-D: DOUBLE (TMM-50-D)
-Q: QUAD (TMM-50-Q)

- PLATING SPECIFICATION
- G: 20µ" GOLD IN THE CONTACT AREA, 3 GOLD ON TAIL
 - T: MATTE TIN CONTACT AND TAIL
 - S: 30µ" SELECTIVE GOLD IN CONTACT AREA, MATTE TIN ON TAIL
 - L: 15µ" GOLD IN THE CONTACT AREA, MATTE TIN ON TAIL
 - F: 3µ" FLASH SELECTIVE GOLD IN CONTACT AREA, MATTE TIN ON TAIL
 - H: 30µ" HEAVY GOLD IN CONTACT AREA, 3 ON TAIL
 - SM: 30µ" SELECTIVE GOLD IN CONTACT AREA,, MATTE TIN ON TAIL
 - TM: MATTE TIN CONTACT AND TAIL
 - LM: 15µ" GOLD IN THE CONTACT AREA, MATTE TIN ON TAIL
 - FM: 3µ" FLASH SELECTIVE GOLD IN CONTACT AREA, MATTE TIN ON TAIL



- NOTES:
- MAX. ALLOWABLE BOW: .005 IN/IN [mm/mm] AFTER ASSEMBLY.
 - MAX. PIN ROTATION IN BODY: 2'
 - PUSHOUT FORCE SHALL BE 1 lb MIN.
 - ⊕ REPRESENTS A CRITICAL DIMENSION.
 - TAIL WILL BE SHEARED ON -04 & -05, REFERENCE TABLE 1.
 - MAX CUT FLASH .010 [.25].
 - MAX SHEAR BURR .003 [.08].
 - ORIENTATE PINS TO PREVENT BANDOLIER MARKS FROM SHOWING IN THE POST AREA. (SEE TABLE 3)
 - APPROVED FOR WAVE SOLDER APPLICATION ONLY.
 - RETAINING CLIP FOR -06 LEAD STYLE ONLY.

TABLE 1

SUFFIX	TERMINAL	POST "A" IN. [MM]	TAIL "B" IN. [MM]	CONTACT AREA "C" IN. [MM]	STRAIGHT "L" (OVERALL LENGTH)
-01	T-1S13-20-XX-2	.126 [3.20]	.138 [3.50] REF	.100 [2.54] REF	.323 [8.20] REF
-02	T-1S13-20-XX-2	.146 [3.70]	.118 [3.00] REF	.100 [2.54] REF	.323 [8.20] REF
-03	T-1S13-20-XX-2	.158 [4.00]	.106 [2.70] REF	.100 [2.54] REF	.323 [8.20] REF
-04	T-1S13-20-XX-2	.075 [1.90]	.090±.010 [2.29±.25] (SEE NOTE 5)	.100 [2.54] REF	.323 [8.20] REF "BEFORE SHEAR"
-05	T-1S13-21-XX-2	.065 [1.65]	.090±.010 [2.29±.25] (SEE NOTE 5)	.080 [2.03] REF	.323 [8.20] REF "BEFORE SHEAR"
-06	T-1S13-02-XX-2	.126 [3.20]	.192 [4.88] REF	.100 [2.54] REF	.377 [9.58] REF

CRITICAL DIMENSION INSPECTION TABLE

ASSEMBLY OPERATION	IN-PROCESS INSPECTION
FILL T-1S13	C2*, C3
REPRESS METAL WASHER	C2*
MULTI CUT	C1

* WHERE APPLICABLE

MATERIAL:
BODIES:
LIQUID CRYSTAL POLYMER
COLOR: BLACK
TERMINALS:
PHOSPHOR BRONZE, ALLOY

EXISPROD ASSEMBLY 2MM TMM-ASM

samtec

520 PARK EAST BLVD. NEW ALBANY, INDIANA 47150
PHONE (812) 944-6733 P.O. BOX 1147
CODE 55322

MADE BY: REIDINGER 11-2-90

TMM-1XX-XX-XX-X-XX-XXX
SHEET 1 OF 2

PROPRIETARY NOTE
THIS DOCUMENT CONTAINS INFORMATION CONFIDENTIAL AND PROPRIETARY TO SAMTEC INC. AND SHALL NOT BE REPRODUCED OR TRANSMITTED TO OTHERS OR USED FOR ANY PURPOSE OTHER THAN THAT FOR WHICH IT WAS OBTAINED WITHOUT THE EXPRESSED WRITTEN CONSENT OF SAMTEC INC.