

Datasheet

RS Pro Thermostat, -73°C +315°C

RS Stock No: **436-0211**



Product Details

RS Pro thermostat has a operating temperature range of -73 to +315°C. This fast response thermostat operates on the principle of the differential expansion of metals. It features stainless steel shell with 1/2 Inch NPT brass head, suitable for liquids/gasses.

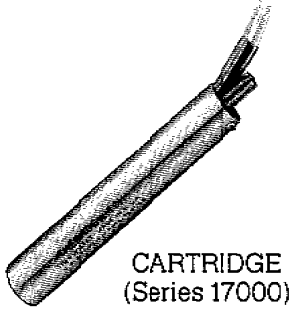
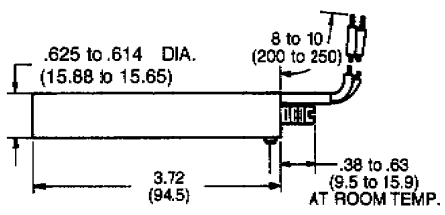

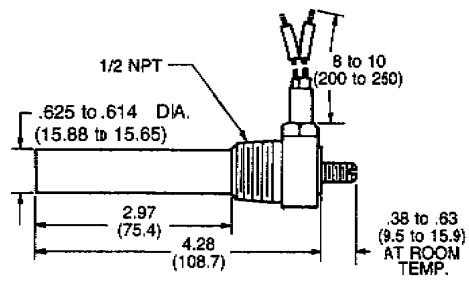

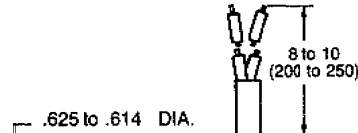
Features and Benefits

- Operates on the principle of the differential expansion of metals
- A precision thermostat for use with liquids/gasses
- Temperature adjustment via an external screw with working mechanism
- Fast response
- Stainless steel shell with 1/2 Inch NPT brass head
- Contacts open on temperature rise

Specifications:

Maximum Temperature	+315°C
Minimum Temperature	-73°C
Switch Function	Open On Rise
Material	Stainless Steel (Shell), Brass (Head)

THERMOSWITCH C

THERMOSWITCH UNIT TYPE	DIMENSIONS	DESCRIPTION
 <p>CARTRIDGE (Series 17000)</p>		<p>The basic element of all THERMOSWITCH controllers. Has all the desirable features of the ideal thermostat - high sensitivity, wide adjustment range, small size, rugged construction, vibration resistance, and low cost.</p> <p>This unit can be inserted into a .6 in (15.88 mm) reamed hole.</p> <p>Approximate weight is 2.5 ounces (70 grams).</p>
 <p>HEX HEAD (Series 17100)</p>		<p>Has all the internal features of the Cartridge Type above plus the addition of a standard pipe thread for mounting purposes.</p> <p>Approximate weight is 5 ounces (140 grams).</p>
		<p>This unit has the same mounting characteristics as the Cartridge Type but is designed so modifications may be made.</p>