

**Ordering number CA11663_HEIDI-RS**

Family	Heidi	FWHM	7 degrees
Type	Assembly	Efficiency	93 %
LED	Z5	cd/lm	32.700
Color	Clear	Gerber File	Available
Diameter	21.6 mm		
Height	11.7 mm		
Style	Round		
Optic Material	PMMA		
Holder Material	-		
Fastening	Pin, tape		
Status	Ready		

**Ordering number CA11264_HEIDI-D**

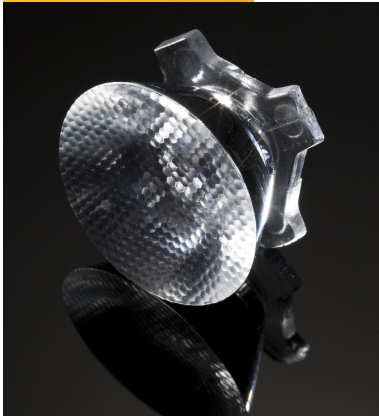
Family	Heidi	FWHM	8 degrees
Type	Assembly	Efficiency	87 %
LED	Z5	cd/lm	22.300
Color	Clear	Gerber File	Available
Diameter	21.6 mm		
Height	11.7 mm		
Style	Round		
Optic Material	PMMA		
Holder Material	-		
Fastening	Pin, tape		
Status	Ready		

**Ordering number CA11267_HEIDI-O-90**

Family	Heidi	FWHM	8+50 degrees
Type	Assembly	Efficiency	86 %
LED	Z5	cd/lm	4.900
Color	Clear	Gerber File	Available
Diameter	21.6 mm		
Height	11.7 mm		
Style	Round		
Optic Material	PMMA		
Holder Material	-		
Fastening	Pin, tape		
Status	Ready		

**Ordering number CA12435_HEIDI-ON-90**

Family	Heidi	FWHM	8+38 degrees
Type	Assembly	Efficiency	90 %
LED	Z5	cd/lm	7.000
Color	Clear	Gerber File	Available
Diameter	21.6 mm		
Height	11.7 mm		
Style	Round		
Optic Material	PMMA		
Holder Material	-		
Fastening	Pin, tape		
Status	Ready		

**Ordering number CA12242_HEIDI-SS**

Family	Heidi	FWHM	14 degrees
Type	Assembly	Efficiency	92 %
LED	Z5	cd/lm	6.800
Color	Clear	Gerber File	Available
Diameter	21.6 mm		
Height	11.7 mm		
Style	Round		
Optic Material	PMMA		
Holder Material	-		
Fastening	Pin, tape		
Status	Ready		

**Ordering number CA11265_HEIDI-M**

Family	Heidi	FWHM	28 degrees
Type	Assembly	Efficiency	87 %
LED	Z5	cd/lm	3.670
Color	Clear	Gerber File	Available
Diameter	21.6 mm		
Height	11.7 mm		
Style	Round		
Optic Material	PMMA		
Holder Material	-		
Fastening	Pin, tape		
Status	Ready		

**Ordering number CA11268_HEIDI-W**

Family	Heidi	FWHM	32 degrees
Type	Assembly	Efficiency	86 %
LED	Z5	cd/lm	3.040
Color	Clear	Gerber File	Available
Diameter	21.6 mm		
Height	11.7 mm		
Style	Round		
Optic Material	PMMA		
Holder Material	-		
Fastening	Pin, tape		
Status	Ready		

**Ordering number CA12434_HEIDI-ON**

Family	Heidi	FWHM	38+8 degrees
Type	Assembly	Efficiency	90 %
LED	Z5	cd/lm	7.000
Color	Clear	Gerber File	Available
Diameter	21.6 mm		
Height	11.7 mm		
Style	Round		
Optic Material	PMMA		
Holder Material	-		
Fastening	Pin, tape		
Status	Ready		

**Ordering number CA12079_HEIDI-W2**

Family	Heidi	FWHM	44 degrees
Type	Assembly	Efficiency	76 %
LED	Z5	cd/lm	1.240
Color	Clear	Gerber File	Available
Diameter	21.6 mm		
Height	11.5 mm		
Style	Round		
Optic Material	PMMA		
Holder Material	-		
Fastening	Pin, tape		
Status	Ready		

**Ordering number CA11266_HEIDI-O**

Family	Heidi	FWHM	50+9 degrees
Type	Assembly	Efficiency	86 %
LED	Z5	cd/lm	4.800
Color	Clear	Gerber File	Available
Diameter	21.6 mm		
Height	11.7 mm		
Style	Round		
Optic Material	PMMA		
Holder Material	-		
Fastening	Pin, tape		
Status	Ready		

NOTE: The typical divergence will be changed by different color, chip size and chip position tolerance. The typical total divergence is the full angle measured where the luminous intensity is half of the peak value.



PRODUCT DATASHEET

Heidi series

last update 5/2/2013



GENERAL INFORMATION

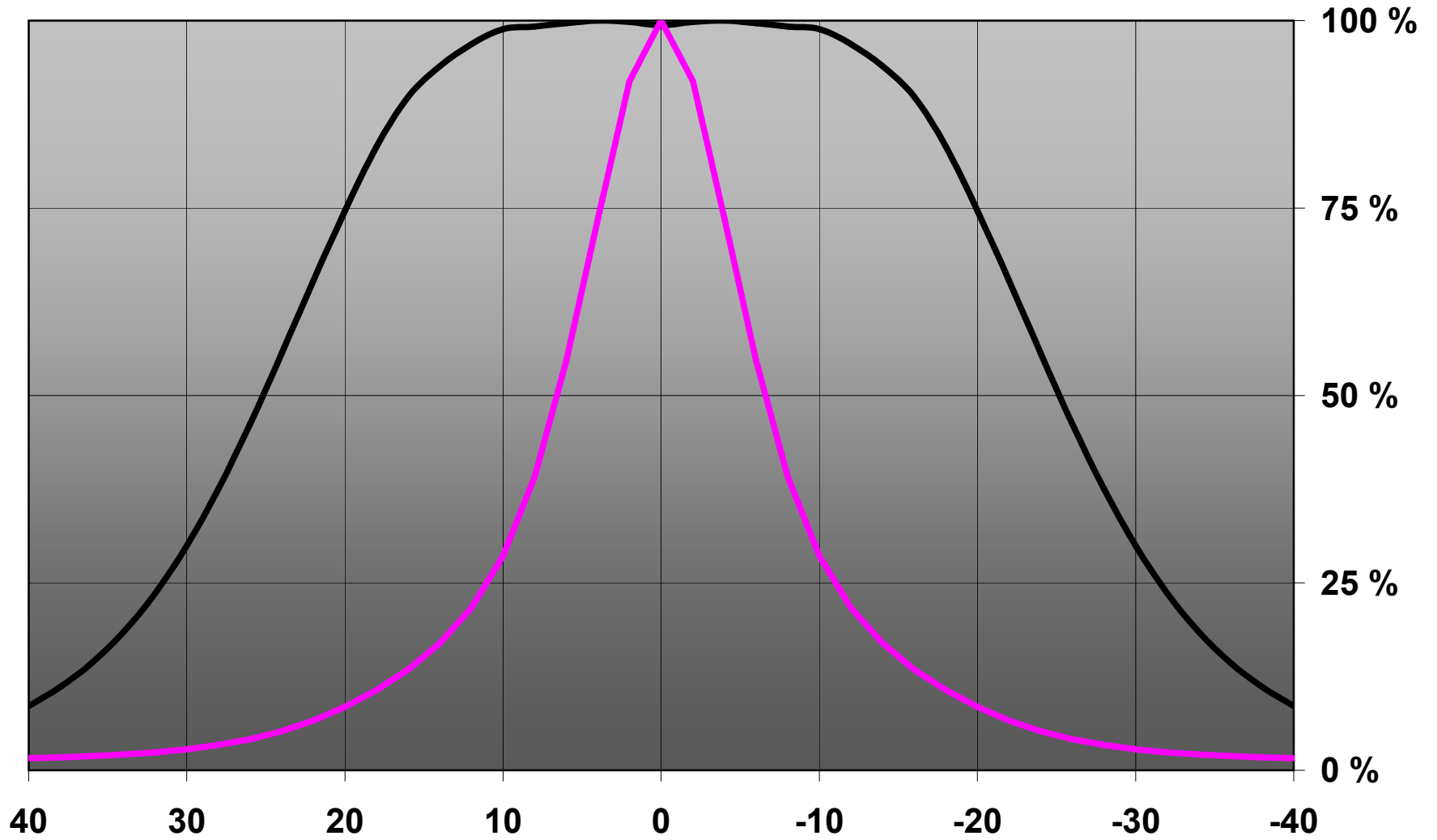
- Product series especially designed & optimized for Z5 series of LEDs.
- Special care taken to make light distribution as uniform as possible.
- Lens material optical grade PMMA with high UV and temperature resistance. Allows use of high current and temperature conditions.

Please find more information about used material from below:

http://ledil.fi/sites/default/files/Documents/Technical/Material/PMMA%20N%20UL94_Yellow%20Card.pdf

<http://ledil.fi/sites/default/files/Documents/Technical/Material/PMMA%20N%20PLEXIGLAS-Datasheet.pdf>

Relative Intensity of CA11266_Heidi-O-XP-G



D

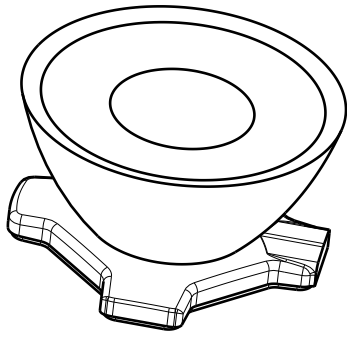
C

B

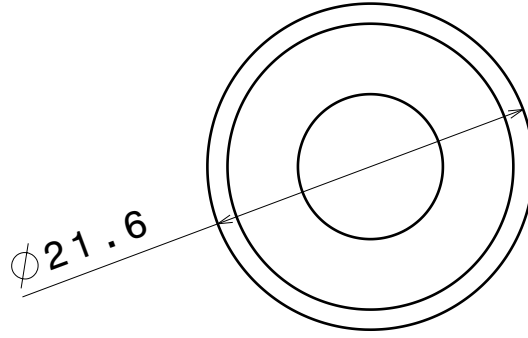
A

4

4



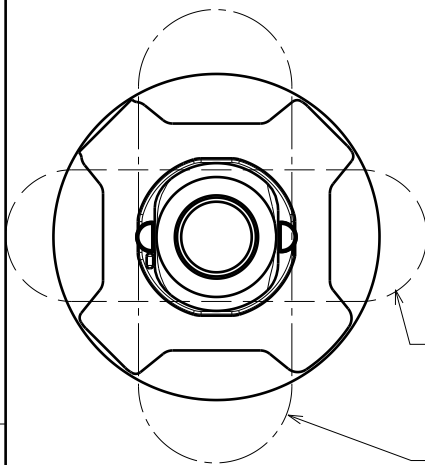
Isometric view



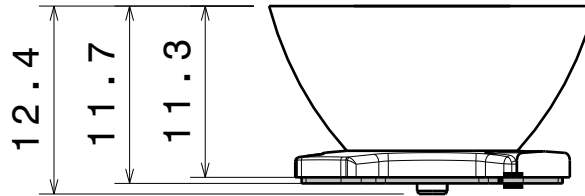
Top view

3

3



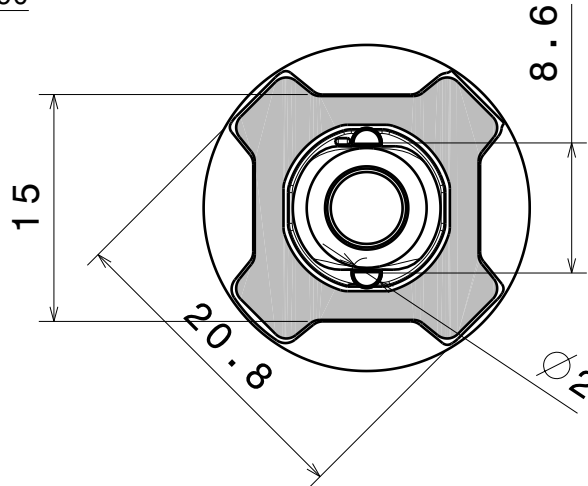
Bottom view
OVAL BEAM direction



Front view

2

2



Bottom view

Material:
Lens PMMA
Tape PU Foam

This drawing is our property.
It can't be reproduced
or communicated without
our written agreement.



Ledil Oy
Salorankatu 10
FIN-24100 SALO
Finland

DRAWING TITLE

Datasheet Heidi-Series Assy

DRAWN BY
ah

DATE
1.2.2012

CHECKED BY

DATE

SIZE
A4

DRAWING NUMBER

REV
2

DESIGNED BY

DATE

SCALE 2:1 WEIGHT (g)

SHEET 1/1

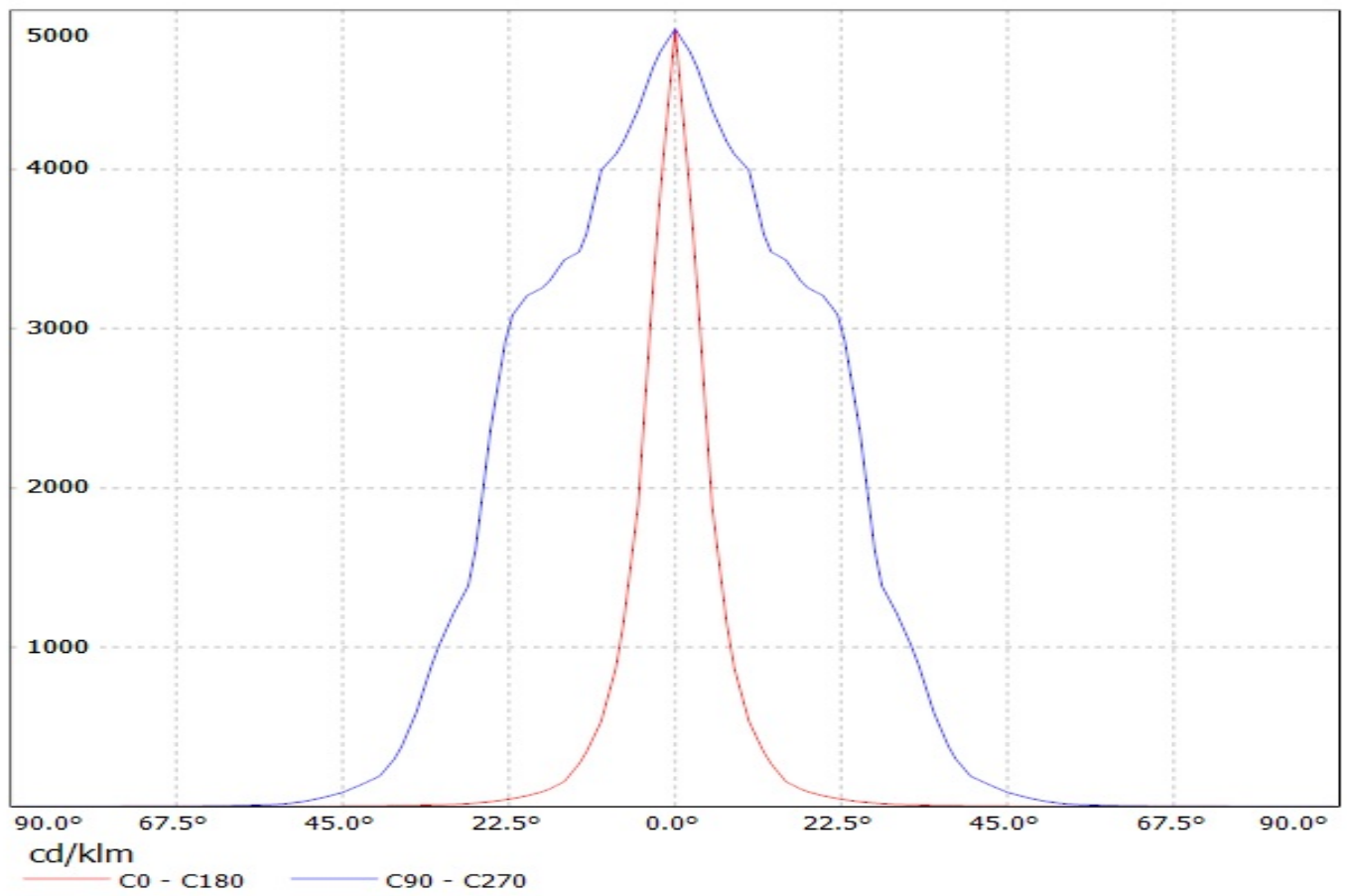
D

A

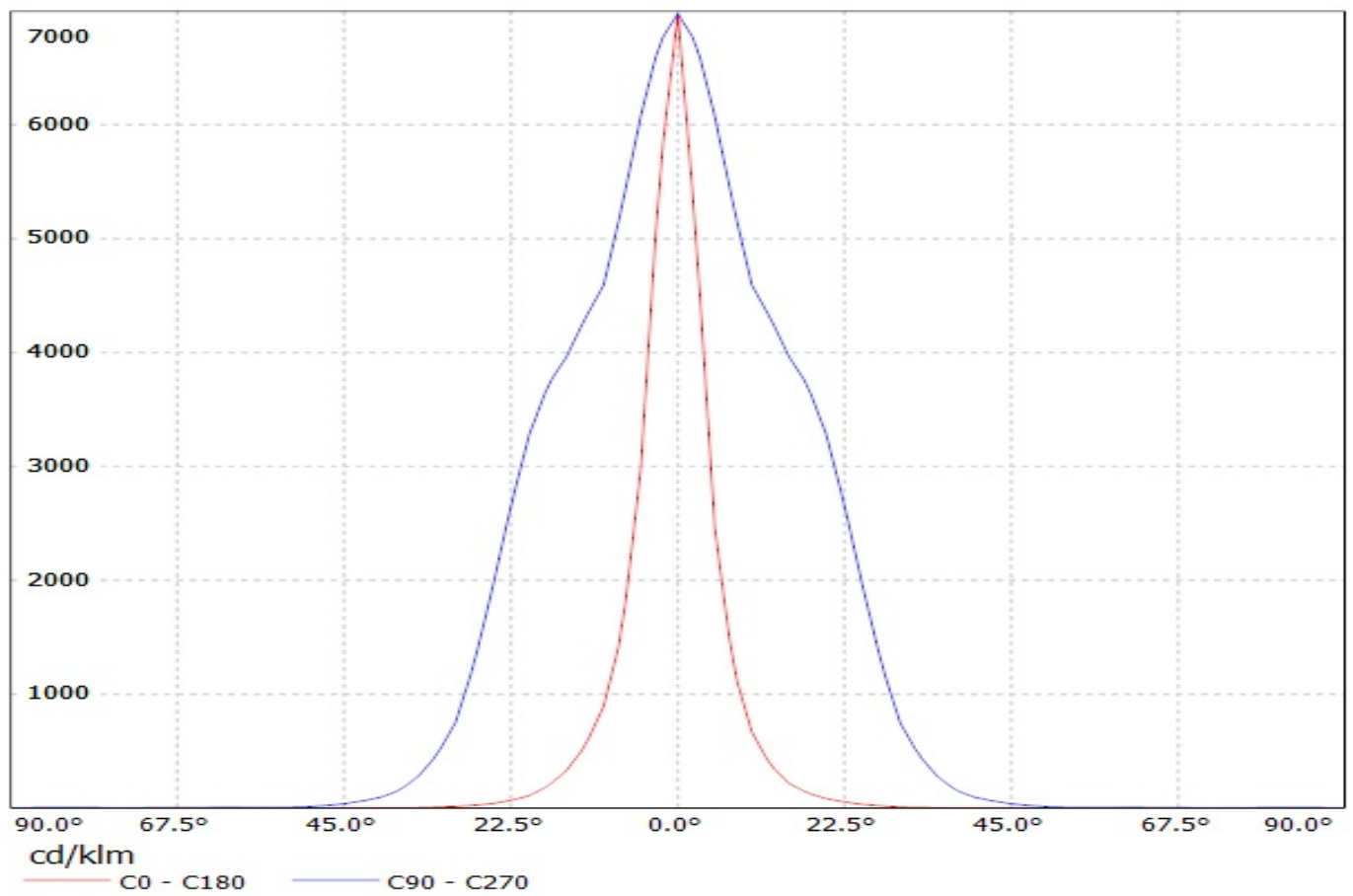
1

1

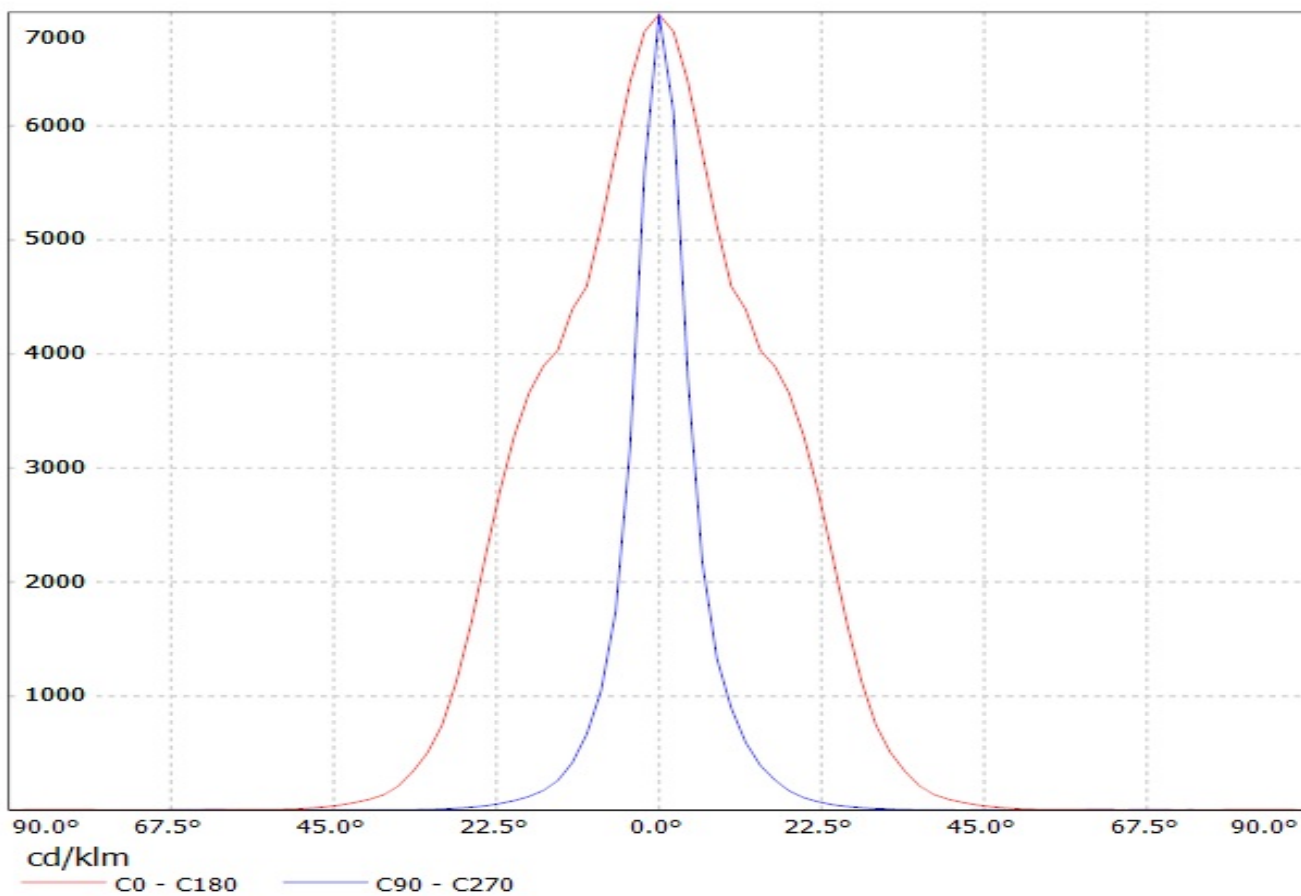
Luminaire: Ledil Oy CA11267_HEIDI-O-90 (Seol Z5 68lm @ 250mA) Efficiency=86%
Lamps: 1 x Seol Z5 68lm @ 250mA



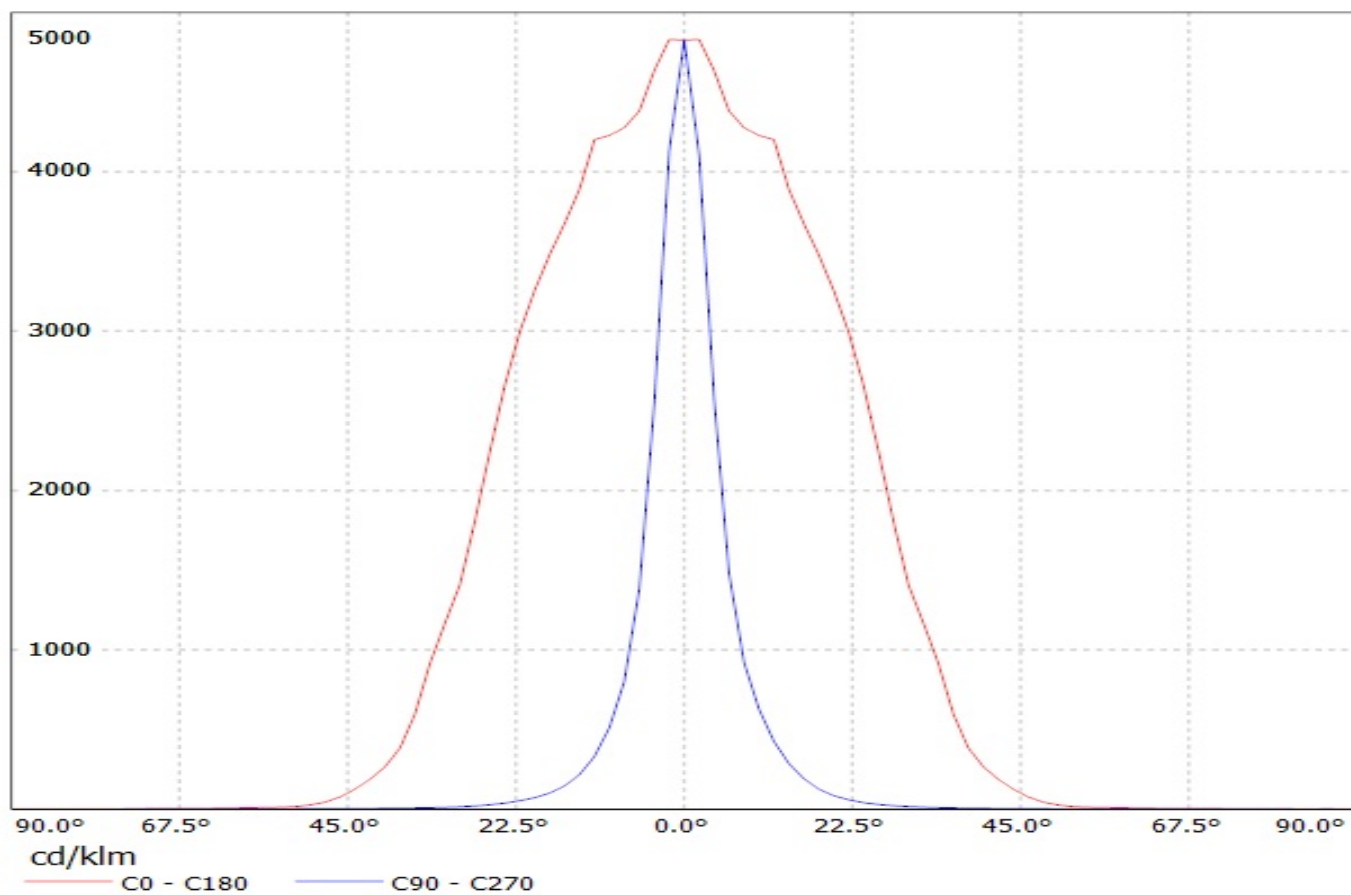
Luminaire: Ledil Oy CA12435_HEIDI-ON-90 (Seoul Z5 68lm @ 250mA) Efficiency=90%
Lamps: 1 x Seoul Z5 68lm @ 250mA



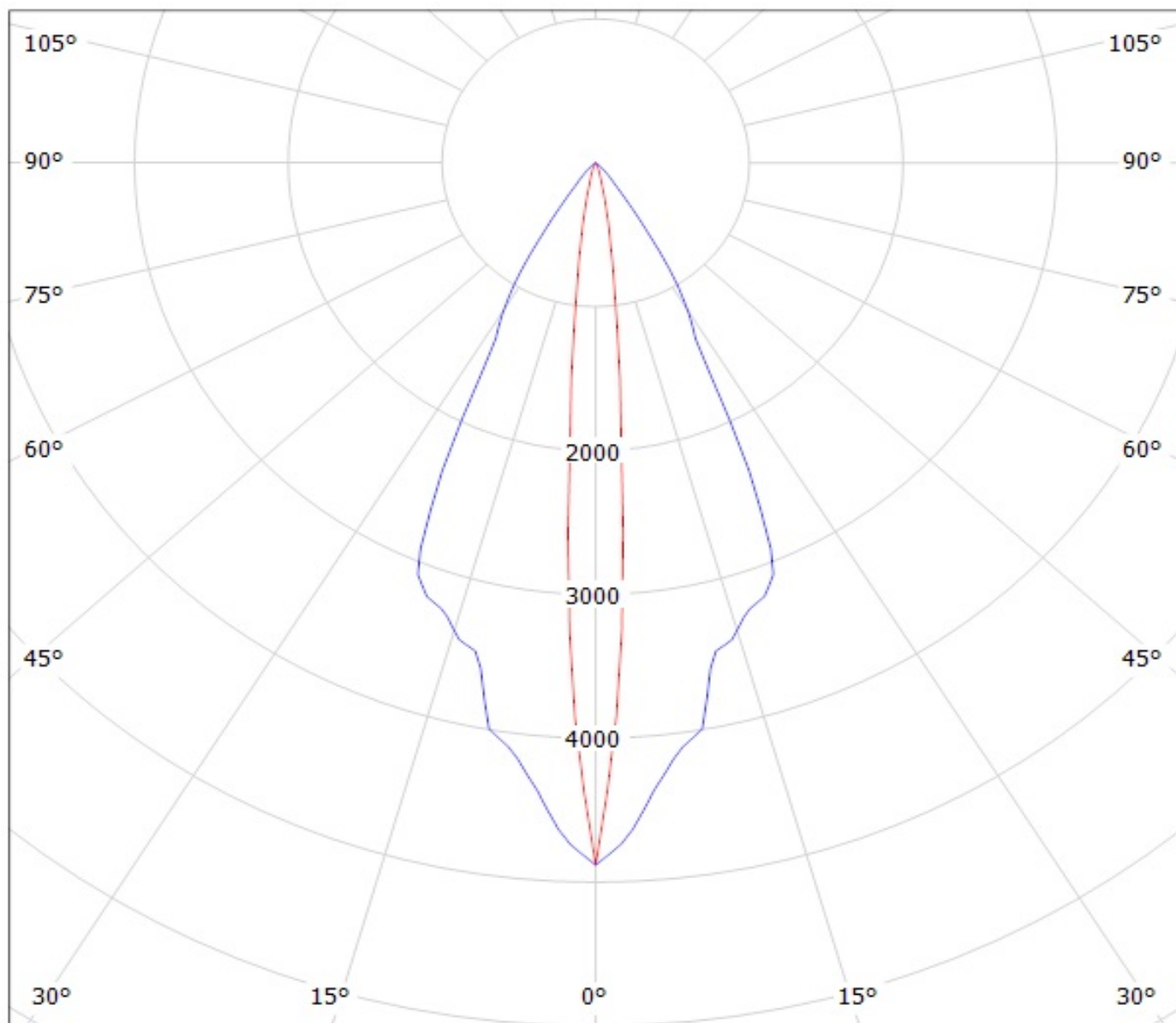
Luminaire: Ledil Oy CA12434_Heidi-ON (Seoul Z5 68lm @ 250mA) Efficiency=90%
Lamps: 1 x Seoul Z5 68lm @ 250mA



Luminaire: Ledil Oy CA11266_HEIDI-O (Seoul Z5 68lm @ 250mA) Efficiency=86%
Lamps: 1 x Seoul Z5 68lm @ 250mA



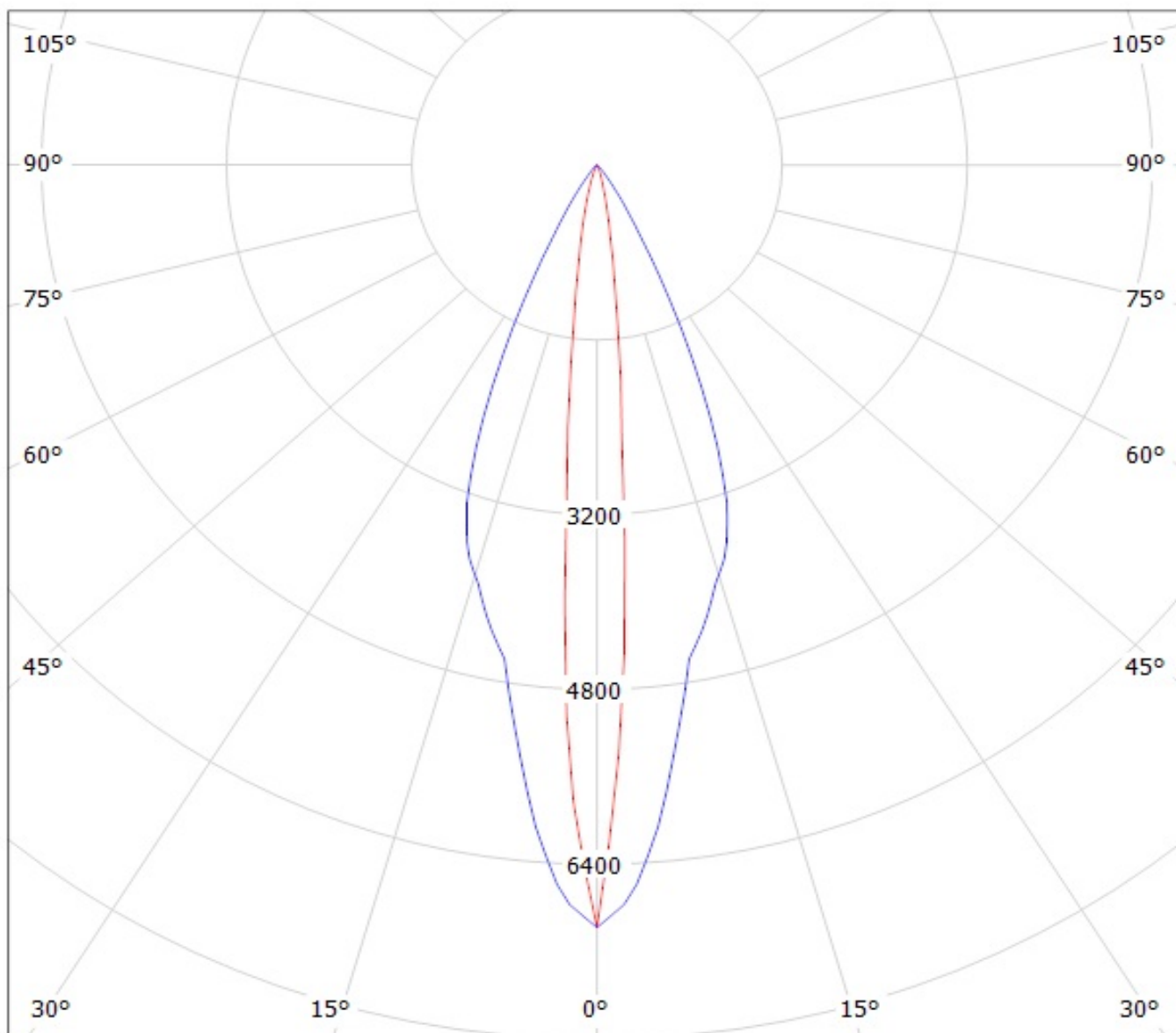
Luminaire: Ledil Oy CA11267_HEIDI-O-90 (Seol Z5 68lm @ 250mA) Efficiency=86%
Lamps: 1 x Seol Z5 68lm @ 250mA



cd/klm

— C0 - C180 — C90 - C270

Luminaire: Ledil Oy CA12435_HEIDI-ON-90 (Seoul Z5 68lm @ 250mA) Efficiency=90%
Lamps: 1 x Seoul Z5 68lm @ 250mA

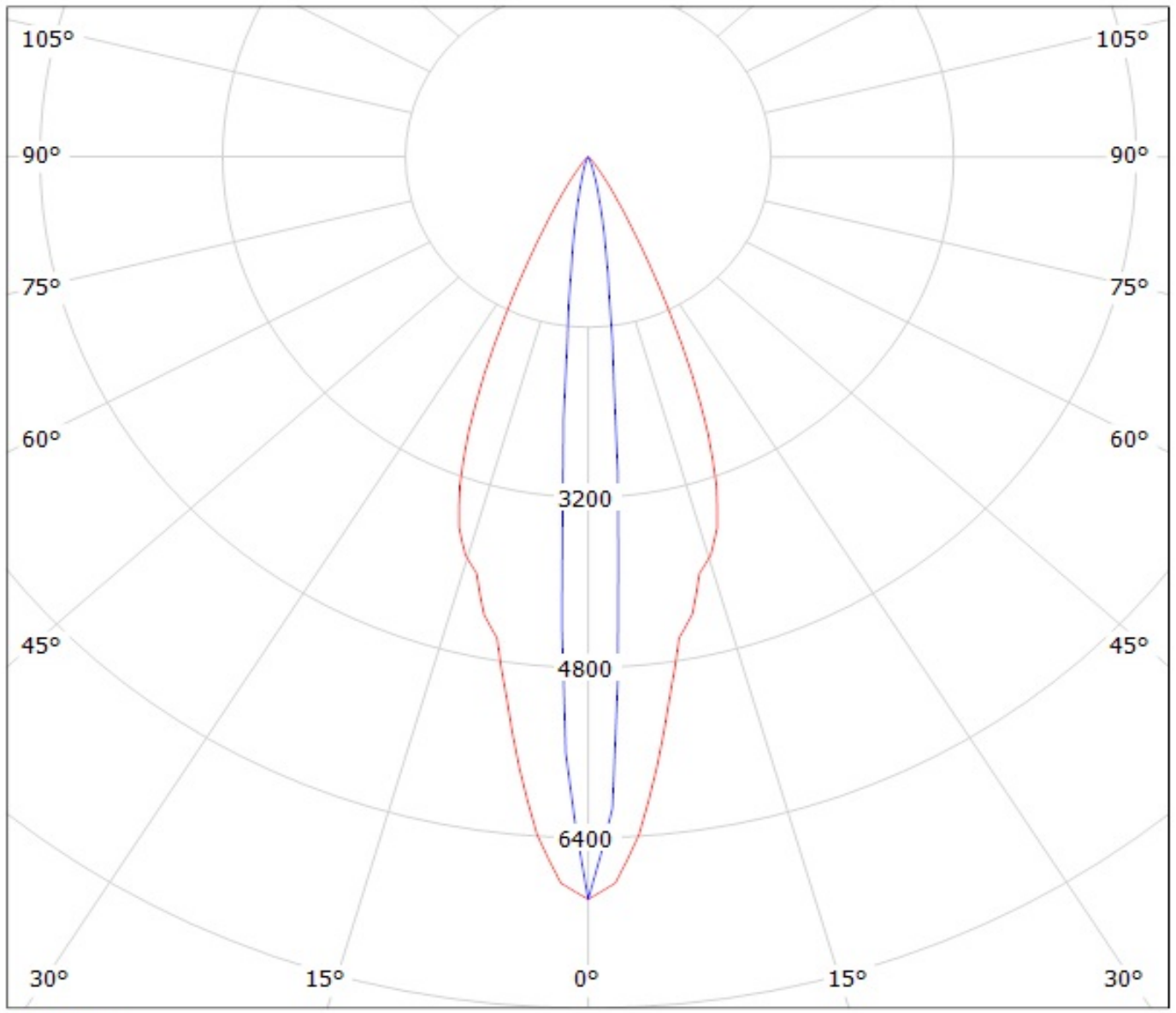


cd/klm

— C0 - C180

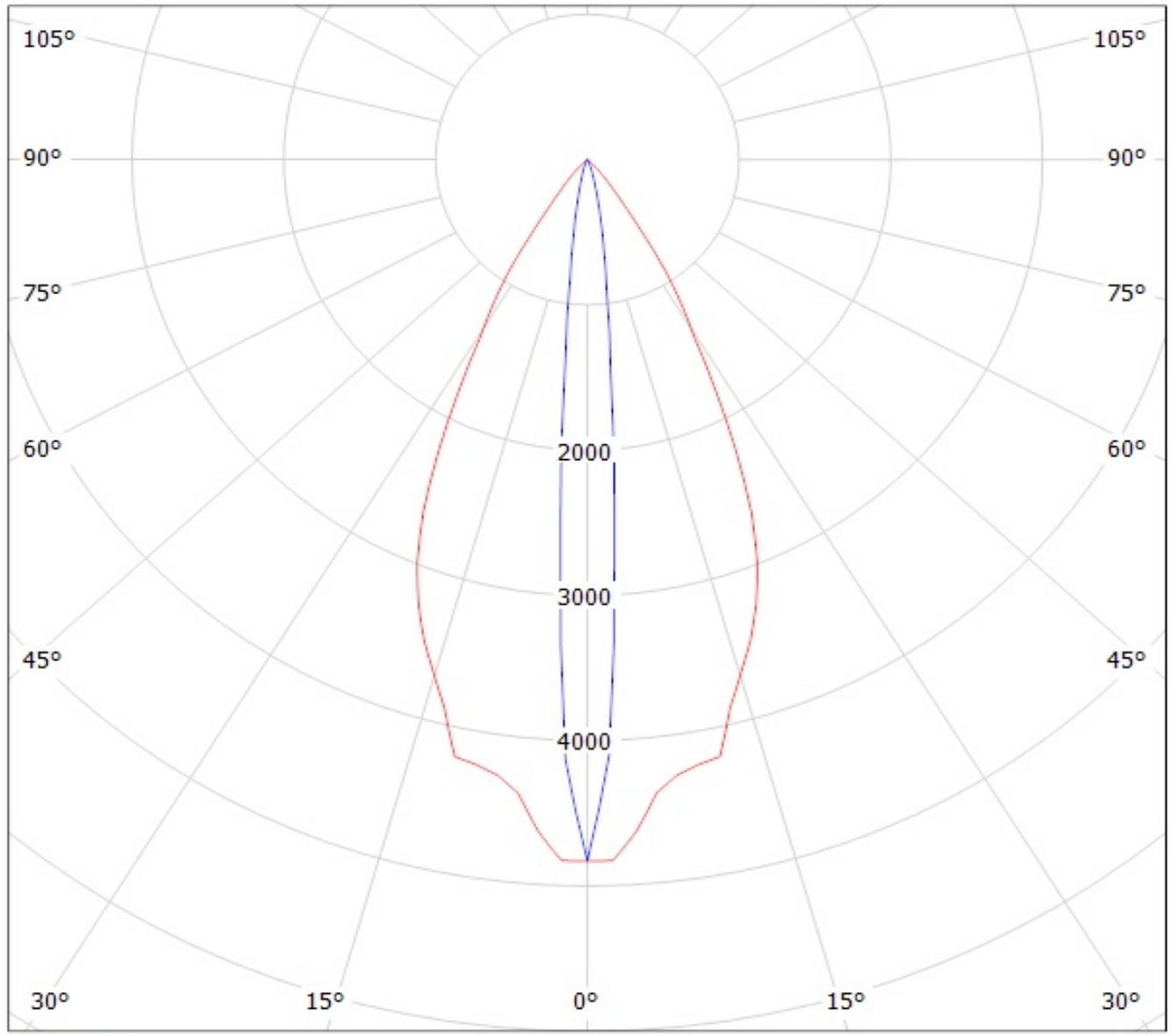
— C90 - C270

Luminaire: Ledil Oy CA12434_Heidi-ON (Seoul Z5 68lm @ 250mA) Efficiency=90%
Lamps: 1 x Seoul Z5 68lm @ 250mA



cd/klm
— C0 - C180 — C90 - C270

Luminaire: Ledil Oy CA11266_HEIDI-O (Seoul Z5 68lm @ 250mA) Efficiency=86%
Lamps: 1 x Seoul Z5 68lm @ 250mA



cd/klm
— C0 - C180 — C90 - C270