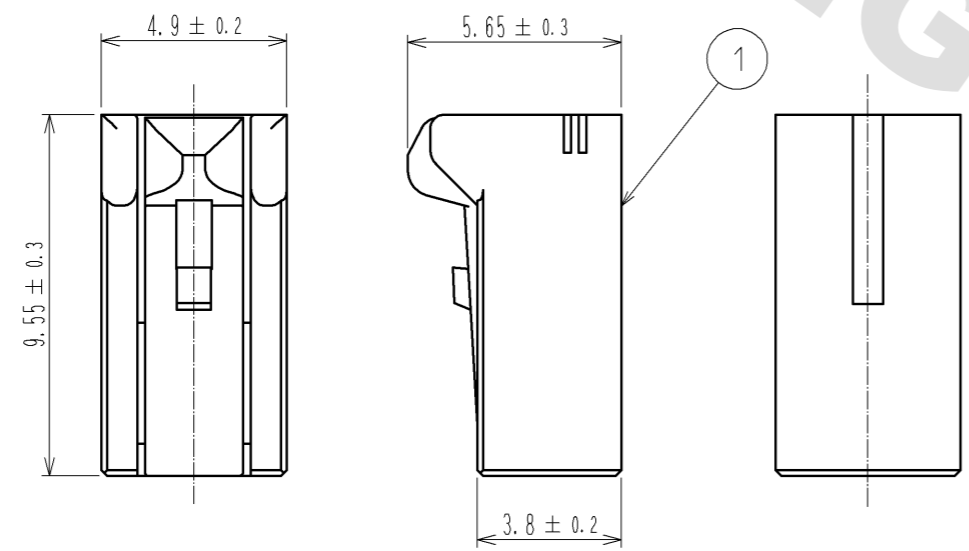
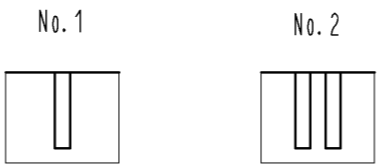
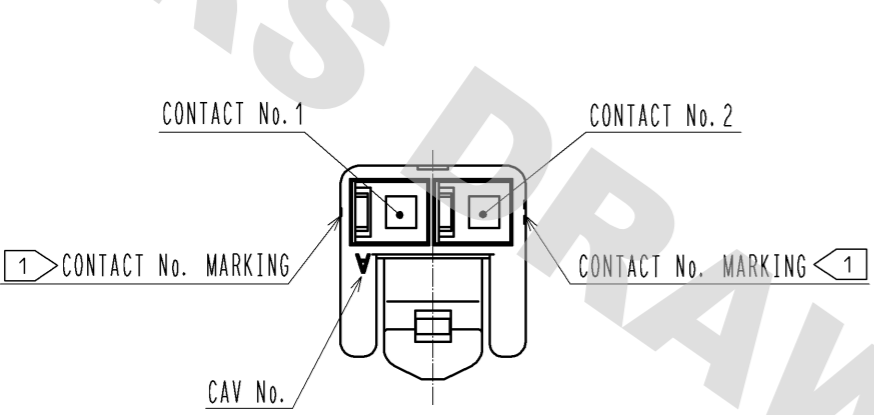
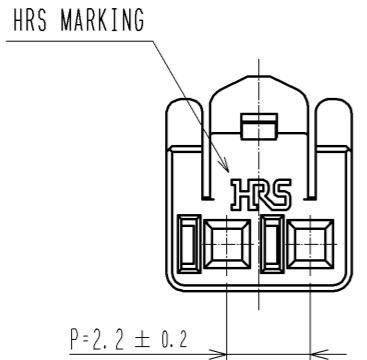
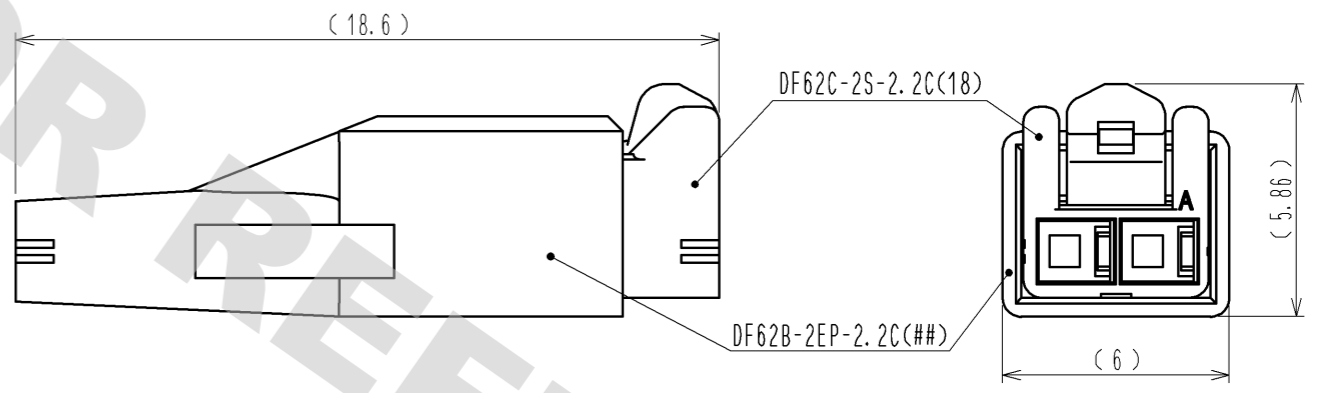


DRAWING FOR REFERENCE: This is subject to change without notice
12/05/2013

1 > FIGURE-1 CONTACT No. MARKING (10:1)



MATING FIGURE



NOTE. 1 > MARKINGS AT THE INDICATED POSITIONS ARE CONTACT NO. MARKING. AND SHAPES ARE SHOWN IN FIGURE-1.
2. PER PACK : 100 PIECES.
3. THE DIMENSIONS IN PARENTHESIS ARE FOR REFERENCE.

NO.		MATERIAL		FINISH . REMARKS		1		PBT		UL94V-0 (RED)			
UNITS		SCALE		COUNT		DESCRIPTION OF REVISIONS		DESIGNED		CHECKED		DATE	
mm		5 : 1		△									
 HIROSE ELECTRIC CO., LTD.		APPROVED : KI. AKIYAMA		13. 09. 17		DRAWING NO.		EDC3-351970-02					
		CHECKED : OM. MIYAMOTO		13. 09. 13		PART NO.		DF62C-2S-2. 2C(18)					
		DESIGNED : TH. YOSHIKAWA		13. 09. 13		CODE NO.		CL544-0565-4-18					
		DRAWN : MI. SAKIMURA		13. 09. 10		NO.		1/1					