

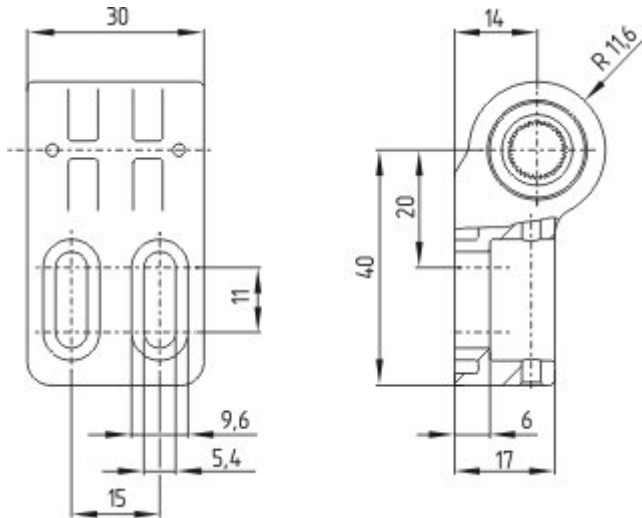
Datasheet - Fixed hinge F

Safety switch for hinged guards / Hinge safety switch / TV8S
521 / Accessories



SCHMERSAL

Preferred typ



(Minor differences between the printed image and the original product may exist!)

Ordering details

Product type description	Festes Scharnier F
Article number	1138414
EAN code	4030661104522

Global Properties

Product name	Festes Scharnier
Weight	115 g

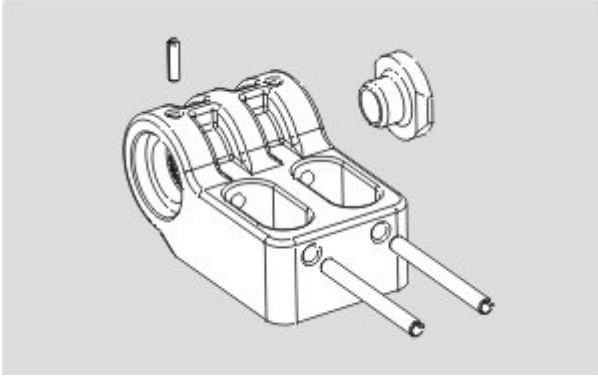
Dimensions

Dimensions	
- Width	30 mm
- Height	40 mm

Included in delivery

blanking plug	
Locating pins	
Screws M 5 x 20 to ISO 7380	2 piece

Images



Operating principle

K.A. Schmersal GmbH, Möddinghofe 30, D-42279 Wuppertal

The data and values have been checked thoroughly. Technical modifications and errors excepted.

Generiert am 10.10.2011 - 10:53:51h Kasbase 1.5.5 DBI