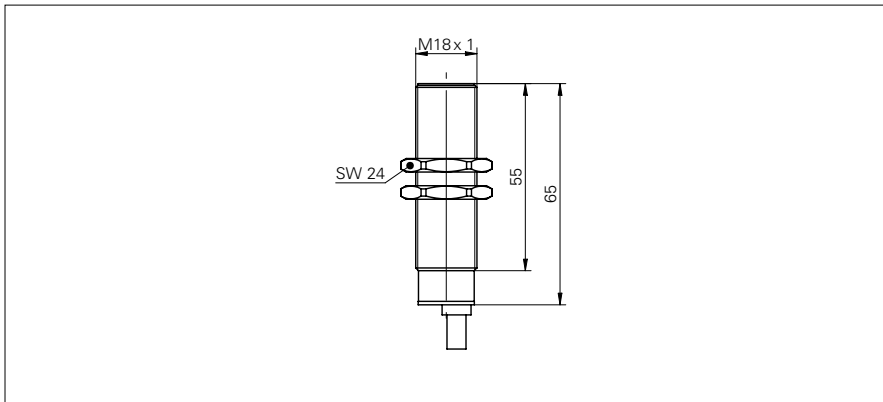


## Inductive linear sensors

## IWRM 18 (Dist. 2...4 mm / 2...5 mm)

## sample drawing



## general data

mounting type	shielded
measuring speed	< 1 mm / ms
repeat accuracy	< 0,02 mm
temperature coefficient	1 µm / (K mm)

## electrical data

voltage supply range +Vs	15 ... 30 VDC
residual output ripple	< 0,5 % Vs
short circuit protection	yes
reverse polarity protection	yes

## voltage output

current consumption max.	20 mA
output signal	1 ... 9 VDC
load resistance	> 1000 Ohm

## current output

current consumption max.	35 mA
output signal	4 ... 20 mA
load resistance +Vs min.	< 500 Ohm
load resistance +Vs max.	< 1000 Ohm

## mechanical data

type	cylindrical threaded
housing material	brass nickel plated
dimension	18 mm
connection types	cable, 2 m

## ambient conditions

operating temperature	0 ... +60 °C
protection class	IP 67

## sample picture



## Inductive linear sensors

## IWRM 18 (Dist. 2...4 mm / 2...5 mm)

order reference	measuring distance Sd	reference distance	output circuit	housing length	linearity error
IWRM 18I9501	2 ... 5 mm	3,25 ... 3,75 mm	current output	65 mm	± 100 µm
IWRM 18I9502	2 ... 4 mm	2,8 ... 3,2 mm	current output	65 mm	± 80 µm
IWRM 18I9511	2 ... 5 mm	3,25 ... 3,75 mm	current output	31,5 mm	± 100 µm
IWRM 18U9501	2 ... 5 mm	3,25 ... 3,75 mm	voltage output	65 mm	± 100 µm
IWRM 18U9502	2 ... 4 mm	2,8 ... 3,2 mm	voltage output	65 mm	± 80 µm
IWRM 18U9511	2 ... 5 mm	3,25 ... 3,75 mm	voltage output	31,5 mm	± 100 µm
IWRM 18U9512	2 ... 4 mm	2,8 ... 3,2 mm	voltage output	31,5 mm	± 80 µm