

FTP125x50-Ø20 HL60

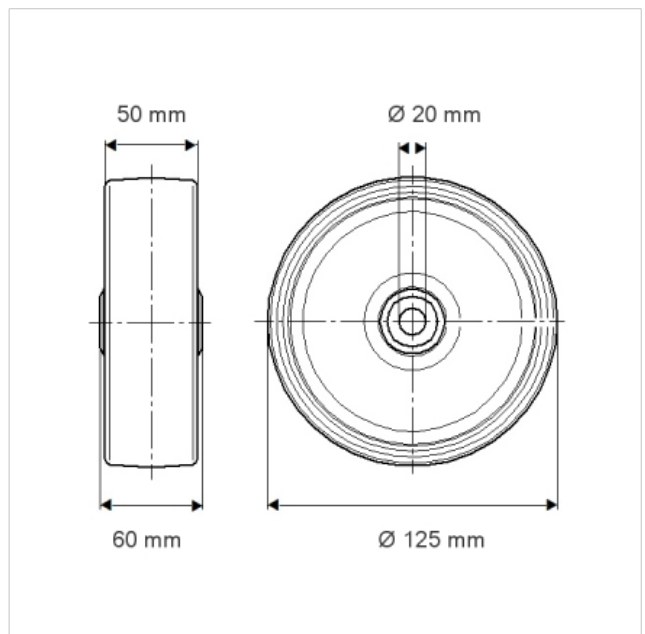
EAN 4031582329407

Wheel centre made of cast iron, Tread: Polyurethane, casted, precision ball bearing

Technical Data	
Wheel diameter	125 mm
Width of Tread	50 mm
Axle Hole Ø	20 mm
Hub length	60 mm
Temperature	- 20 / + 60 °C
Weight	2.428 kg
Load capacity	550 kg
Load capacity (static)	1100 kg
Hardness of tread	A 92 Shore
Bearing type	6204 No.



Roll performance	+	+	+	+	+
Movement noise	+	+	+	+	+
Attrition	+	+	+	+	+
Corrosion resistance	+	+	+	+	+





FTP125x50-Ø20 HL60

EAN 4031582329407

