

# FLOJET®

**R3711132A 12v dc**  
**R3711332A 24v dc**  
**R3711232A 230v ac**  
**TRIPLEX SERIES**  
**HI-PRESSURE PUMPS**  
*with BYPASS*

- ◆ 3 chamber diaphragm pump
- ◆ Corrosion resistant liquid contact parts
- ◆ By pass system reduces pulsation and cycling
- ◆ Intermittent duty
- ◆ Self-priming capability up to 2m; pump can be located above supply tank
- ◆ Can run dry for extended periods of time without damage
- ◆ Can handle liquid temperatures from 4°C to 60°C
- ◆ Ideal for applications such as spraying, misting, transfer of liquids, cooling, dispensing and pressure boosting



**CONNECTIONS:** 3/8" BSP.

**MAXIMUM PRESSURE:**

100 psi (6.9 bar)

**MATERIALS OF CONSTRUCTION:**

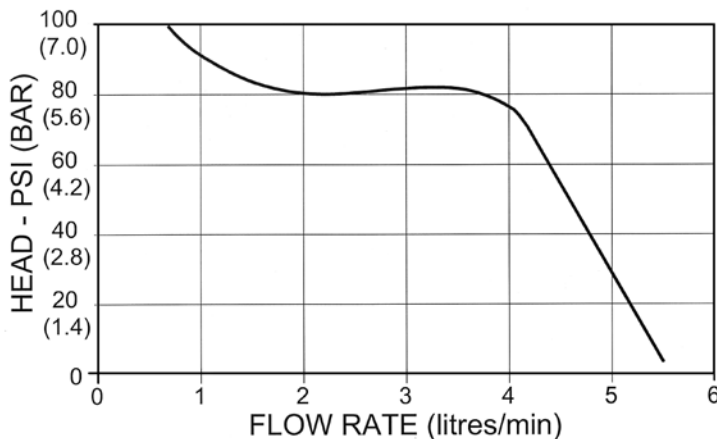
Pump head: Glass-filled Nylon

Diaphragm: Santoprene®

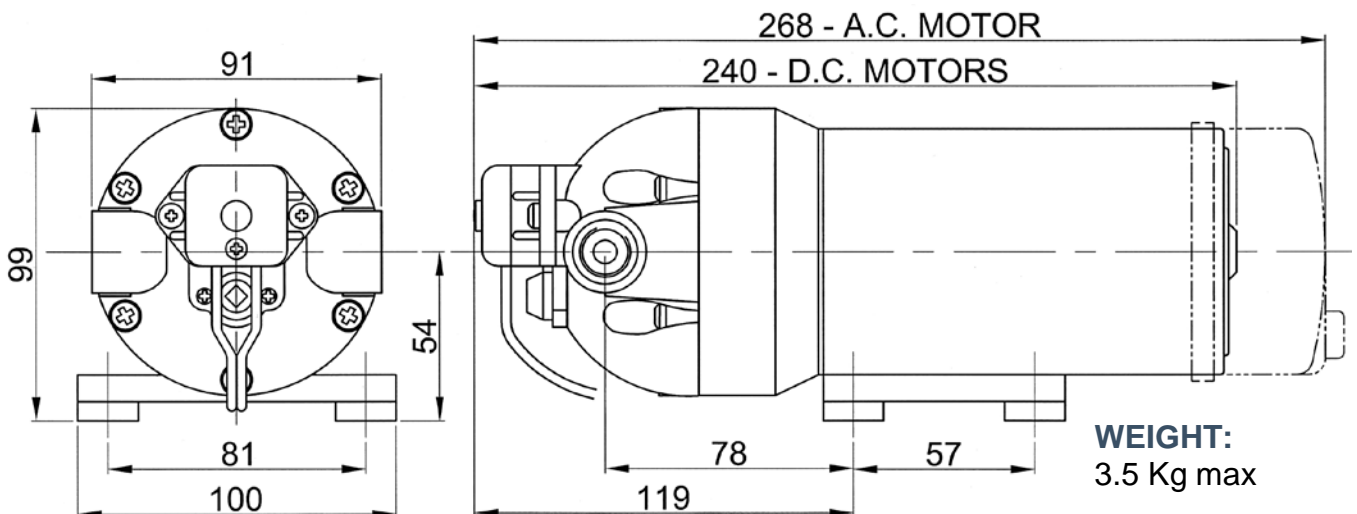
Valves: Viton

**OUTPUT:**

Up to 5.5 litres/minute (1.2 gallons/minute)



**AMP DRAW:** 12v dc - 9 amps, 24v dc - 4 amps, 230v ac - 0.55 amps max



Doc673/13

**xylem**  
Let's Solve Water

Cleghorn Waring  
Icknield Way • Letchworth Garden City • Herts • SG6 1EZ

Telephone: 01462 480380 Fax: 01462 482422  
mail@cleghorn.co.uk www.cleghorn.co.uk