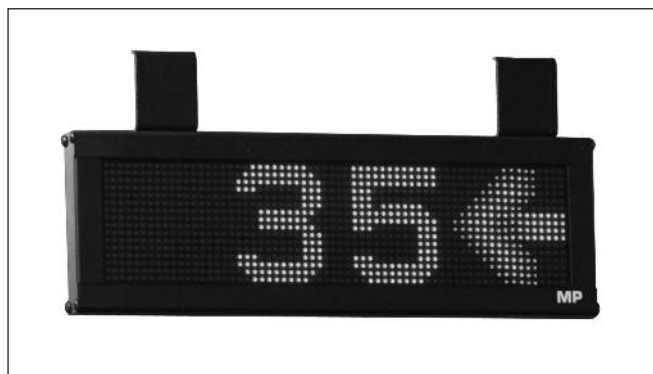


Display for Carpark

Type GP 6763 0109 / 110 / 111 / 116



- Brightly lit green and red LEDs
- Display built into robust aluminium box
- RS485 communication
- Internal dipswitch for selection of digit type
- cULus approved

Product Description

The GP6763 01xx display is part of a car park system which, among other things, contains a GP3482 9091 monitor and several sensor types with type numbers GP6220 220x and GP6240 2224.

By means of LEDs, the GP6763 01xx signals the

direction and/or number of free parking bays.

Because of the method of communication, it is possible to interconnect several displays on the same network. The display is available in indoor and outdoor versions.

Ordering key

GP 6763 01XXX

Type: Dupline[®] _____
 Carpark _____
 Display _____
 Type _____

General Specifications

Technology	LED SMD
Matrix resolution	
GP67630109	16 x 48 pixel
GP67630116	16 x 64 pixel
GP67630110 / 111	16 x 32 pixel
LED colour	Red and green (two colour combination: Amber)
Viewing distance	Up to 50 m.
Symbols configuration	
Digits / characters	Depends of the selected displays
Cross & Arrow symbols	Yes (configurable and animated)
Disabled symbol	No
GP6763 0109 / 116	No
GP6763 0110 / 111	Yes
Brightness control	Automatic (light sensor)
Interface	RS485
Protocol	Carpark
Casing	Aluminium
Environment	
Operating temperature	-15° to 50°C (indoor)
Degree of protection	IP30 (indoor) IP55 (outdoor)
Humidity (non condensing)	0 - 90% relative humidity
Power supply	18-24 VDC
Consumption (maximum/typical)	
GP6763 0109 / 110 / 111	60 W / 40W
GP6763 0116	100 W / 60W

General Specifications (cont.)

Dimensions (h x w x d)	
GP6763 0116(A)	
Indoor version	145 x 430 x 60 mm
Outdoor version (A)	185 x 490 x 92 mm
GP6763 0109 / 110 / 111(A)	
Indoor version	145 x 335 x 60 mm
Outdoor version (A)	185 x 395 x 92 mm
Weight	
GP6763 0109(A)	
Indoor version	1575 g
Outdoor version (A)	2000 g
GP6763 0110 / 111(A)	
Indoor version	1500 g
Outdoor version (A)	1800 g
GP6763 0116(A)	
Indoor version	2100 g
Outdoor version (A)	2400 g
Approval	cULus (UL60950)

Type Selection

- GP6763 0109 1 Arrow + 2 Digits
- GP6763 0109A 1 Arrow + 2 Digits outdoor
- GP6763 0110 1 Arrow + 1 Digit + HCP (Right)
- GP6763 0110A 1 Arrow + 1 Digit + HCP (Right) outdoor
- GP6763 0111 1 Arrow + 1 Digit + HCP (Left)
- GP6763 0111A 1 Arrow + 1 Digit + HCP (Left) outdoor
- GP6763 0116 1 Arrow + 3 Digits + Arrow
- GP6763 0116A 1 Arrow + 3 Digits + Arrow outdoor

Display types

GP6763 0109



GP6763 0110

GP6763 0111



GP6763 0116



Mode of Operation

The dip switch can be accessed by removing the cap placed on the back cover of the panel. This cover is attached by 2 screws. It is only necessary to remove the screw from the bottom to access the dip switch located on the main controller.

The dip switch configuration (DS2) has the following settings:

Bit 3	Bit 2	Bit 1	Vacant Mode
0	0	0	Totalize
0	0	1	Arrow rotating from bottom to top
0	1	0	Arrow rotating from left to right
0	1	1	Arrow rotating from right to left
1	0	0	Arrow rotating from top to bottom
1	0	1	Steady Cross
1	1	0	Reserved – Must be 0
1	1	1	Nothing displayed

Bit 6	Bit 5	Bit 4	Occupied Mode
0	0	0	Totalize
0	0	1	Arrow rotating from bottom to top
0	1	0	Arrow rotating from left to right
0	1	1	Arrow rotating from right to left
1	0	0	Arrow rotating from top to bottom
1	0	1	Steady Cross
1	1	0	Steady Cross and red arrow
1	1	1	Nothing displayed

The dip switch configuration (DS3) defines the internal panel sizing and has the following settings:

Bit 3	Bit 2	Bit 1	Panel Dimensions
0	0	0	16 x 16
0	0	1	16 x 32
0	1	0	16 x 48
0	1	1	16 x 64
1	0	0	16 x 80
1	0	1	Reserved - Must be 0
1	1	0	Reserved - Must be 0
1	1	1	Reserved - Must be 0

Bit 7	Number of symbols	Bit 8	Symbol Alignment
0	1 symbol	0	Symbol with right alignment
1	2 symbols	1	Symbol with left alignment

Bit 8	Bit 7	Bit 6	Bit 5	Bit 4	
0	0	0	0	0	Reserved – Must be 0

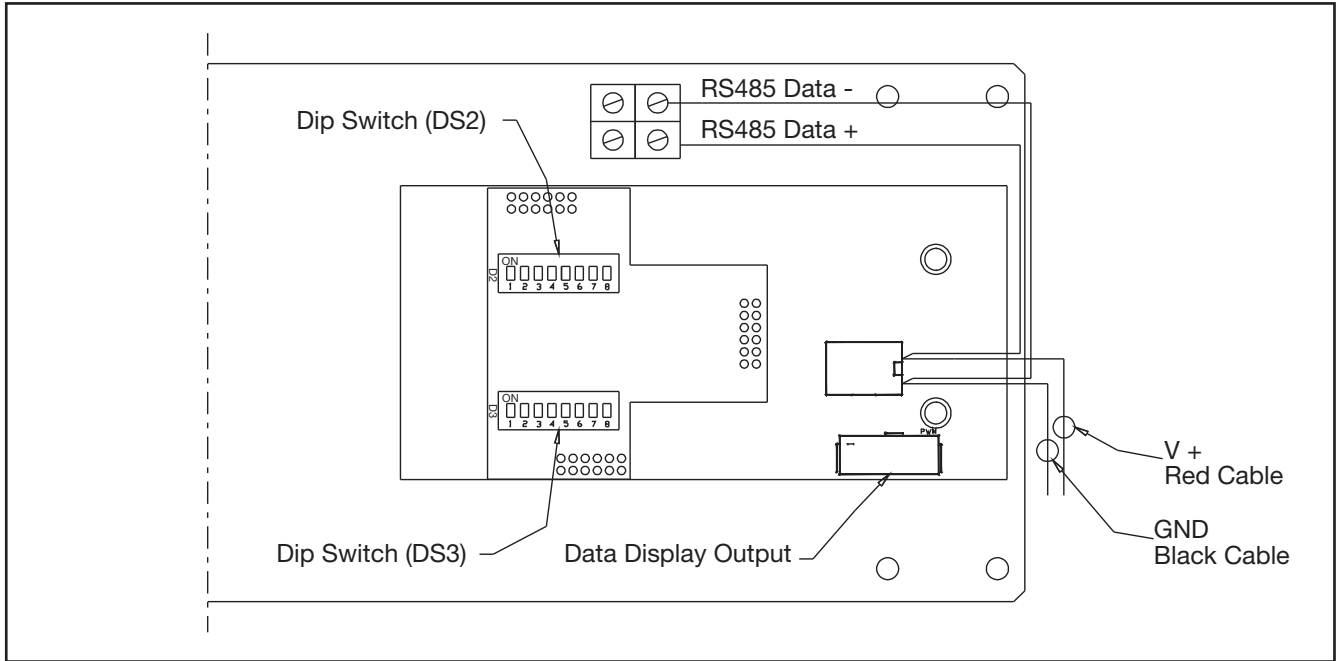
During the panel configuration, the following operation notes should be considered:

Configuration	Operation Mode
Totalize Mode	<ul style="list-style-type: none"> In totalize mode, only numbers are displayed. If the number of digits exceeds the number of panel boards, nothing is displayed. The numbers are always displayed with right alignment.
Symbol Modes	<ul style="list-style-type: none"> The symbols always takes priority over the numbers. If the number doesn't fit in the panel, only the symbol is displayed with the selected alignment. In the "occupied" mode operation, the red Arrow-Cross symbol is displayed instead of the number, so it can be combined with the other symbols. Only in the special case of the "Steady cross and red arrow" dip switch selection, the red Arrow-Cross symbol is displayed alone in the panel. In the "Steady cross and red arrow" dip switch selection, only the cross is displayed if the panel is in 16x16 resolution.

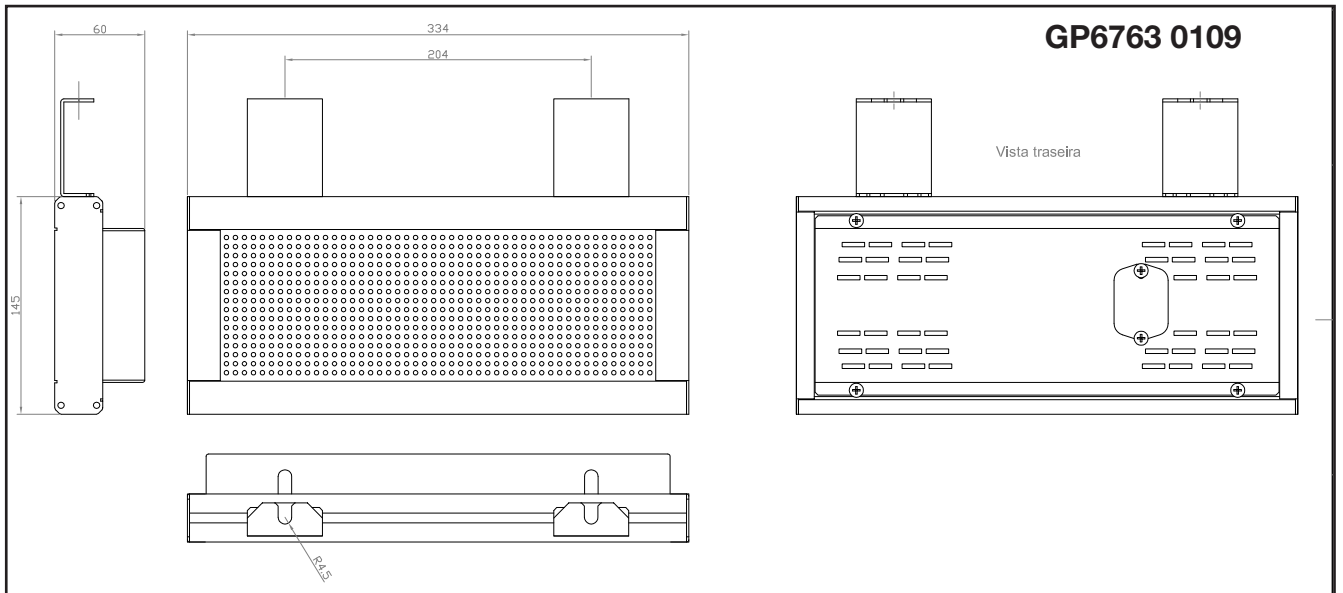
Wiring Diagram / DIP Switch Settings

Removing the back cover, it's possible to access the panel controller. Next to the controller is a free space that can be used by the customer for placement of specific equipment.

The power cable is accessible from outside the panel. The RS485 wiring communication is only accessible within the panel and can be extended to the outside.



Dimensions



Dimensions

