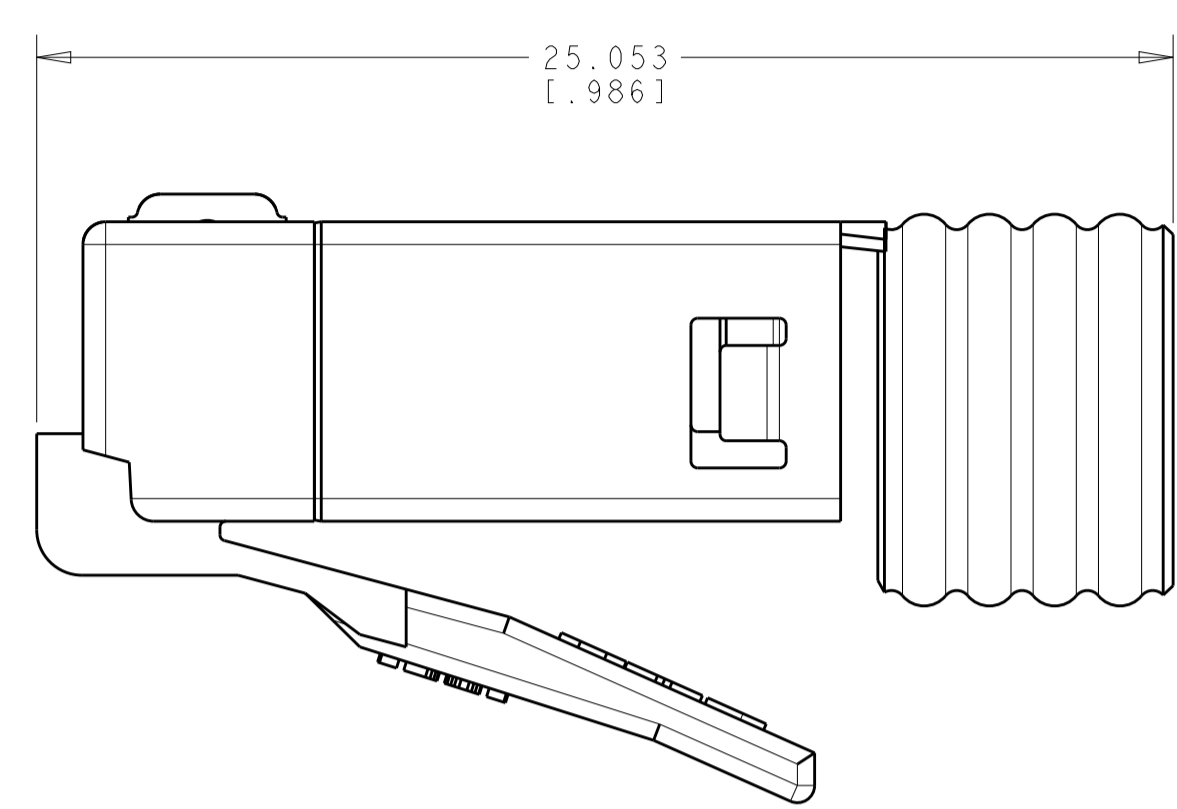
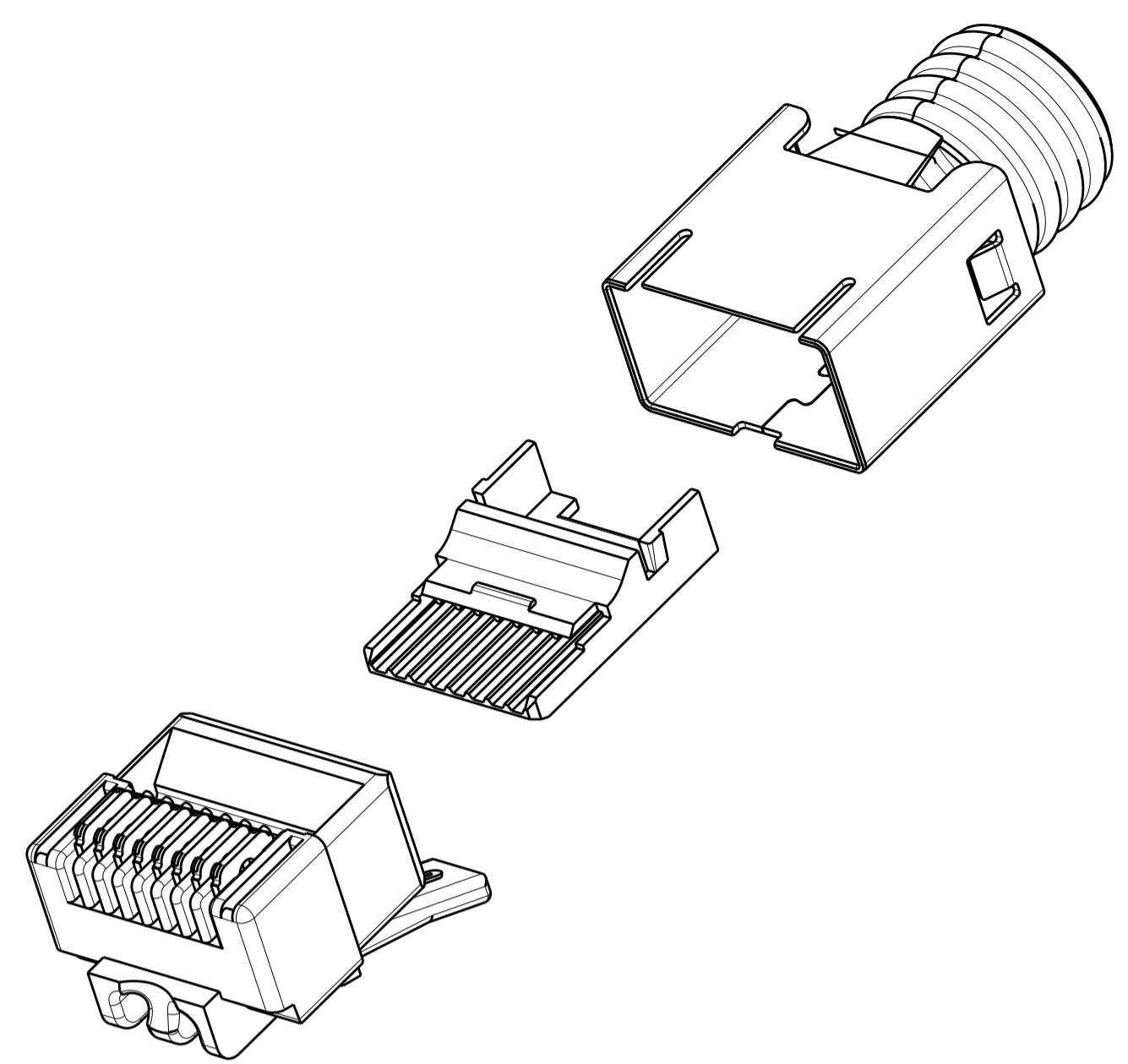


REVISIONS				
P.	LTN.	DESCRIPTION	DATE	APP'D.
A		RLSD; 40023251MCO	14JULY2015	GG DC

MP-5EMT-



DIAMETER TABLE

A: 4.7 - 5.5 MM [0.185 - 0.217] IN

B: 5.1 - 6.0 MM [0.201 - 0.236] IN

C: 5.7 - 7.0 MM [0.224 - 0.276] IN

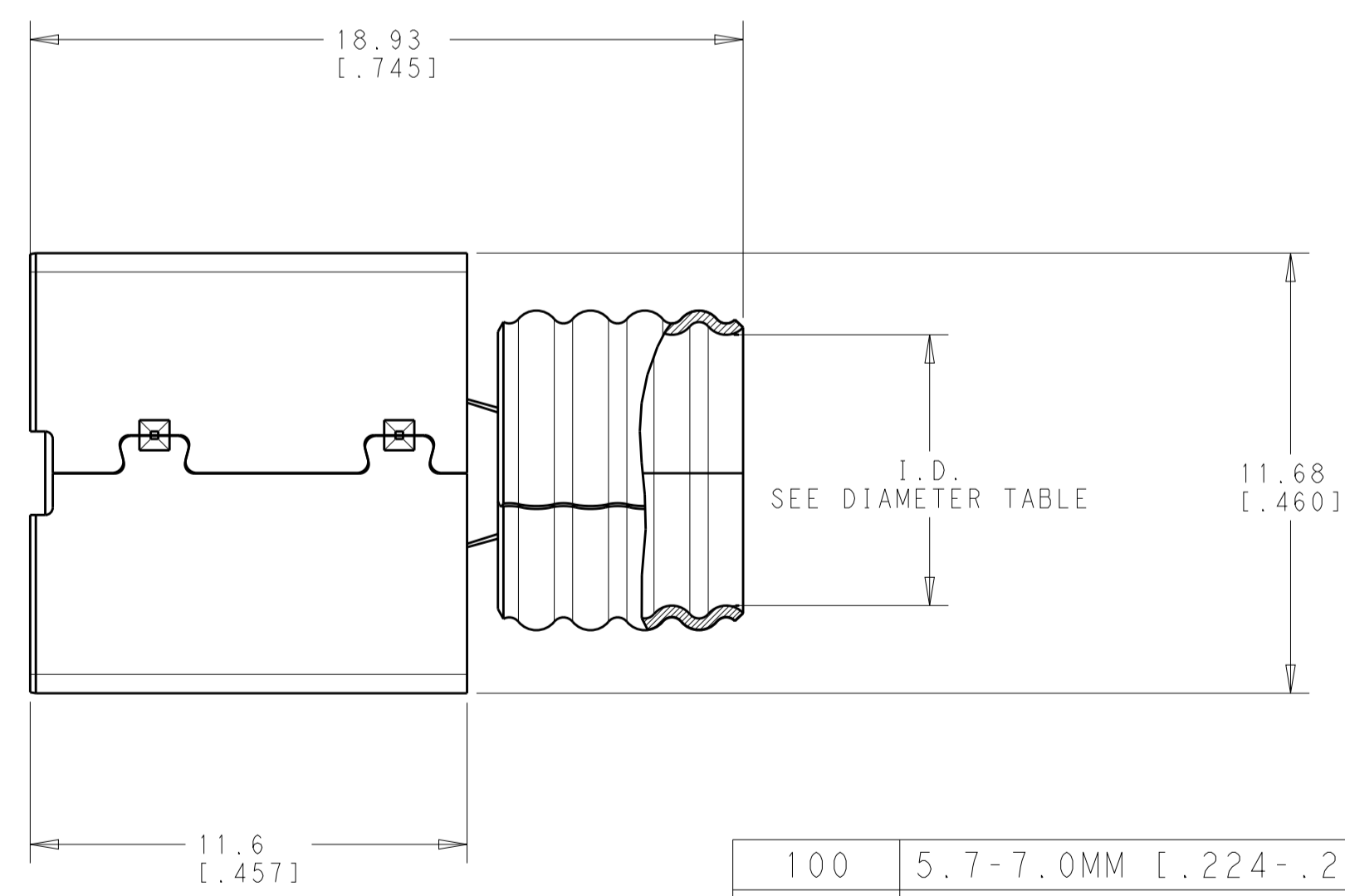
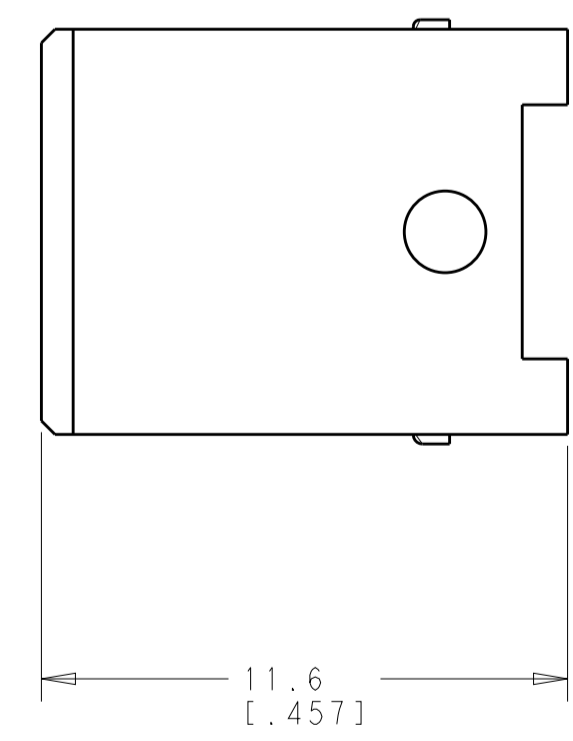
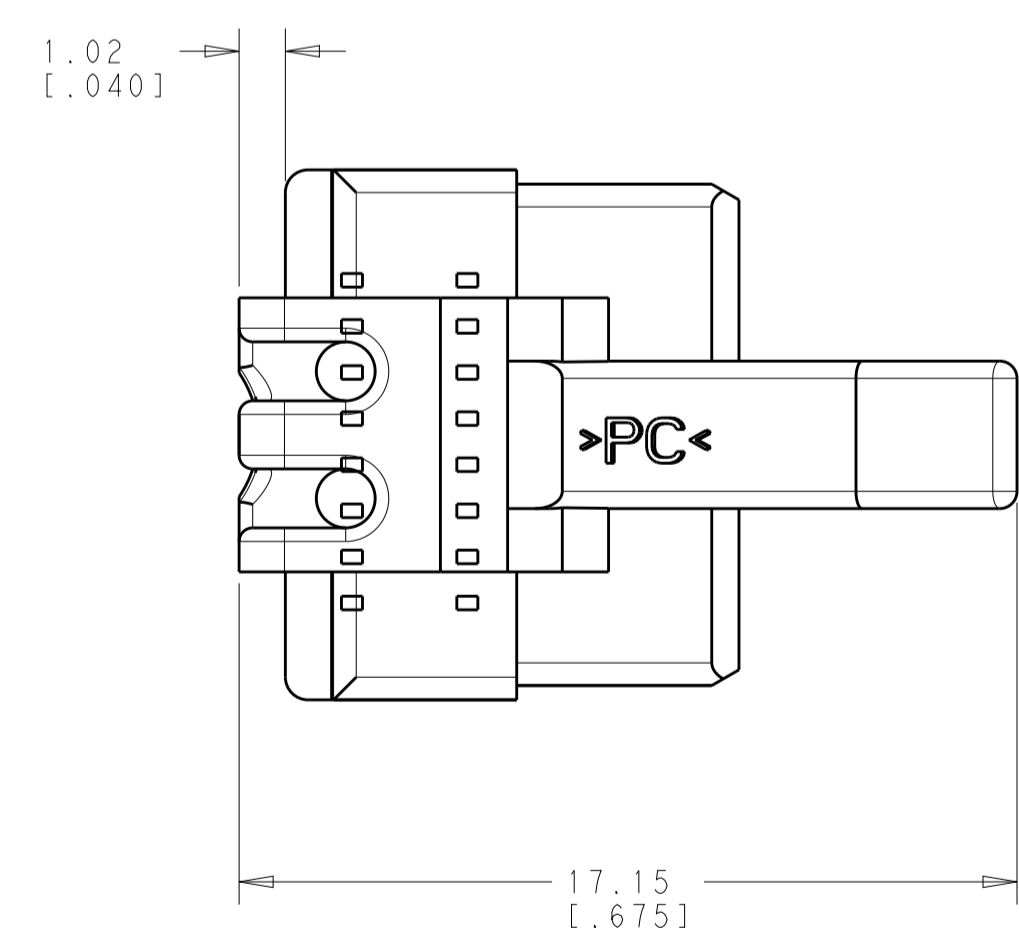
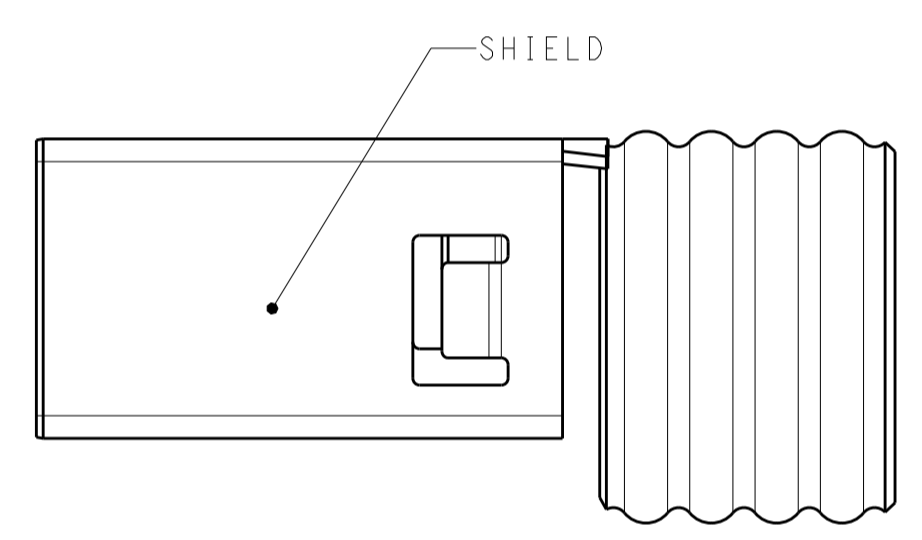
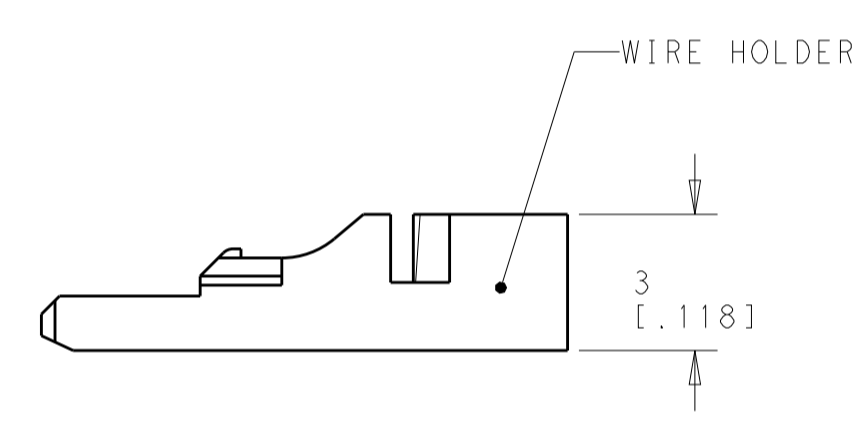
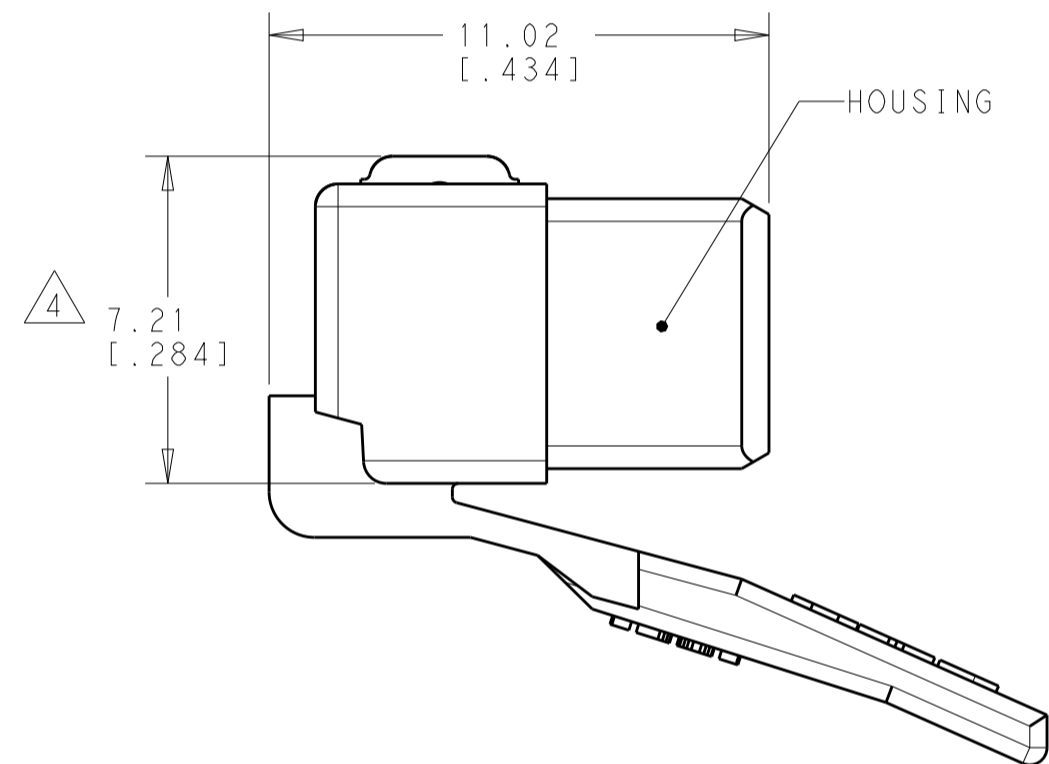
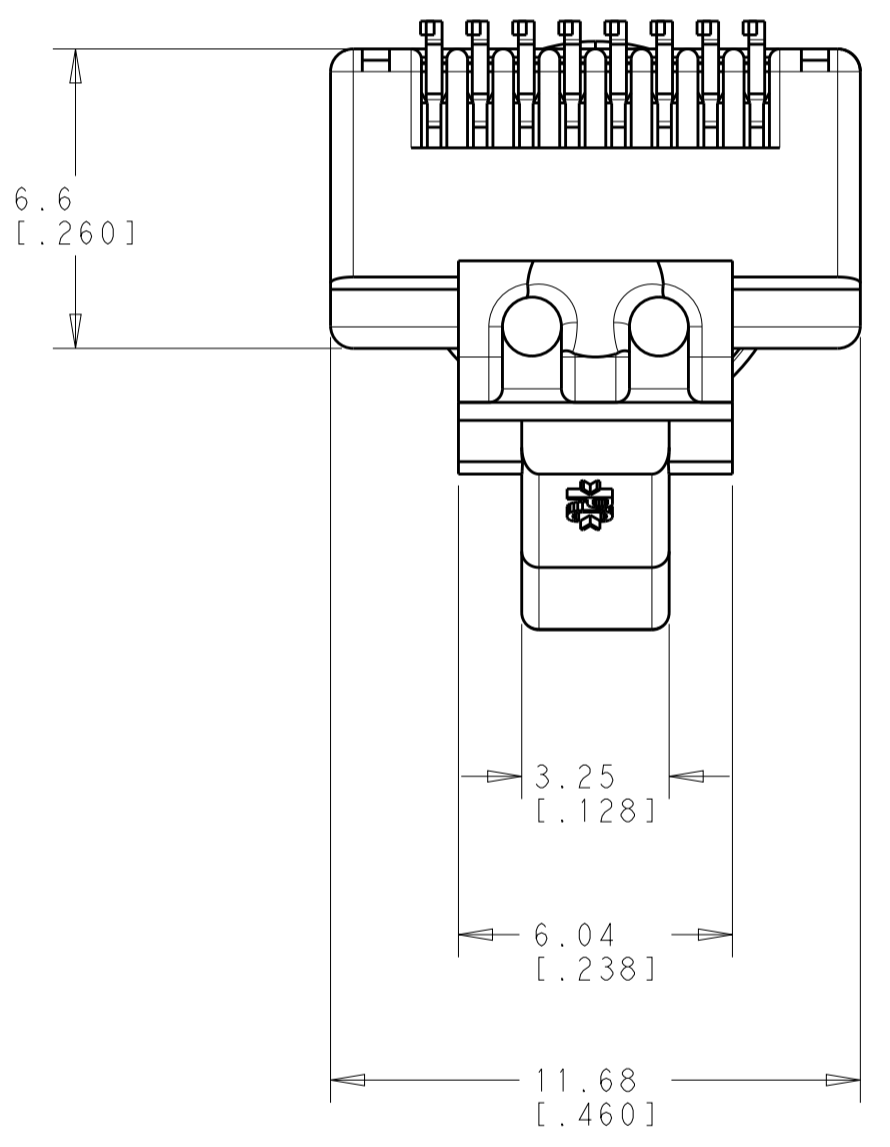
PACKAGE SIZE

5 = 500

1 = 100

- 1. MATERIAL: HOUSING - 94V-0 RATED POLYCARBONATE CLEAR
TERMINAL - 0.305 [0.012] THICK PHOSPHOR BRONZE PLATED WITH 1.27 μm [0.00005] MINIMUM THICK GOLD IN LOCALIZED AREA, OVER 2.54 μm [0.000100] MINIMUM THICK NICKEL UNDERPLATE.
- WIRE HOLDER - POLYCARBONATE CLEAR.
- SHIELD - STAINLESS STEEL WITH 0.8 μm [0.000031] MINIMUM NICKEL PLATED.
- 2. DIMENSIONS ARE NOMINAL UNLESS OTHERWISE SPECIFIED.
- 3. PLUG WILL ACCEPT A 24-26 AWG STRANDED CONDUCTOR WITH SINGLE A INSULATION OF 0.89 - 1.09 [0.035 - 0.043] OR 23-24 AWG SOLID CONDUCTOR WITH A SINGLE INSULATION OF 0.89 - 1.09 [0.035 - 0.043].
- 4. TERMINATED DIMENSION 5.89 [0.232] - 6.15 [0.242].
- 5. SLIM-LINE MODULAR PLUG BOOT, PN 2153257-1 FOR "C" VERSION AND PN 2153256-1 FOR "A" OR "B" VERSION.
- 6. UL RECOGNIZED: FILE NUMBER E81956.

FULLY ASSEMBLED



PACKAGE	CABLE DIAMETER	MATERIAL	CATALOG NUMBER
100	5.7-7.0MM [0.224-.276IN]	6-2111988-3	MP-5EMT-C-1
500	5.7-7.0MM [0.224-.276IN]	6-2111988-2	MP-5EMT-C-5
100	5.1-6.0MM [0.201-.236IN]	6-2111986-3	MP-5EMT-B-1
500	5.1-6.0MM [0.201-.236IN]	6-2111986-2	MP-5EMT-B-5
100	4.7-5.5MM [0.185-.217IN]	6-2111976-3	MP-5EMT-A-1
500	4.7-5.5MM [0.185-.217IN]	6-2111976-2	MP-5EMT-A-5

THIS DRAWING IS A CONTROLLED DOCUMENT. DIMENSIONS: mm [inches]. TOLERANCES UNLESS OTHERWISE SPECIFIED: 0 PLC ±, 1 PLC ±, 2 PLC ±, 3 PLC ±, 4 PLC ±, ANGLES ±, FINISH ±.

OWN: G. GARRETT 17APR2015, CHK: J. GENIAC 17APR2015, APVD: J. GENIAC 17APR2015.

STE TE Connectivity

NAME: KIT, MOD PLUG, CATEGORY 5E, SHIELDED, CABLE RANGE 4.7 TO 7.0

SIZE: A1, CAGE CODE: - , DRAWING NO: C=2843003, RESTRICTED TO: -

Customer Drawing, SCALE: 6:1, SHEET: 1 OF 1, REV: A