

Product Area Female socket, dip solder, front fastened
M9 connectors IP 67

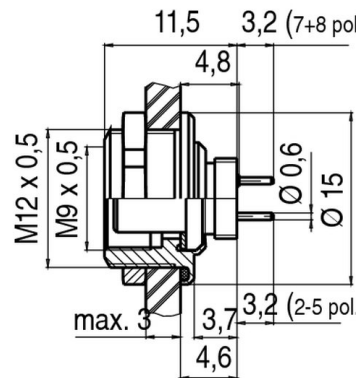
serie 712/702

Pole 4
Article number 09 0412 90 04

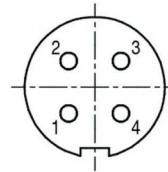
illustration



scale drawing



Contact Arrangement



| | X | Y |
|---|-------|-------|
| 1 | -1,10 | -1,10 |
| 2 | -1,10 | 1,10 |
| 3 | 1,10 | 1,10 |
| 4 | 1,10 | -1,10 |

Installation instructions / Mounting cutout



Technical data

Common values

| | |
|--------------------------|---------------|
| Connector Design | Female socket |
| Connector locking system | Screw-locking |
| Termination | dip solder |
| Wire gauge (mm) | - |
| Wire gauge (AWG) | - |
| Max. Cable outlet | - |
| Upper temperature | +85 °C |
| Lower temperature | -40 °C |

Electrical values

| | |
|-----------------------|--------------------|
| Rated voltage | 125 V |
| Rated impulse voltage | 1500 V |
| Pollution degree | I |
| Overvoltage category | II |
| Material group | III |
| Rated current (40°C) | 3 A |
| Volume resistivity | ≤ 3 mΩ |
| EMV compliance | shieldable |
| Degree of protection | IP 67 |
| Mechanical operation | >500 mating cycles |

Material

| | |
|--------------------------|----------------------------|
| Material of contact | CuSn (bronze) |
| Contact plating | Au (gold) |
| Material of contact body | PA (UL 94 V-0) |
| Material of housing | CUZn (brass nickel plated) |

Cable data

| | |
|------------------------|---|
| material housing | - |
| insulation single lead | - |
| single lead structure | - |
| conductor resistance | - |

Contacts 4, Female socket, dip solder, front fastened

