

2-stage filter for 3-phase systems

**Description**

- Terminals for three phases and ground
- High symmetrical and asymmetrical attenuation
- In the frequency range from 10kHz up to 300MHz

Standards

- IEC 60939
- UL 1283, Edition 5, CSA 22.2 No. 8-M1986, @ Ta 75 °C

Approvals

- VDE Certificate Number: 40029853
- UL File Number: E72928

Applications

- Voltage rating 480 and 520 VAC for world wide acceptance
- Protection against interference voltage from the mains
- Especially designed for industrial applications such as: Frequency Converters, Stepper Motor Drives, UPS-Systems, Inverters
- Qualified for use in equipment according IEC/EN 60950

References**Weblinks**

[pdf](#), [html](#), [General Product Information](#), [Approvals](#), [RoHS](#), [CHINA-RoHS](#), [e-Store](#), [SCHURTER-Stock-Check](#), [Distributor-Stock-Check](#)

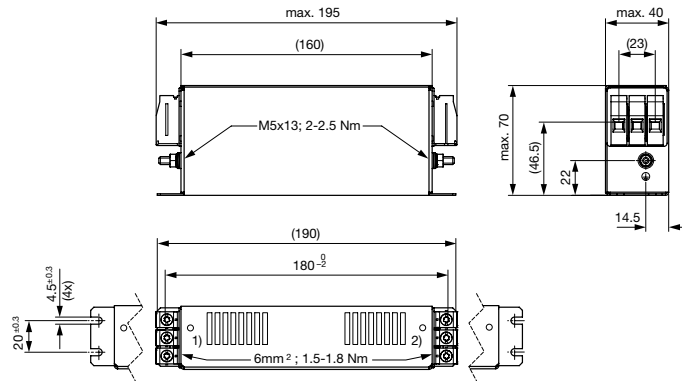
Technical Data

Rated Current	7 - 180A
Rated voltage	480 - 520VAC, 50/60 Hz
Approval for	7 - 180A @ 50 (75) °C / 480/520VAC; 50/60Hz
Overload Current	1.5 x Ir
Dielectric Strength for 480 VAC	> 2.25kVDC between L-L > 2.75kVDC between L-PE
Dielectric Strength for 520 VAC	> 2.25kVDC between L-L > 2.75kVDC between L-PE Test voltage 2 sec
Number of Filter Stages	2
Weight	0.8 - 8kg
Material: Housing	Metal
Sealing Compound	UL 94V-0

Mounting	Screw-on mounting on chassis
Terminal	Screw clamps
Operating Temperature [°C]	-25 °C to 100 °C
Climatic Category	25/100/21 acc. to IEC 60068-1
Degree of Protection	IP 20 acc. to IEC 60529
Protection Class	Suitable for appliances with protection class 1 acc. to IEC 61140
MTBF	> 200'000h acc. to MIL-HB-217 F

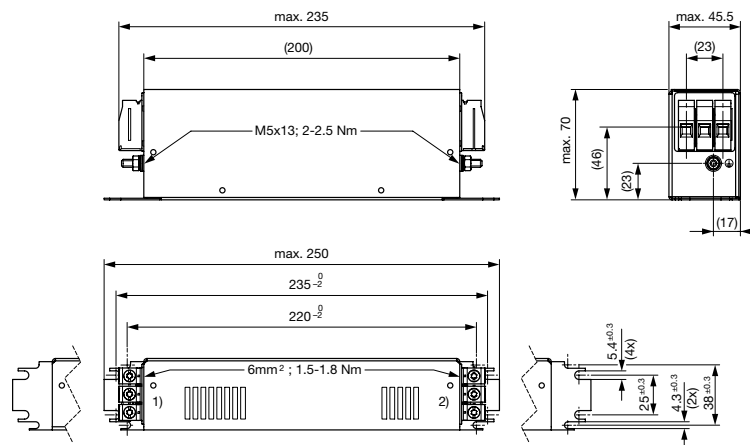
Dimensions

Case 1U



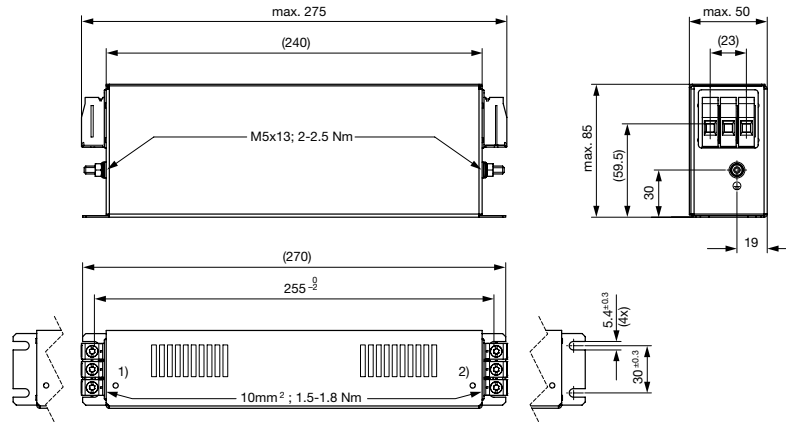
1) Line
2) Load

Case 1C



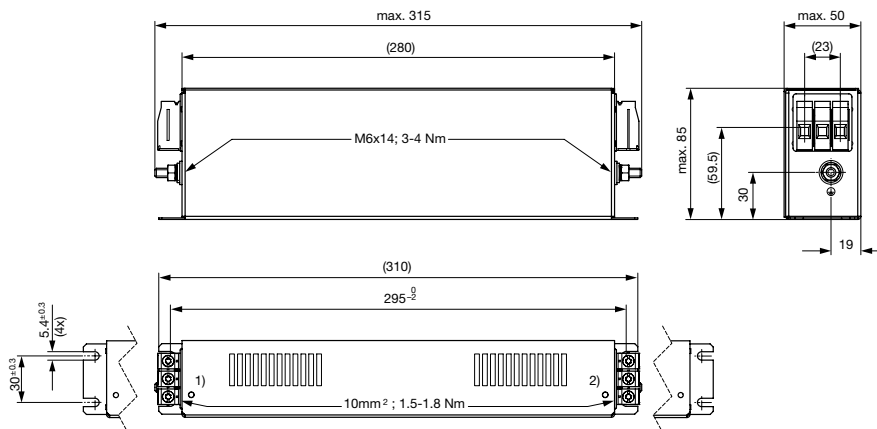
1) Line
2) Load

Case 1Q



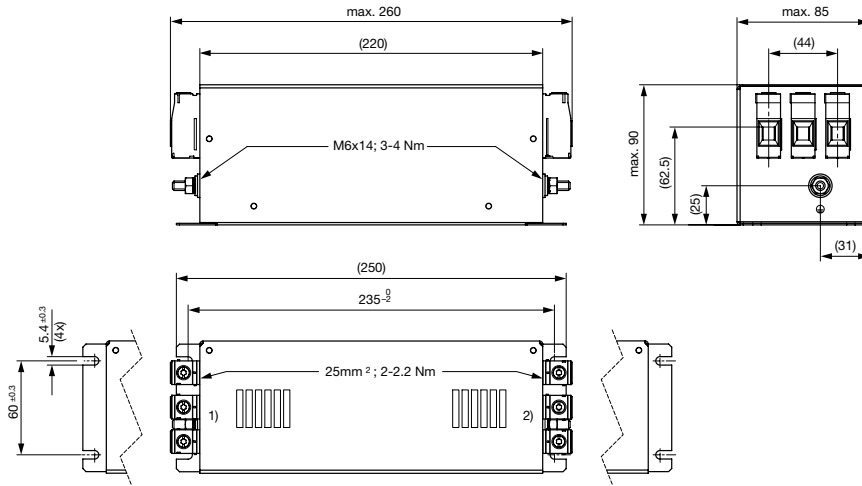
- 1) Line
- 2) Load

Case 1R

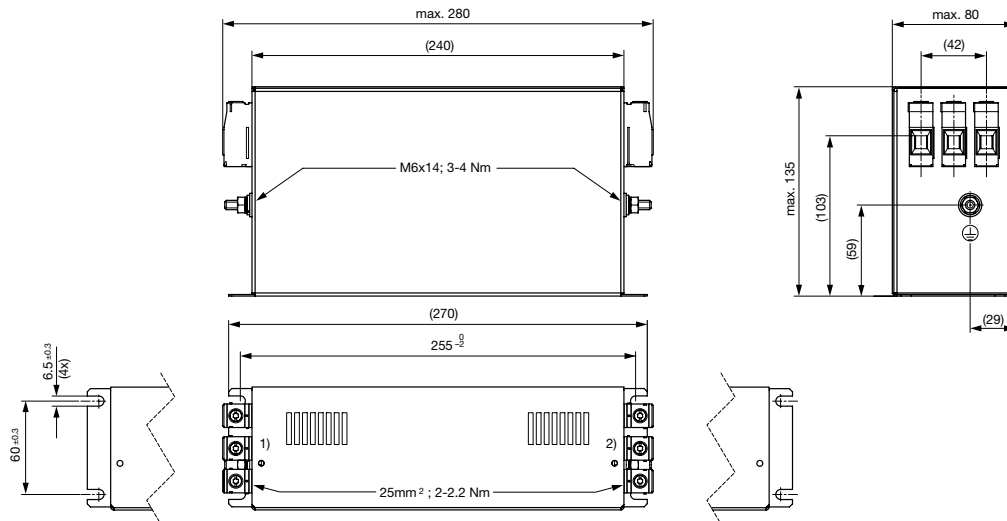


- 1) Line
- 2) Load

Case 1S

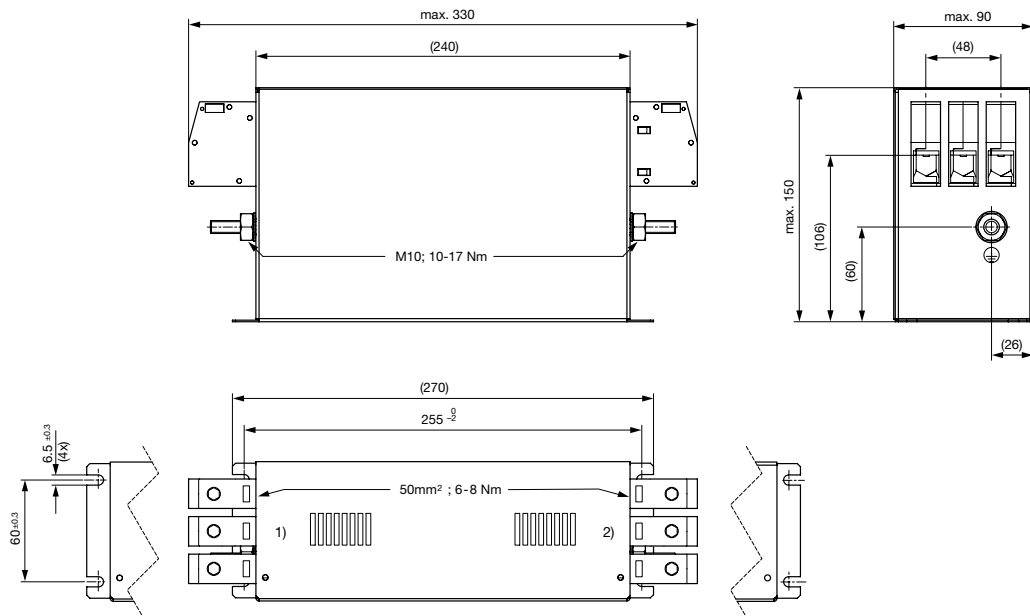


1) Line
2) Load
Case 1F



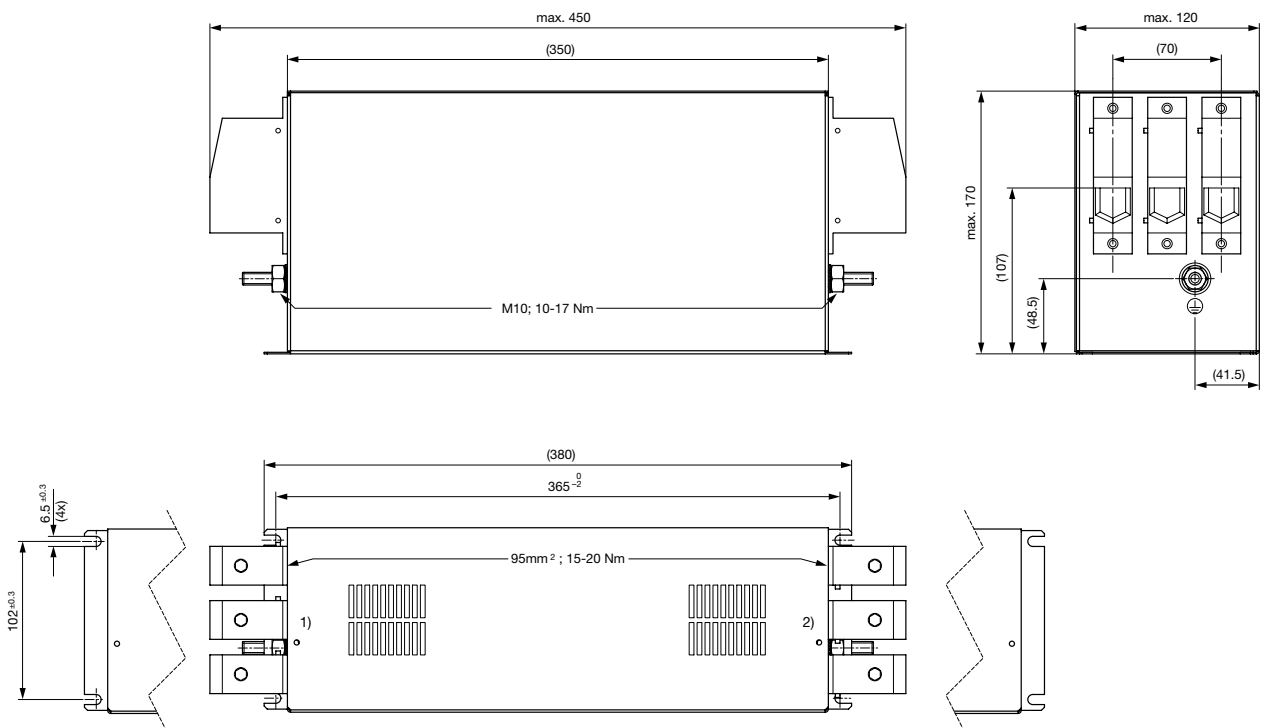
1) Line
2) Load

Case 1G



- 1) Line
- 2) Load

Case 1V

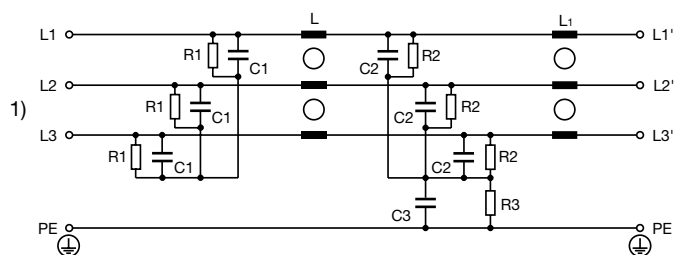


- 1) Line
- 2) Load

Technical data to the filter components

Rated Current @ Ta 50°C (75°C) [A]	L [mH]	L2 [μH]	C1 [μF]	C2 [μF]	C3 [μF]	R1 [MΩ]	R2 [MΩ]	R3 [MΩ]
7 (4.7)	2.7	5	3.3	3.3	3.3	-	1	1
16 (12)	1.9	10	6.6	3.3	3.3	1	1	1
30 (21)	1.9	10	6.8	3.3	3.3	1	1	1
42 (31)	1.3	10	9.9	3.3	3.3	1	1	1
55 (49)	1.8	13	10	3.3	3.3	1	1	1
75 (52)	1.2	13	9.9	3.3	3.3	1	1	1
100 (70)	1.2	13	9.9	3.3	3.3	1	1	1
130 (92)	0.7	26	9.9	3.3	3.3	1	1	1
180 (135)	0.4	31	10	3.3	3.3	1	1	1
7 (4.7)	2.7	5	3.3	3.3	3.3	-	1	1
16 (12)	1.9	10	6.6	3.3	3.3	1	1	1
30 (21)	1.9	10	6.8	3.3	3.3	1	1	1
42 (31)	1.3	10	9.9	3.3	3.3	1	1	1
55 (49)	1.8	13	10	3.3	3.3	1	1	1
75 (52)	1.2	13	9.9	3.3	3.3	1	1	1
100 (70)	1.2	13	9.9	3.3	3.3	1	1	1
130 (92)	0.7	26	9.9	3.3	3.3	1	1	1
180 (135)	0.4	31	10	3.3	3.3	1	1	1

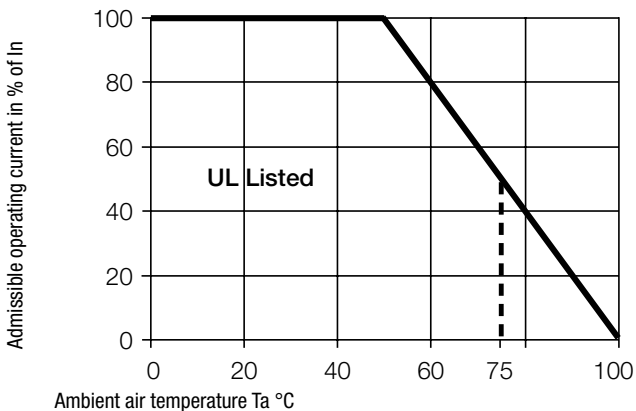
Diagrams



1) Line

Derating Curves

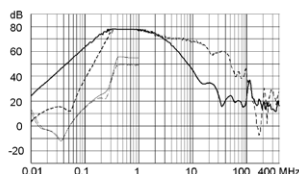
Permissible Working Current as a Function of Ambient Temperature



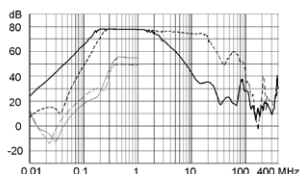
Attenuation Loss 0.1/100Ω differential mode 100/0.1Ω differential mode - - - - differential mode ____ common mode

Industrial Version

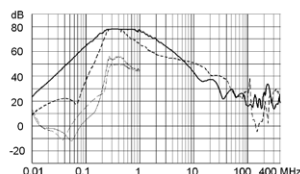
7A



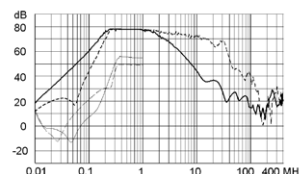
16A



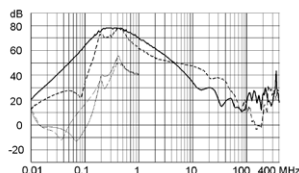
30A



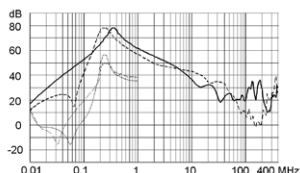
42A



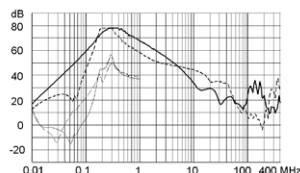
55A



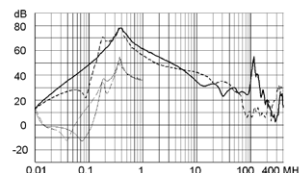
75 A



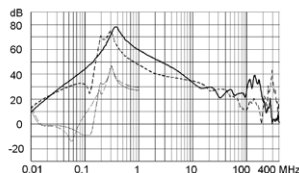
100A



130A



180A



Variants

Rated Current @ Ta 50°C (75°C) [A]	Rated Voltage [VAC]	Tripped Power Dissipation [W]	Leakage Current [mA] ¹⁾	Contact Resistance [mΩ]	Weight [kg]	Screw clamps [mm ²] ²⁾	Housing	Packaging unit	Order Number
7 (4.7)	480	1.4	< 33	9.2	0.8	6	1U	-	FMBC-A91U-0710
16 (12)	480	4.9	< 33	6.3	1.1	6	1C	-	FMBC-A91C-1610
30 (21)	480	6.8	< 33	2.5	1.5	10	1Q	-	FMBC-A91Q-3010
42 (31)	480	13.8	< 33	2.6	1.9	10	1R	-	FMBC-A91R-4210
55 (49)	480	12.7	< 33	1.4	2.5	25	1S	-	FMBC-A91S-5510
75 (52)	480	16.9	< 33	1	3.8	25	1F	-	FMBC-A91F-7510
100 (70)	480	24	< 33	0.8	5	50	1G	-	FMBC-A91G-J010
130 (92)	480	30.5	< 33	0.6	4.8	50	1G	-	FMBC-A91G-J310
180 (135)	480	19.5	< 33	0.2	8	95	1V	-	FMBC-A91V-J810
7 (4.7)	520	1.4	< 33	9.2	0.8	6	1U	-	FMBC-A91U-0712
16 (12)	520	4.9	< 33	6.3	1.1	6	1C	-	FMBC-A91C-1612
30 (21)	520	6.8	< 33	2.5	1.5	10	1Q	-	FMBC-A91Q-3012
42 (31)	520	13.8	< 33	2.6	1.9	10	1R	-	FMBC-A91R-4212
55 (49)	520	12.7	< 33	1.4	2.5	25	1S	-	FMBC-A91S-5512
75 (52)	520	16.9	< 33	1	3.8	25	1F	-	FMBC-A91F-7512
100 (70)	520	24	< 33	0.8	5	50	1G	-	FMBC-A91G-J012
130 (92)	520	30.5	< 33	0.6	4.8	50	1G	-	FMBC-A91G-J312
180 (135)	520	19.5	< 33	0.2	8	95	1V	-	FMBC-A91V-J812

1) Worst case leakage current acc. to IEC60950 - Annex G4 (situation with two interrupted lines). Nominal leakage current acc. to IEC60950 - 5.2.5. can be found in section technical data.

2) Maximum conductor cross section (wire gauge) to be used; a comparative table for AWG and mm² values can be found in the general product information www.schurter.com/emc_info