



22MM PLASTIC ROUND ACTUATOR:  
MUSHR.PUSHBUTTON 60MM MOMENTARY CONTACT  
TYPE WITH HOLDER RED

Actuator / signaling device:		
Design of the operating mechanism		mushromm pushbutton
Type of unlocking device		without
Material / of the activation element		plastic
Number of switching positions		2
Product component / front ring		Yes
Material / of the front ring		plastic
Color / of the front ring		black
Design of front ring		Standard
Product function / EMERGENCY STOP function		No

Holder:		
Material / of holder		Plastic

General technical details:		
Resistance against shock		<= 50g
<ul style="list-style-type: none"> <li>for devices without incandescent lamp / according to IEC 60068-2-27</li> </ul>		
Resistance against vibration / according to IEC 60068-2-6		20 ... 200 Hz: 5g
Operating cycles / maximum	1/h	1,000
Mechanical operating cycles as operating time / typical		10,000,000

<b>Item designation</b>		
<ul style="list-style-type: none"> <li>• according to DIN EN 61346-2</li> <li>• according to DIN 40719 extendable after IEC 204-2 / according to IEC 750</li> </ul>		S S
<b>Tightening torque / of the screws in the bracket / maximum</b>	N·m	1
<b>Ambient temperature</b>		
<ul style="list-style-type: none"> <li>• during operating</li> <li>• during storage</li> </ul>	°C °C	-25 ... +70 -40 ... +80
<b>Protection class IP</b>		IP66
<b>climatic class / during the operating phase / according to EN 60721</b>		3K6
<b>Type of mounting</b>		front mounting
<b>Shape / of the installation hole</b>		round
<b>Installation width</b>	mm	60
<b>Mounting diameter</b>	mm	22
<b>Mounting height</b>	mm	24.5
<b>Mounting depth</b>	mm	29

#### Certificates/approvals:

##### General Product Approval



CSA



GOST



UL

##### Test Certificates

[Special Test Certificate](#)

##### Shipping Approval



ABS



BUREAU  
VERITAS



DNV



LRS



PRS



RINA

##### other

[Confirmation](#)

[other](#)



UL

#### Further information:

##### Information- and Downloadcenter (Catalogs, Brochures,...)

<http://www.siemens.com/industrial-controls/catalogs>

##### Industry Mall (Online ordering system)

<http://www.siemens.com/industrial-controls/mall>

##### Cax online generator:

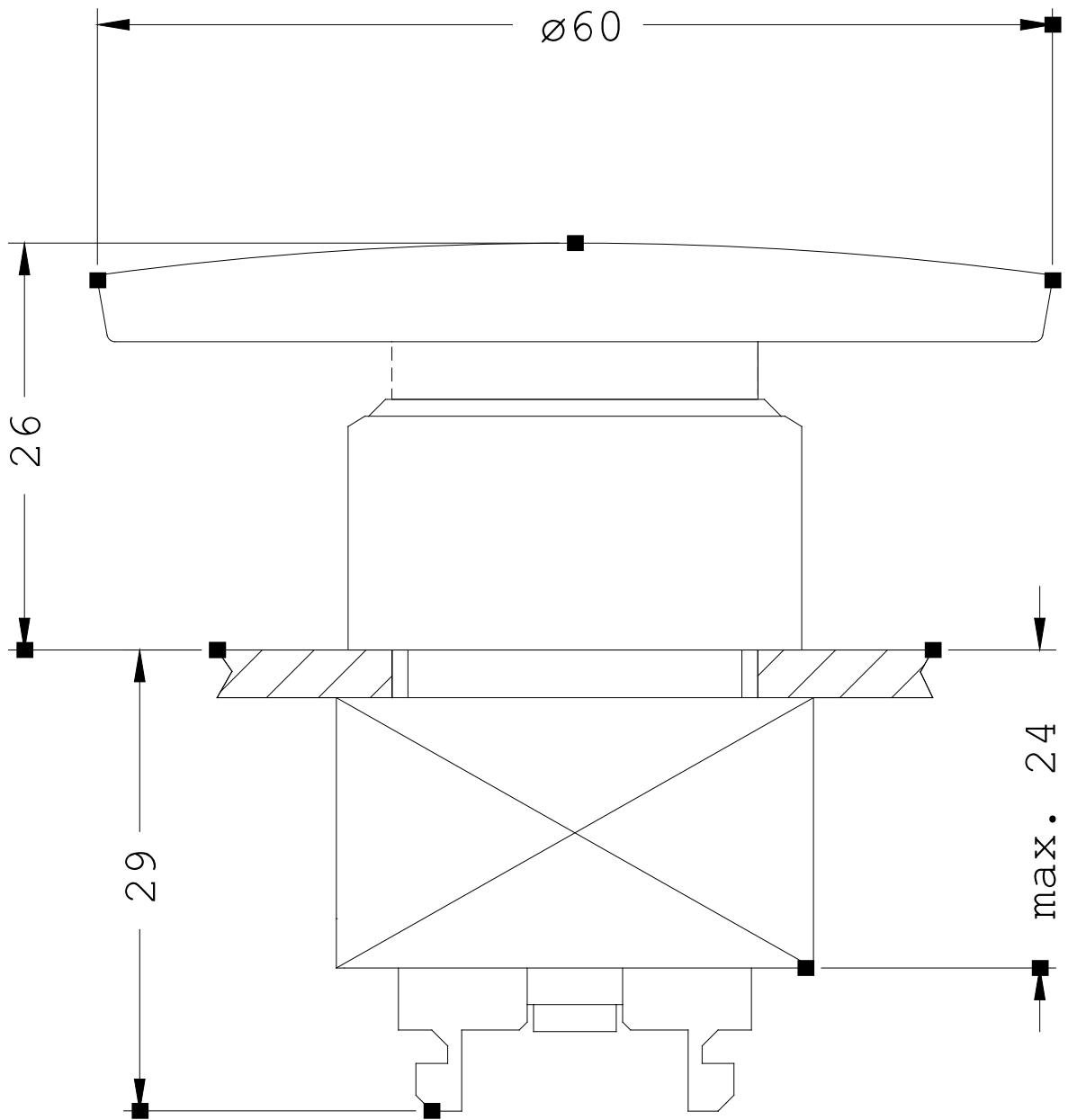
<http://www.siemens.com/cax>

##### Service&Support (Manuals, Certificates, Characteristics, FAQs,...)

<http://support.automation.siemens.com/WW/view/en/3SB3000-1QA21/all>

##### Image database (product images, 2D dimension drawings, 3D models, device circuit diagrams, ...)

[http://www.automation.siemens.com/bilddb/cax\\_en.aspx?mlfb=3SB3000-1QA21](http://www.automation.siemens.com/bilddb/cax_en.aspx?mlfb=3SB3000-1QA21)



last change:

Jul 17, 2012