



22MM PLASTIC ROUND COMPLETE UNIT
 COMBINATION: ILLUMINATED PUSHBUTTON
 MOMENTARY CONTACT TYPE WITH FLAT BUTTON
 ILLUMINATED WITH INTEGRATED LED 24V AC/DC
 SCREW TERMINAL,
 1NO WITH HOLDER YELLOW

Front ring:		
Product component / front ring		Yes
Material / of the front ring		plastic
Enclosure:		
Shape / of the housing front		round
material / of the housing		plastic
General technical details:		
Number of control points		1
Type of voltage		AC/DC
<ul style="list-style-type: none"> • of the operating voltage • of the supply voltage • of the fluorescent material 		AC/DC
Operating voltage / rated value		
<ul style="list-style-type: none"> • minimum • maximum 	V	19 30
Supply voltage / 1		
<ul style="list-style-type: none"> • of the fluorescent material • at 60 Hz / for AC / rated value 	V	24

<ul style="list-style-type: none"> • at 50 Hz / for AC / rated value • for DC / rated value 	V	24
	V	24
Design of the electrical connection		screw-type terminals
Number of switching positions		2
Product component / fluorescent materials		Yes
Product extension / optional / fluorescent materials		Yes
Resistance against shock <ul style="list-style-type: none"> • for devices without incandescent lamp / according to IEC 60068-2-27 		<= 50g
Resistance against vibration / according to IEC 60068-2-6		20 ... 200 Hz: 5g
Operating cycles / maximum	1/h	1,000
Mechanical operating cycles as operating time / typical		3,000,000
Item designation <ul style="list-style-type: none"> • according to DIN EN 61346-2 • according to DIN 40719 extendable after IEC 204-2 / according to IEC 750 		S S

Auxiliary circuit:

Number of NC contacts / for auxiliary contacts		0
Number of NO contacts / for auxiliary contacts		1
Number of change-over switches / for auxiliary contacts		0

Installation/mounting/dimensions:

Execution of the mounting		integrated LED
Type of mounting		front mounting
Shape / of the installation hole		round
Installation width	mm	28.5
Mounting diameter	mm	22
Mounting height	mm	8
Tightening torque / of the screws in the bracket / maximum	N-m	1

Ambient conditions:

Ambient temperature <ul style="list-style-type: none"> • during operating • during storage 	°C	-25 ... 70
	°C	-40 ... 80
Protection class IP		IP66

Certificates/approvals:

General Product Approval



[ROSTEST](#)



Test Certificates

[Manufacturer](#)

Shipping Approval



other

[Manufacturer](#)

Further information:

Information- and Downloadcenter (Catalogs, Brochures,...)

<http://www.siemens.com/industrial-controls/catalogs>

Industry Mall (Online ordering system)

<http://www.siemens.com/industrial-controls/mall>

CAX-Online-Generator

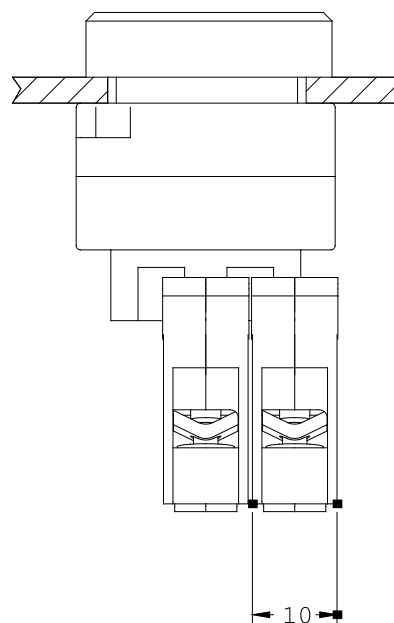
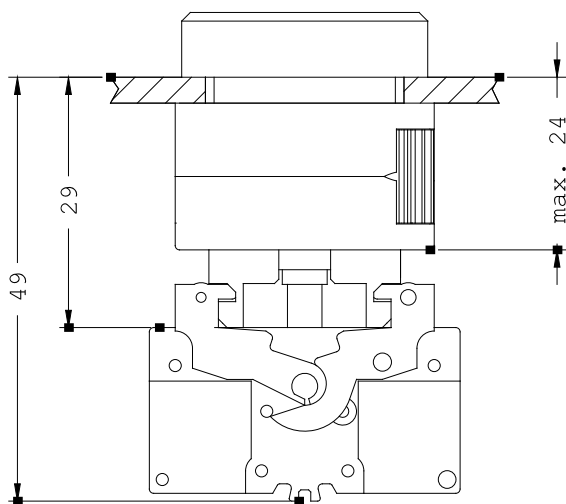
<http://www.siemens.com/cax>

Service&Support (Manuals, Certificates, Characteristics, FAQs,...)

<http://support.automation.siemens.com/WW/view/en/3SB3245-0AA31/all>

Image database (product images, 2D dimension drawings, 3D models, device circuit diagrams, ...)

http://www.automation.siemens.com/bilddb/cax_en.aspx?mlfb=3SB3245-0AA31



last change:

Oct 31, 2011