

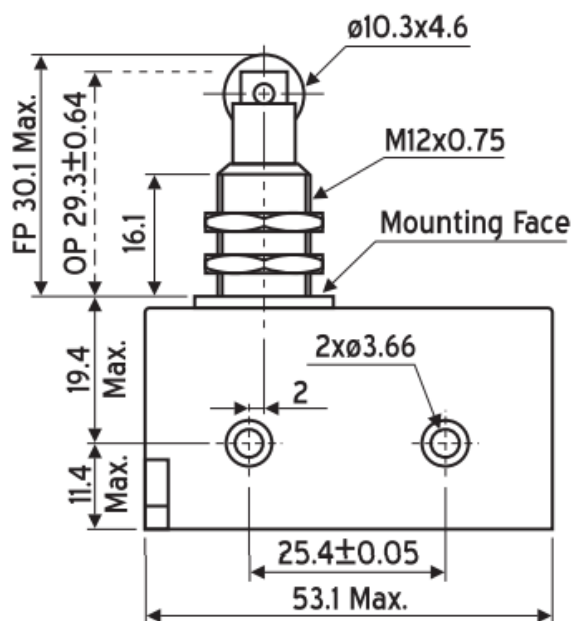
## Datasheet

### SP-CO Plunger Microswitch, 0.02 A@ 250 V dc, 0.25 A@ 250 V dc, 15 A@ 250 V ac, 5 A@ 250 V ac

RS Stock 797-2494



### Dimensions: (mm)



WIDTH 20.6 Max.



## Specifications

Characteristics	
Actuating force	283 gms. (max)
Release force	113gms. (min)
Pre-travel	0.8mm. (max)
Over-travel	3.56 mm.
Movement differential	0.05mm. (max)
Salient features	Nylon roller plunger with single hole mounting