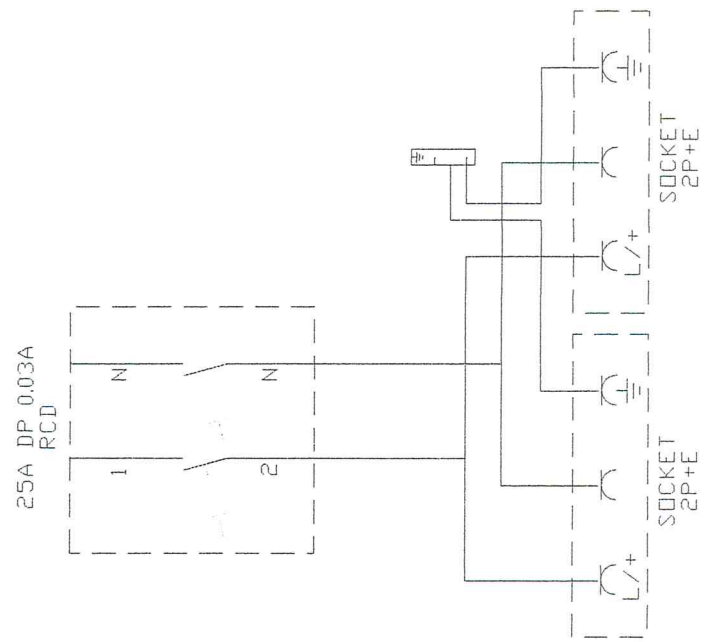
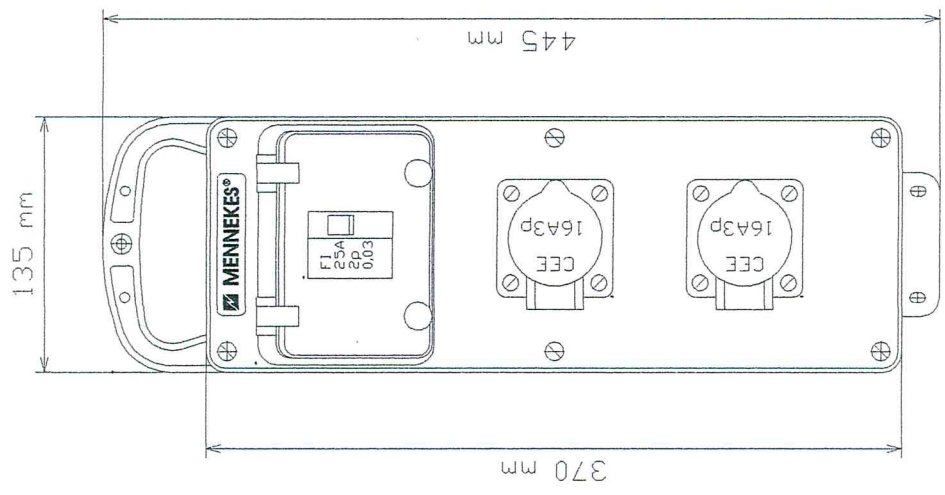


Cat. No. 52650
 Two socket outlets IP44
 110V 16A 2P + E
 protected by one 30mA RCD
 EVERGUM enclosure



QA
12

Drawing 52650
 10.05.1999
 Issue 2