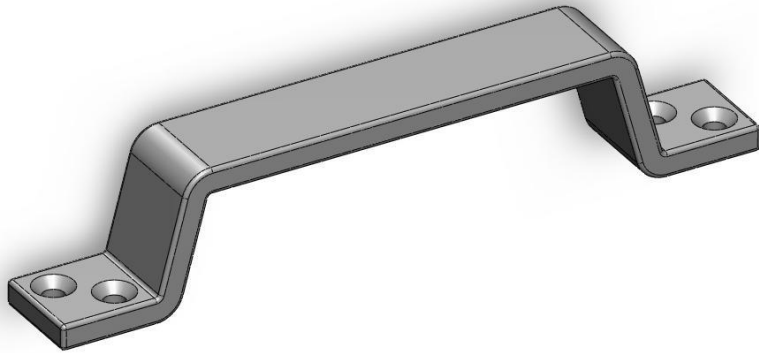


Professionally approved products.

Carry Handles

Aluminium Carry Handle



[RS Stock No.0825-578](#)

Technical Details

Description: Handle with screw holes for 5mm screws.

Weight: 0.09 kg

Material: Aluminium

Finish: Anodized

DIN: Right hand and left

Colour: Silver

