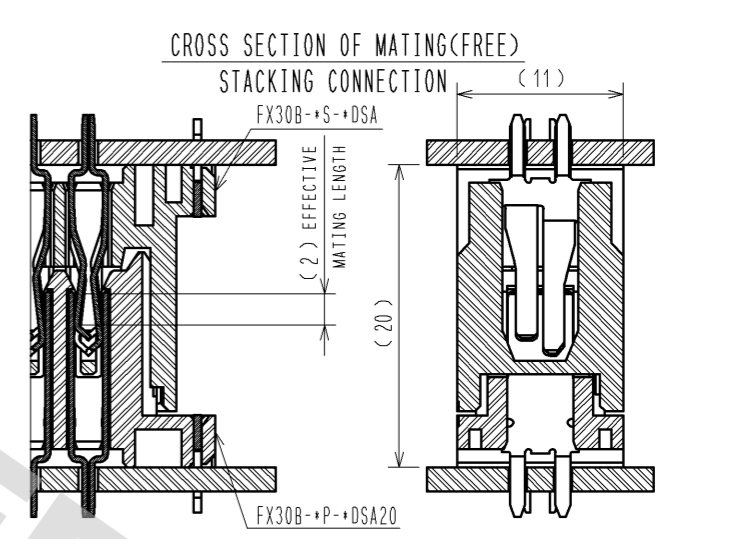
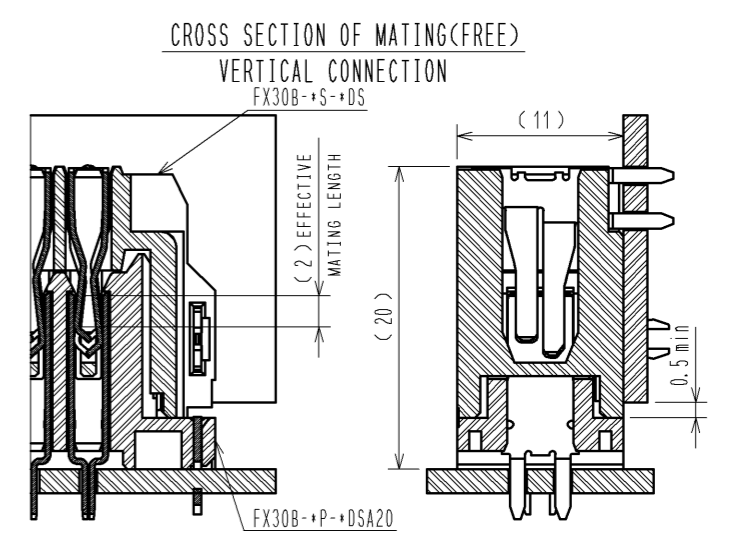
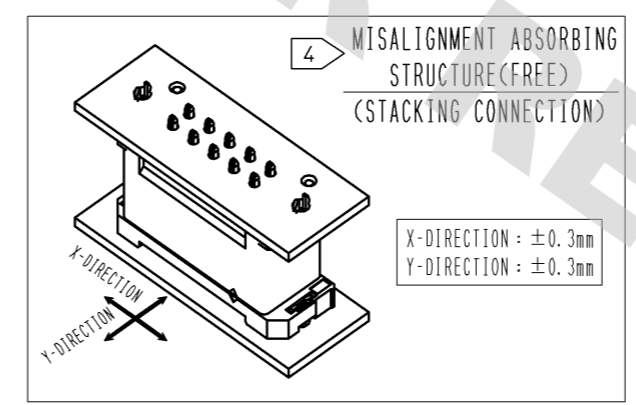
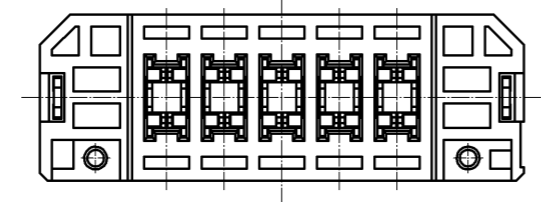
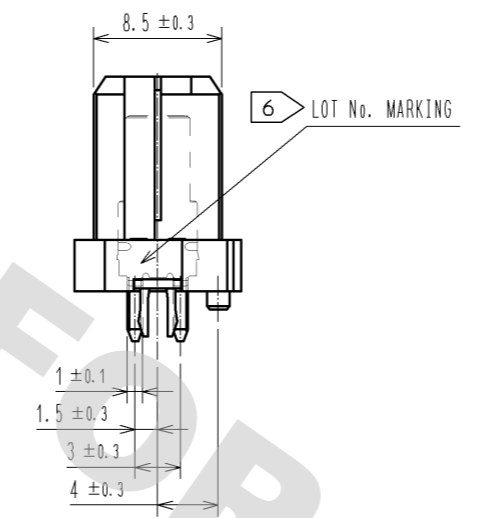
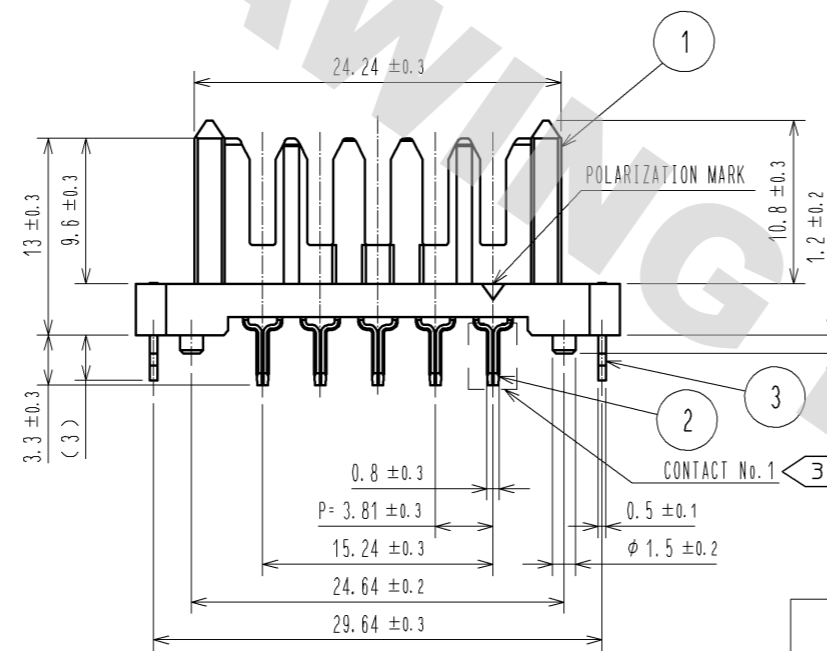
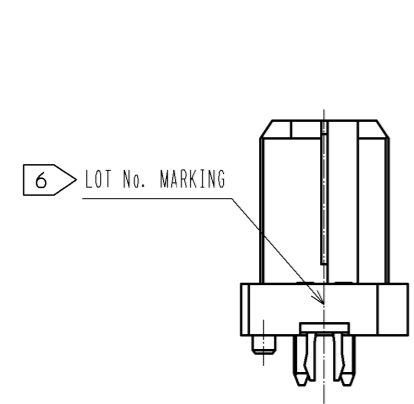
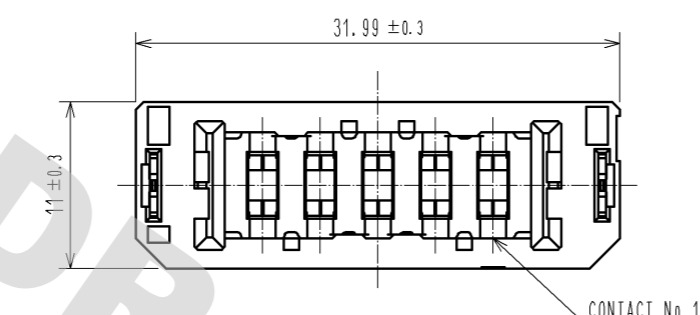


DRAWING FOR REFERENCE: This is subject to change without notice
12/05/2013

HRS

DRAWING

PRELIMINARY

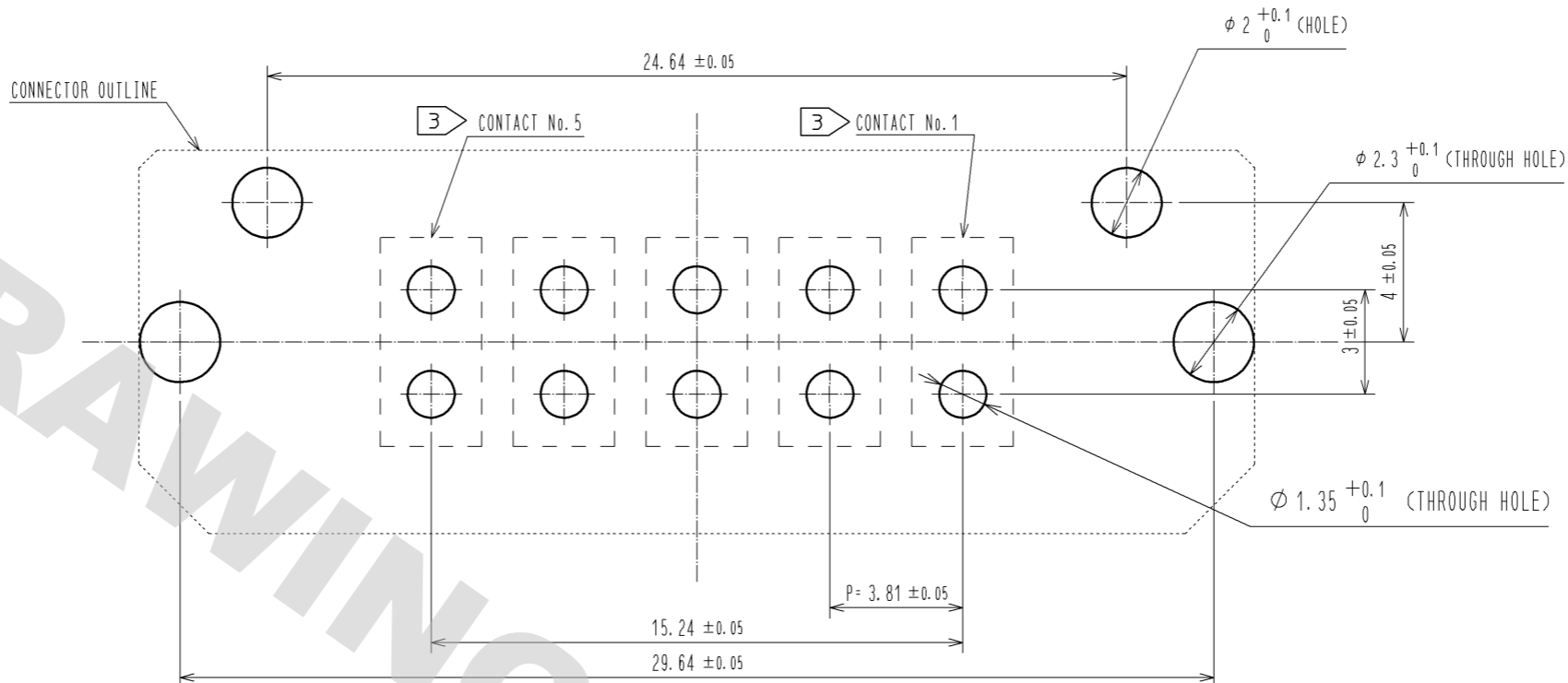


- NOTE
- ① THIS PRODUCT IS PACKAGED IN TRAY. (35pcs/TRAY)
 - ② BLEMISH AND HIT MARK CAN BE OCCURED THROUGH OUT THE MANUFACTURING PROCESS WHICH DOESN'T AFFECT QUALITY LEVEL. ALSO, BLACK SPOT COULD BE OBSERVED ON THE SURFACE OF HOUSING.
 - ③ FOR THE CONTACT NO., ADJACENT TWO PAIRS OF LEADS PLACED BACK-TO-BACK (4 LEADS IN TOTAL) COMPOSE ONE LINE.
 - ④ MISALIGNMENT ABSORBING RANGE: ± 0.3mm max.
 - ⑤ THE DIMENSION IN PARENTHESES ARE FOR REFERENCES.
 - ⑥ LOT NO. IS INDICATED AT EITHER ONE OF THE POSITION AS SHOWN.

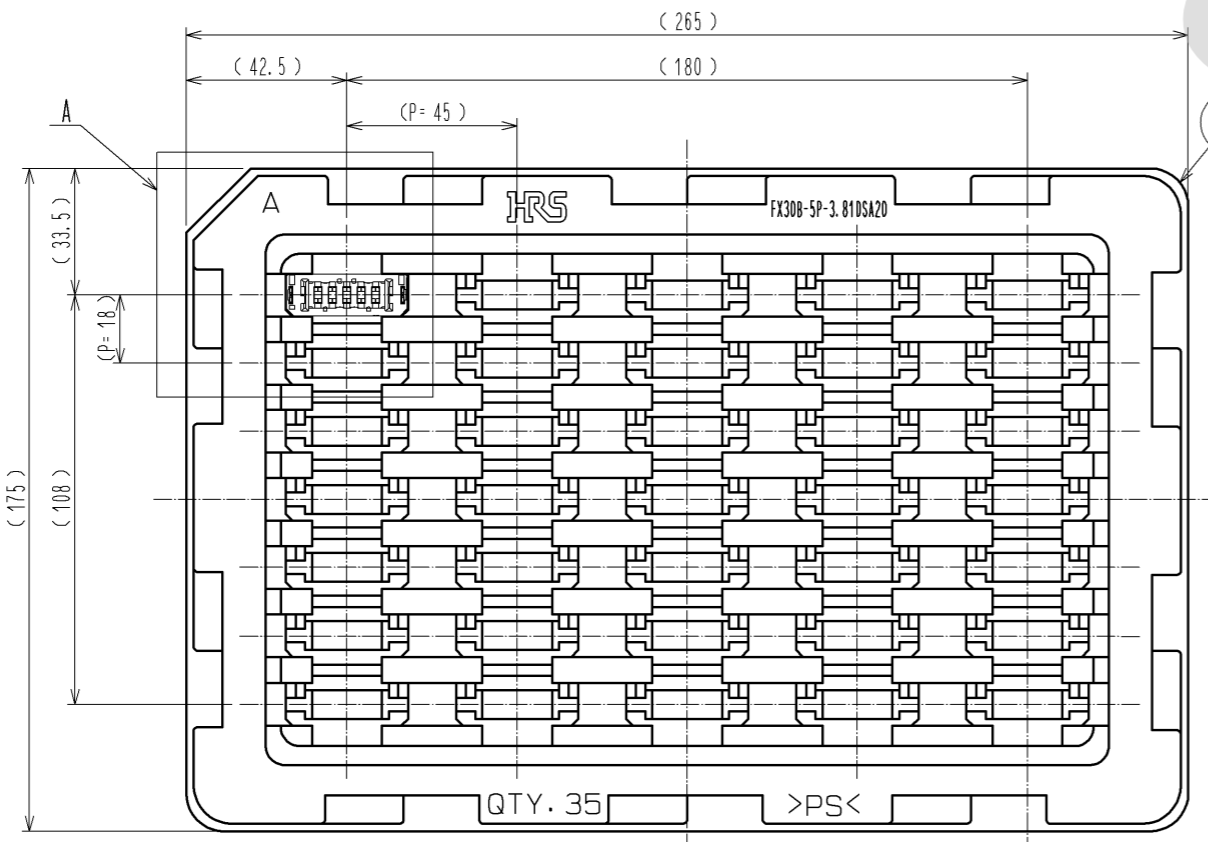
2	COPPER ALLOY	CONTACT AREA:GOLD-PLATING 0.1 μm	4	POLYSTYRENE			
		LEAD AREA:TIN-PLATING 1.0 μm					
		UNDER PLATING:NICKEL 1.0 μm	3	PHOSPHOR BRONZE	TIN-PLATING 3.0 μm		
1	POLYAMIDE	BLACK UL94V-0			UNDER PLATING:NICKEL 1.0 μm		
NO.	MATERIAL	FINISH . REMARKS	NO.	MATERIAL	FINISH . REMARKS		
UNITS	⊙	SCALE	COUNT	DESCRIPTION OF REVISIONS	DESIGNED	CHECKED	DATE
mm		2 : 1	2	DIS-F-006956	DK. AIMOTO	KI. HIROKAWA	13. 08. 26
APPROVED : HS. OKAWA		13. 03. 13	DRAWING NO.		EDC3-347258-00		
CHECED : KI. HIROKAWA		13. 03. 12	PART NO.		FX30B-5P-3. 81DSA20		
DESIGNED : DK. AIMOTO		13. 03. 11	CODE NO.		CL570-3103-1-00		
DRAWN : DK. AIMOTO		13. 03. 11					

DRAWING FOR REFERENCE: This is subject to change without notice
12/05/2013

RECOMMENDED HOLE PATTERN DIMENSION OF PCB(5:1)
(CONNECTOR MOUNTING SIDE, PCB THICKNESS: t=1.6mm)

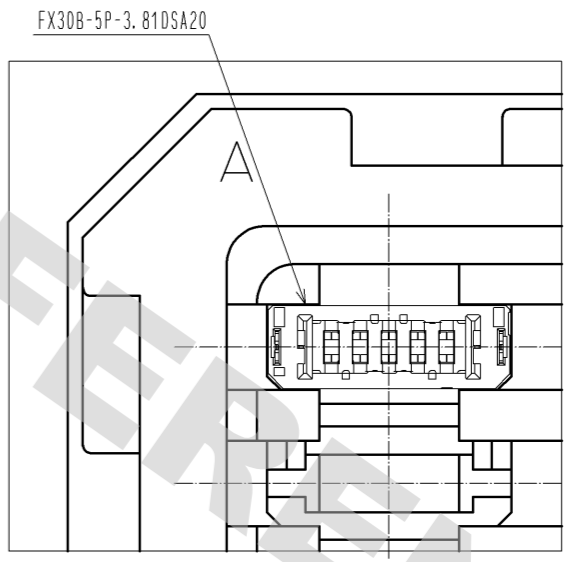


1 DRAWING FOR PACKAGING(1:2)



4

A(1:1)



HRS	DRAWING NO.	EDC3-347258-00	1/2
	PART NO.	FX30B-5P-3.81DSA20	
	CODE NO.	CL570-3103-1-00	