

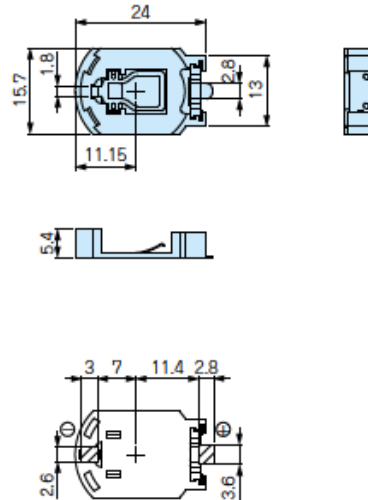
CH7410 - 2032LF Type Coin Cell Holder

- Suitable for use in lead free reflow soldering due to heat resistant glass fibre filled LCP material



CONFIGURATION DESCRIPTION

Holder Material	PPS (UL94 V-0)
Terminal Material	Phosphor Bronze
Terminal Surface Treatment	Gold Plate



TYPE NO.	APPLY BATTERY	TERMINAL STRUCTURE	COLOUR	OWN WEIGHT (G)	SALES UNIT NUMBERS	STANDARD PRICE
CH7410-2032LF	CR2032 x 1	Surface Mount x 2	Brown	0.5	1	150
CH7410-203LF - T	CR2032x2	Surface Mount x 2	Brown	-	100 Tray	5,620

NOTE

Please be careful not to damage the holder when taking out the battery. We recommend using a fine tipped stick or flat head screwdriver as shown below.

How to replace a coin cell

