

TEBM130H10-8 Rectangular BMR Driver

✓RoHS
COMPLIANT



Features

- Wide bandwidth and wide directivity
- Nominal Impedance: 8 ohm
- Dimensions: 131mm x 29mm
- Thickness: 29.3mm
- Mass: 95g

Applications

- Flat TV speakers
- Sound bars and stands
- Whiteboards

Description

The TEBM130H10-8 Rectangular BMR[®] is an audio drive unit with an extended frequency response and wide directivity compared with a conventional drive unit. It combines the benefits of Tectonic Elements bending-wave technology and pistonic modes of operation.

The narrow form-factor is ideally suited for thin flat-panel audio applications that require a full-range, high performance acoustic solution.

Parameters

Parameter	Description	min	typ	max	Units
R_e	DC resistance	-5%	6.7	+5%	Ohms
L_e	Inductance (@ 10kHz)	-10%	0.21	+10%	mH
BL	Force factor	-	3.1	-	Tm
f_s	Resonant frequency	-10%	144	+10%	Hz
SPL	Sound Pressure Level @ 1W, 1m	-	78	-	dB
dDrv	Voice coil diameter	-	16.4	-	mm
M_{ms}	Moving mass	-	3.56	-	g
C_{ms}	Compliance	-	0.35	-	mmN ⁻¹
R_{ms}	Suspension Loss	-	0.81	-	Nsm ⁻¹
$X_{mech\ max}$	Maximum coil excursion (p-p)	-	8.0	-	mm
Sd	Effective piston area	-	25.2	-	cm ²
V_{AS}	Equivalent volume	-	0.35	-	L
Q_{ms}	Mechanical quality factor	-	4.0	-	
Q_{es}	Electrical quality factor	-	2.5	-	
Q_{ts}	Total quality factor	-	1.53	-	

Operating conditions

Condition	Value
Continuous power handling (weighted pink noise)	10W
Operating temperature range	-20 to 55° C
Audio frequency range	100Hz to 20kHz

Response

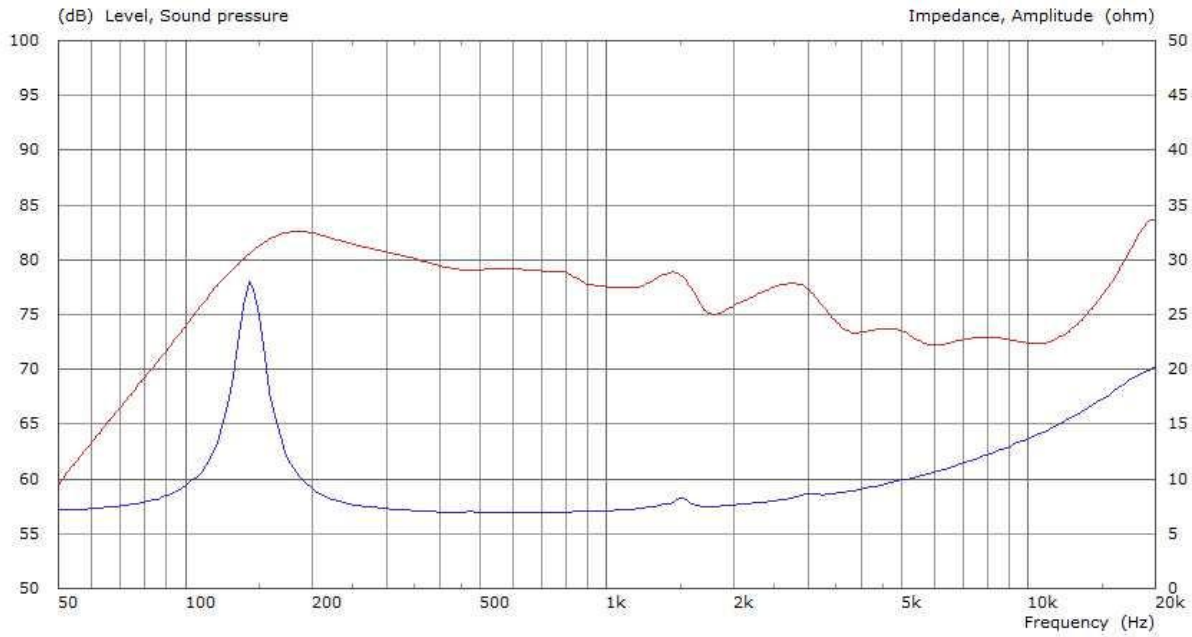


Figure 1. Red: Spliced on-axis SPL (1/3-octave) at 1 W, 1.0 m. Blue: Impedance

Outline Drawing

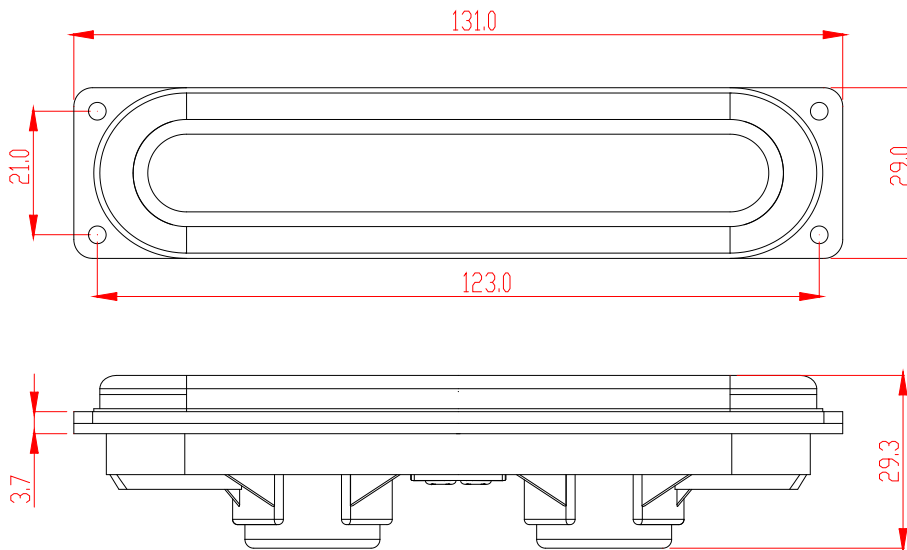


Figure 2. Nominal dimensions