

THIS DRAWING IS UNPUBLISHED.

RELEASED FOR PUBLICATION

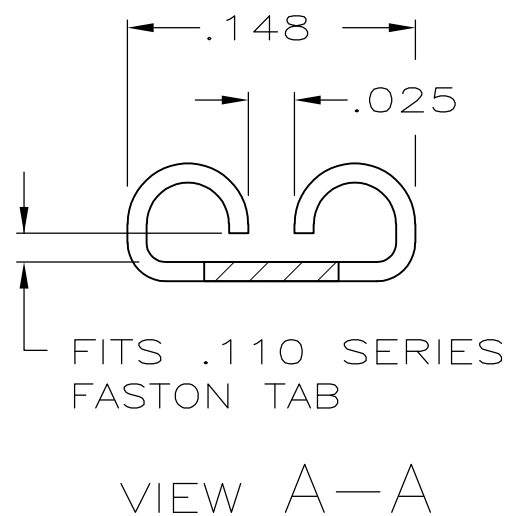
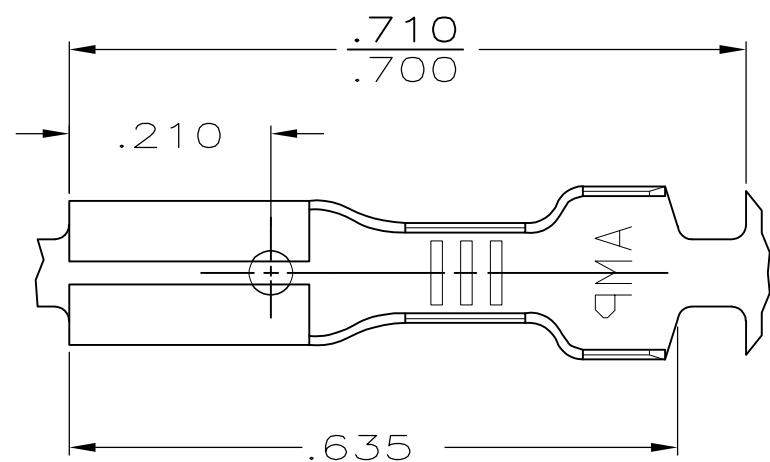
© COPYRIGHT - By -

ALL RIGHTS RESERVED.

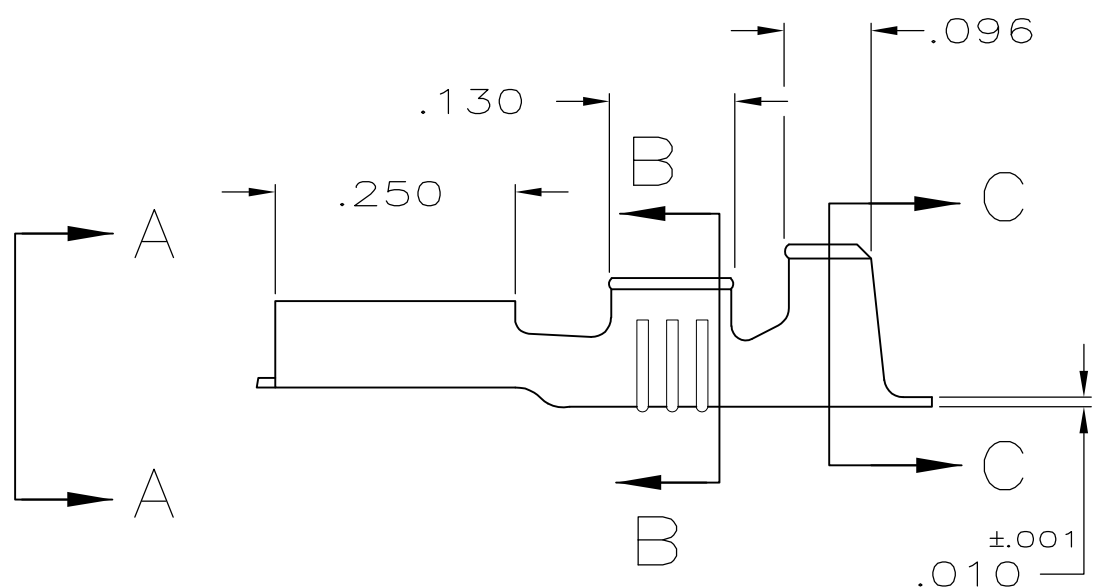
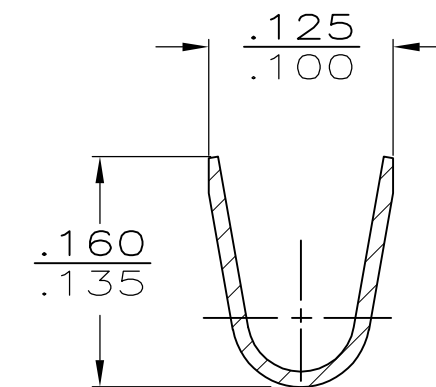
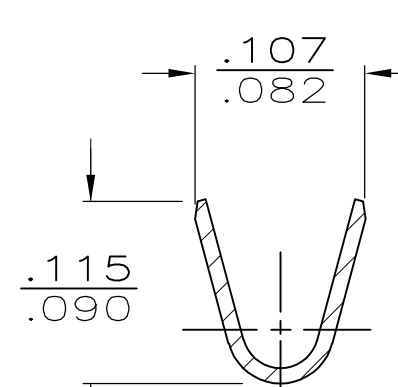
LOC AF DIST 50

REVISIONS

P	LTR	DESCRIPTION	DATE	DWN	APVD
	AM1	REVISED PER ECO-11-004587	11MAR11	RK	HMR



1 CONTINUOUS STRIP ON REELS.



OBSOLETE	SILVER	#4H BRASS	.060-.100	22-18	.020	42068-6
OBSOLETE	GOLD	#4H BRASS	.060-.100	22-18	.020	42068-5
OBSOLETE	TIN	#4H PHOS BRZ	.060-.100	22-18	.020	42068-4
OBSOLETE	---	#4H PHOS BRZ	.060-.100	22-18	.020	42068-3
	PRE-TIN	#4H BRASS	.060-.100	22-18	.020	42068-1
	---	#4H BRASS	.060-.100	22-18	.020	42068-0
	FINISH	MATERIAL	INSUL RANGE	WIRE SIZE	TAB ^{±.001} THK	PART NO

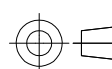
THIS DRAWING IS A CONTROLLED DOCUMENT.

DWN 6/23/87



DIMENSIONS: INCHES

TOLERANCES UNLESS OTHERWISE SPECIFIED:



0 PLC	± -
1 PLC	± -
2 PLC	± -
3 PLC	± .015
4 PLC	± -
ANGLES	± -

MATERIAL SEE TABLE

FINISH SEE TABLE

CHK	-
APVD	-
PRODUCT SPEC	-
APPLICATION SPEC	-
WEIGHT	-

RECEPTACLE, FASTONTM.110 SERIES

SIZE	CAGE CODE	DRAWING NO	RESTRICTED TO
A3	00779	C-42068	-

CUSTOMER DRAWING SCALE NTS SHEET 1 OF 1 REV AM1